

# **McHale** ENGINEERING LTD.



## **HS2000 Bale Wrapper Spare Parts Manual**

### **Issue 3**

McHale Engineering Limited,  
Castlebar Rd, Ballinrobe,  
Co. Mayo, Ireland.  
Tel: +353 94 9520300  
Fax: +353 94 9520356  
Email: [sales@mchale.net](mailto:sales@mchale.net)  
Website: [www.mchale.net](http://www.mchale.net)



[www.edanex.pl](http://www.edanex.pl)

This page is intentionally left blank

---

## Introduction

---

The **McHale HS2000 round bale wrapper** which you have purchased has been developed through years of constant research and development. Given proper care and attention the **HS2000** will give years of reliable and dependable performance. However it is important that the operators manual is read and fully understood to achieve this, **before** the machine is operated. As part of this philosophy it is vital to use only **genuine Mchale** replacement parts, as these are manufactured to the same standard as the original machine. These may be obtained through your **McHale** dealer.

If any part of this manual is not fully understood please contact your **McHale** dealer who will be able to answer any questions you may have. It is important to quote the machine serial number when requiring spare parts or technical assistance. Space is provided below to record machine details:

<b>Serial number:</b>	
<b>Year of manufacture:</b>	
<b>Date of delivery:</b>	

If you require further copies of this parts manual  
please quote part number: CLT00028

Due to a policy of continuous product development and improvement, Mchale Engineering Ltd. reserve the right to alter machine specifications without prior notice.

---

[www.edanex.pl](http://www.edanex.pl)

This page is intentionally left blank

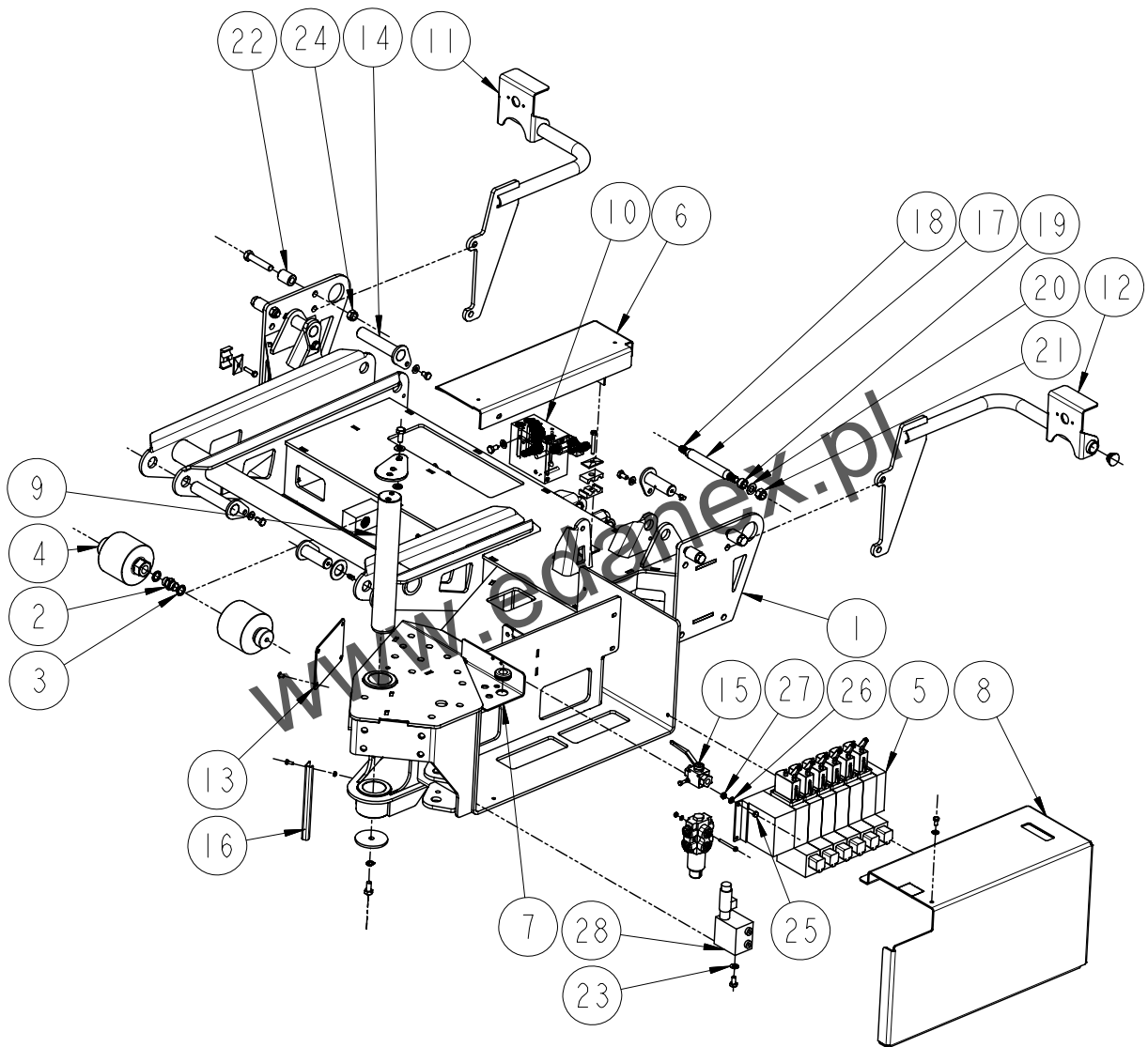
---

# Contents

---

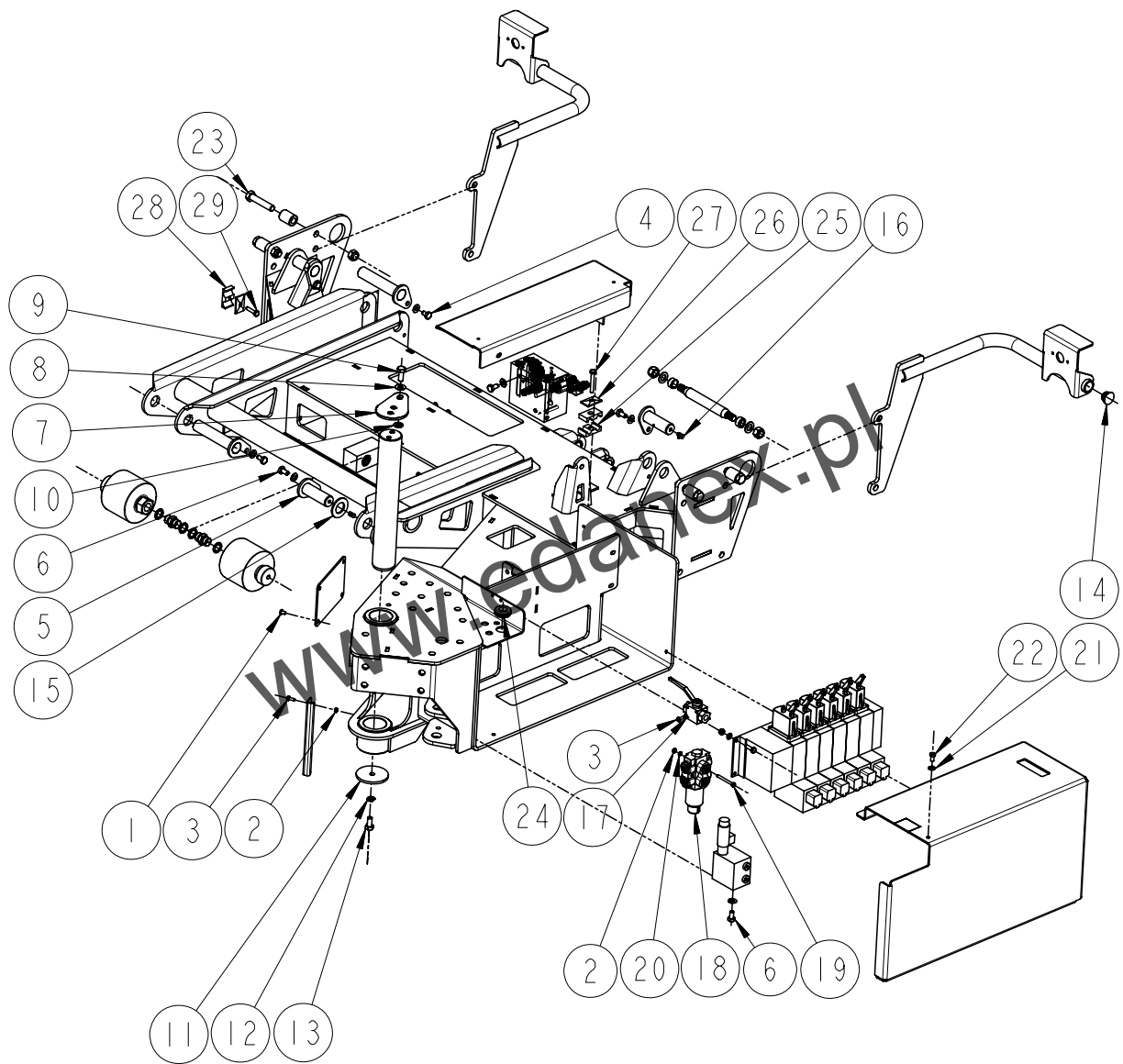
<b><u>Title</u></b>	<b><u>Page</u></b>
Chassis Part 1	6
Chassis Part 2	8
Stub Axle	10
Wheel Assembly	10
Arch & Spare Film Roll Holder	12
Dispenser Drive	14
Dispenser Reduction	16
Dispenser	18
Cut & Hold Left Hand Bottom	20
Cut & Hold Right Hand Bottom	22
Cut & Hold Top Section	24
Main & Side Liftarm	26
Table Part 1	28
Table Part 2	30
Drawbar	32
Hydraulic Control Valve	34
Electronic Components 1	38
Electronic Components 2	40
Lighting	42
Decals	44
Hydraulic Hosing Diagram	46
HS2000 Optional Extra Parts Contents	49
Notes	66

Parts described as left and right are done so according to the direction that the machine normally travels in. For example the drawbar side of the machine is the left hand side.



# **CHASSIS PART 1**

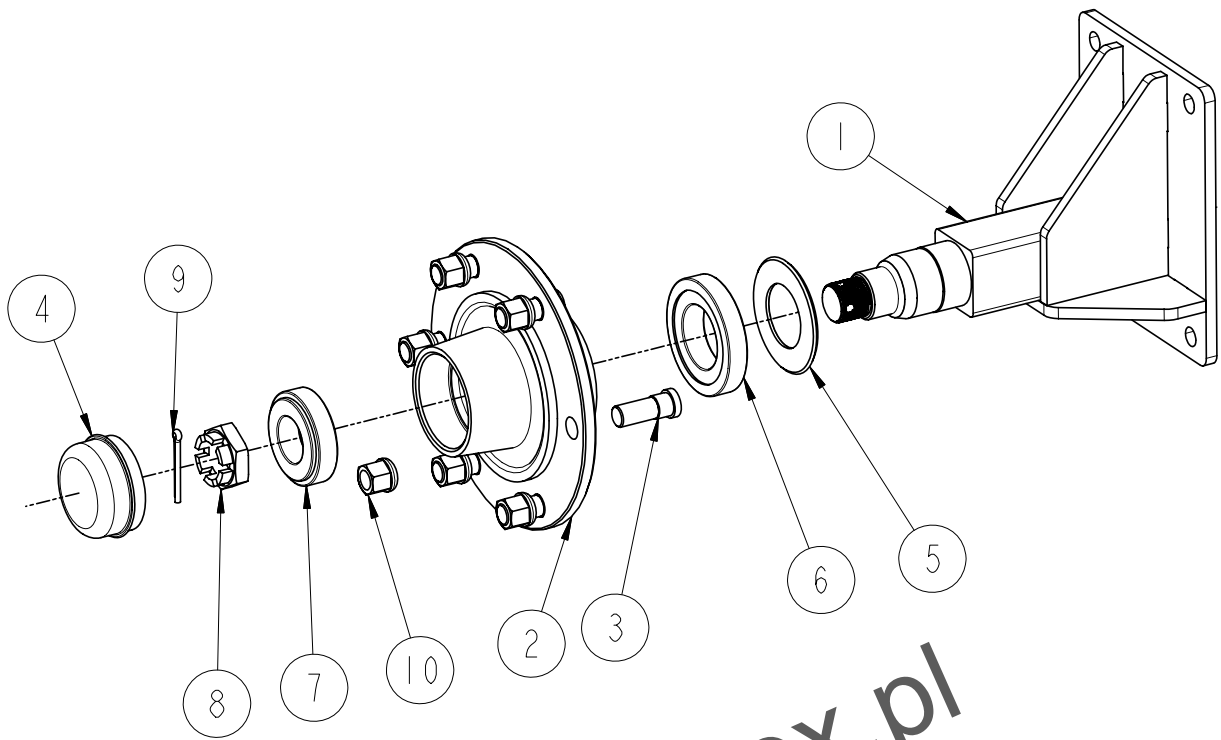
Item	Part Code	Description	Qty
1	ACH00067	CHASSIS COMBI 2000	1
2	CHY02013	ADAPTOR 1/2" BSP M/M	2
3	CHY00053	WASHER DOWTY 1/2"	4
4	CVA03011	ACCUMULATOR 0.7 LITRE 70 BAR	2
5	CVA00069	VALVE CTL 6 BANK HS2000	1
6	CZD02168	4MM L VALVE GUARD COMBI 2000	1
7	CZD02170	4MM L VALVE GUARD PART COMBI 2000	1
8	CZD02169	4MM L VALVE GUARD COMBI 2000	1
9	CMH00067	PIN 60X398&3XM12 THREADS	1
10	CVA00091	VALVE CUT&HOLD COMBI2000	1
11	ACH00146	LIGHT BRACKET RIGHT HAND COMBI 2000	1
12	ACH00147	LIGHT BRACKET LEFT HAND COMBI 2000	1
13	CZD02176	4MM L COVER PLATE COMBI 2000 CHASSIS	1
14	ABS00010	BALE SPLITTER PIN RAM TO FRAME	2
15	CVA03109	VALVE ON/OFF 3/8" BALL TYPE	1
16	CZB02072	1.5MM L HOSE GUARD HS2000	1
17	ACH00346	BOLT 25MM EXPANDER 160MM	1
18	CMH00670	PIN 25X160 STEPPED EXPANDER	1
19	CMH00424	BUSH 17X25X12 TAPPERED	2
20	CFA00140	WASHER FLAT 16MM Z/P	2
21	CFA00386	NUT M16X1.5 NYLOC 10 DIN 985	2
22	CMH00701	BUSH 16X30X40 HS 2000 C&H	4
23	CFA00251	WASHER SKM10	9
24	CFA00128	NUT M16 NYLOC	4
25	CFA00102	SETSCREW M8X25 Z/P	4
26	CFA00147	WASHER FLAT 8MM Z/P	4
27	CFA00132	NUT M8 NYLOC Z/P	4
28	CVA00094	VALVE ON/OFF CTE ASY NC	1



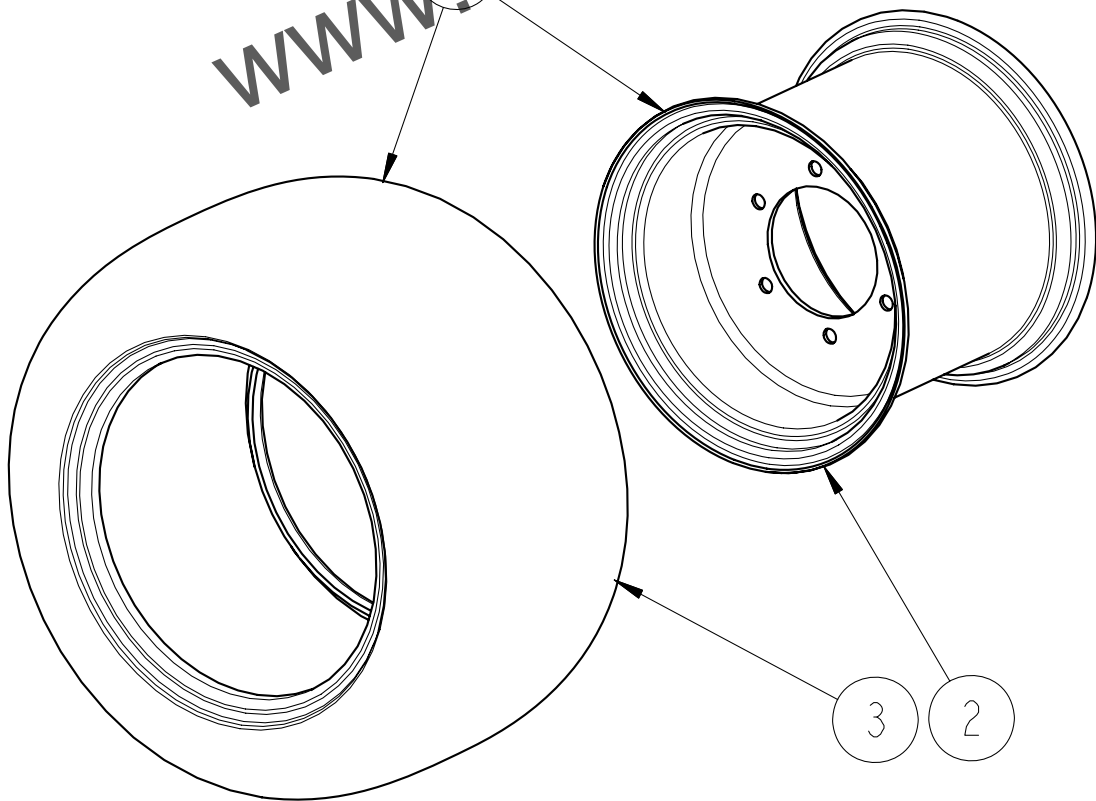


## **CHASSIS PART 2**

<b>Item</b>	<b>Part Code</b>	<b>Description</b>	<b>Qty</b>
1	CFA00447	SETSCREW M8X10 BUTTON HD Z/P	4
2	CFA00131	NUT M6 NYLOC	4
3	CFA00454	SETSCREW M6 X 16 Z/P	4
4	CFA00022	SETSCREW M10X16 Z/P	1
5	ABS00011	PIN 30X90&M8 THREAD+WELD LUG	3
6	CFA00023	SETSCREW M10X20 Z/P	8
7	CZF00129	6MM L COMBI CHASSIS	1
8	CFA00250	WASHER SKM12	2
9	CFA00032	SETSCREW M12X30 Z/P	3
10	CFA00138	WASHER FLAT 12MM Z/P	3
11	CZF02105	6MM L WASHER 85 X 6 X 12.5	1
12	CFA00207	WASHER SPRING 12MM Z/P	1
13	CFA00031	SETSCREW M12X25 Z/P	1
14	CBC00010	CAP PLAS INSERT 1"	2
15	CFA00143	WASHER FLAT 30MM HD Z/P	1
16	CFA00062	GREASE NIPPLE M8X1.25X90 DEGREE	3
17	CFA00396	WASHER SPRING M6 Z/P	2
18	CVA00068	VALVE DIVERTER 3/8" 6WAY 12V	1
19	CFA00054	SETSCREW M6X60 Z/P	2
20	CFA00144	WASHER FLAT 6MM Z/P	2
21	CFA00249	WASHER SKM8	7
22	CFA00101	SETSCREW M8X16 Z/P	7
23	CFA00498	BOLT M16 X 80 Z/P	4
24	CFA00448	GROMMET 22MMX6MM	1
25	CFA00374	HOSE CLAMP 14MM (2 PER SET)	2
26	CFA00183	HOSE CLAMP COVER PLATE 14MM	2
27	CFA00340	BOLT M8X60 Z/P	1
28	CFA00370	HOSE CLAMP 18MM (2 PER SET)	1
29	CFA00055	BOLT M8X35 Z/P	1



[www.edanex.pl](http://www.edanex.pl)



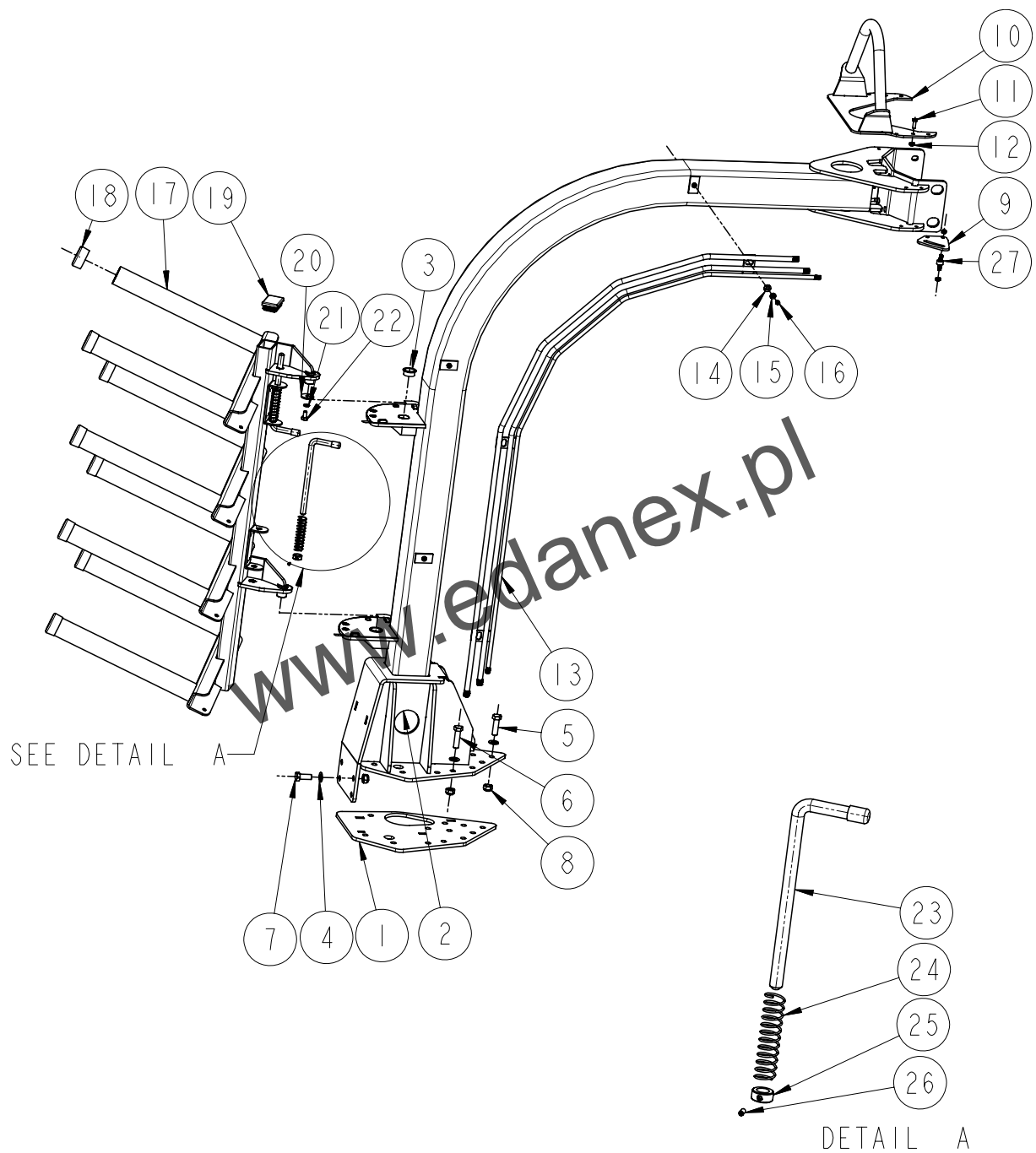
---

## **STUB AXLE**

Item	Part Code	Description	Qty
1	CAX00045	AXLE STUB PART COMBI 2000	1
2	CAX00034	WHEEL HUB 6 STUD (FAD)	1
3	CFA00235	WHEEL STUD M18X1.5 (FAD)	6
4	CAX00037	HUB CAP (FAD) 80MM OD	1
5	CSE00109	HUB SEAL 100 X 55 FAD	1
6	CBR00041	BEARING 30211	1
7	CBR00095	BEARING 30208A	1
8	CFA00394	NUT CASTLE 33 X 50	1
9	CFA00013	SPLIT PIN 5X50 Z/P	1
10	CFA00121	NUT WHEEL M18 6 STUD AXLE	6

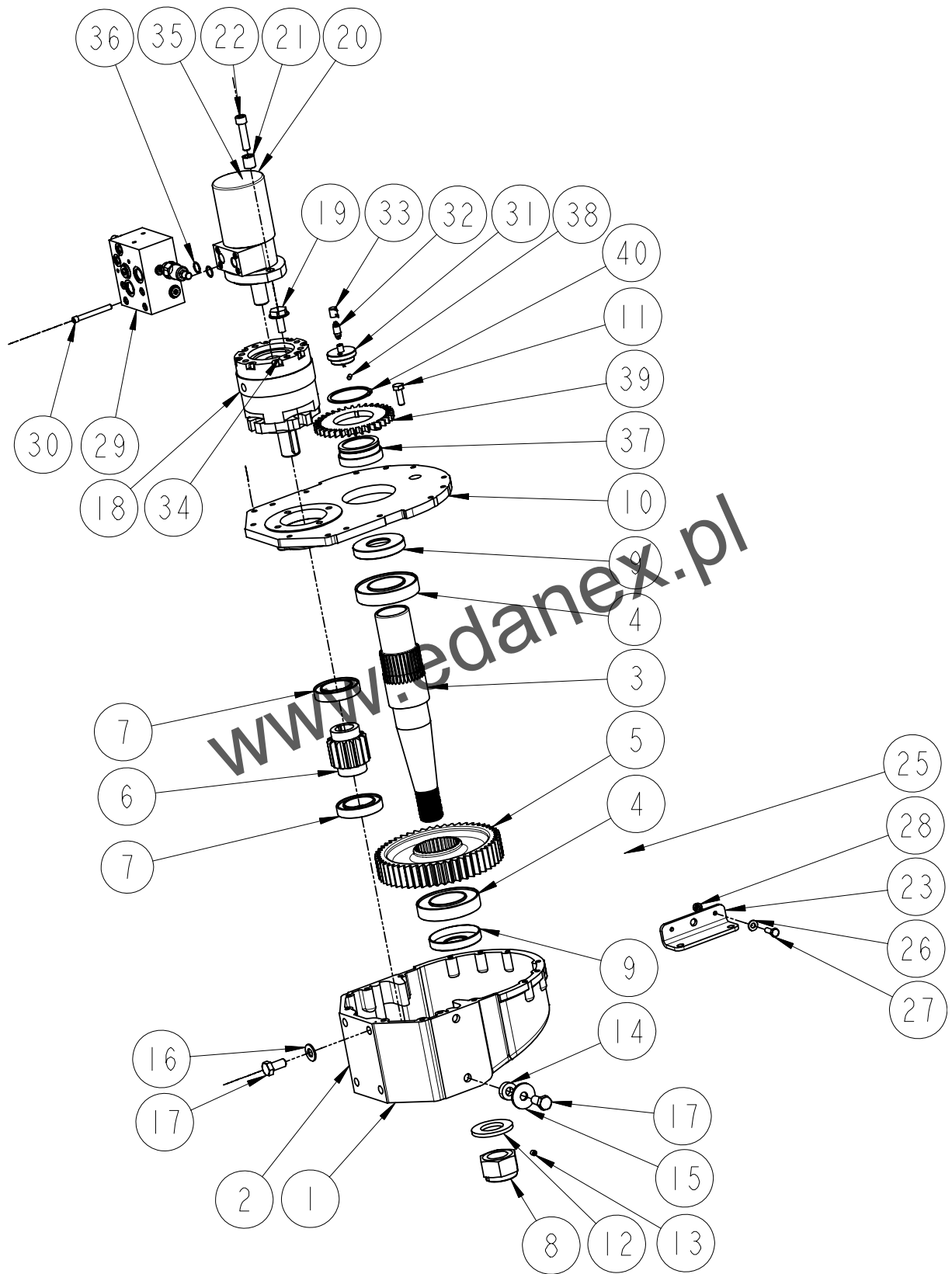
## **WHEEL ASSEMBLY**

Item	Part Code	Description	Qty
1	CWH00022	WHEEL ASY 350/50-16 FLOTATION+	1
2	CWH00048	WHEEL RIM 16X11 SIX STUD	1
3	CWH00047	TYRE 350/50-16 FLOTATION+	1



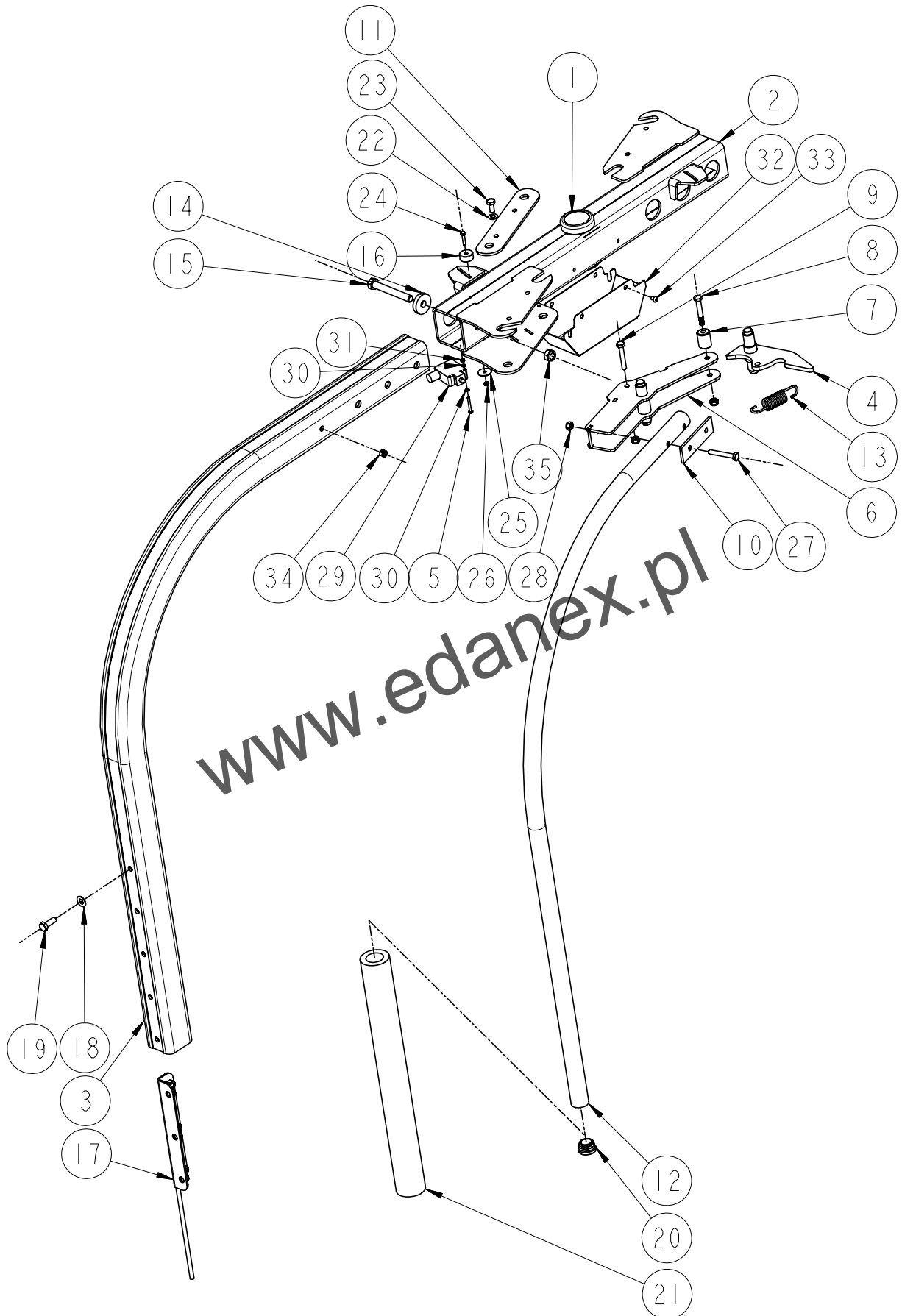
# **ARCH & SPARE FILM ROLL HOLDER**

Item	Part Code	Description	Qty
1	CZH02187	10MM L COMBI 2000 CHASSIS / ARCH BRACKET	1
2	ACH00108	DISPENSER ARCH ASSY MKII COMBI 2000	1
3	CBR00068	BEARING 30X34X16 STEPPED PLAS	2
4	CFA00140	WASHER FLAT 16MM Z/P	16
5	CFA00315	BOLT M16X55	10
6	CFA00409	BOLT M16 X 60 Z/P	2
7	CFA00151	SETSCREW M16X40 Z/P	4
8	CFA00128	NUT M16 NYLOC	16
9	CZF02339	6MM L SENSOR BRACKET COMBI 2000	1
10	ATR00018	TOP REDUCTION GUARD	1
11	CFA00102	SETSCREW M8X25 Z/P	4
12	CFA00132	NUT M8 NYLOC Z/P	8
13	CHY02024	STEEL PIPE ASSY ACH00108 COMBI 2000	1
14	CFA00251	WASHER SKM10	3
15	CFA00249	WASHER SKM8	3
16	CFA00292	SETSCREW M8X10 SOC CAP ZP	3
17	ADB00028	SPARE FILM HOLDER	1
18	CBC00007	CAP BLACK PLASTIC 2.3/8" OSF	8
19	CBC00021	CAP SQ PLASTIC INSERT 80 X 50	2
20	CZD00118	4MM L CUT& TIE SPACER	2
21	CFA00137	WASHER SPRING 10MM H.D Z/P	2
22	CFA00018	SETSCREW M10X20	2
23	CMH00753	PIN 16X335 CHAMFER BENT 90 ZP	2
24	CSG00039	SPRING COMP 2.15X 21X 125X 14	2
25	CMH00784	BUSH 16X28X15& M6 THREAD Z/P	2
26	CFA00563	GRUBSCREW M6X12 DIN916 Z/P	2
27	CBE00027	MOUNT RUBBER 20 X 11 X M8 X 20	2



# **DISPENSER DRIVE**

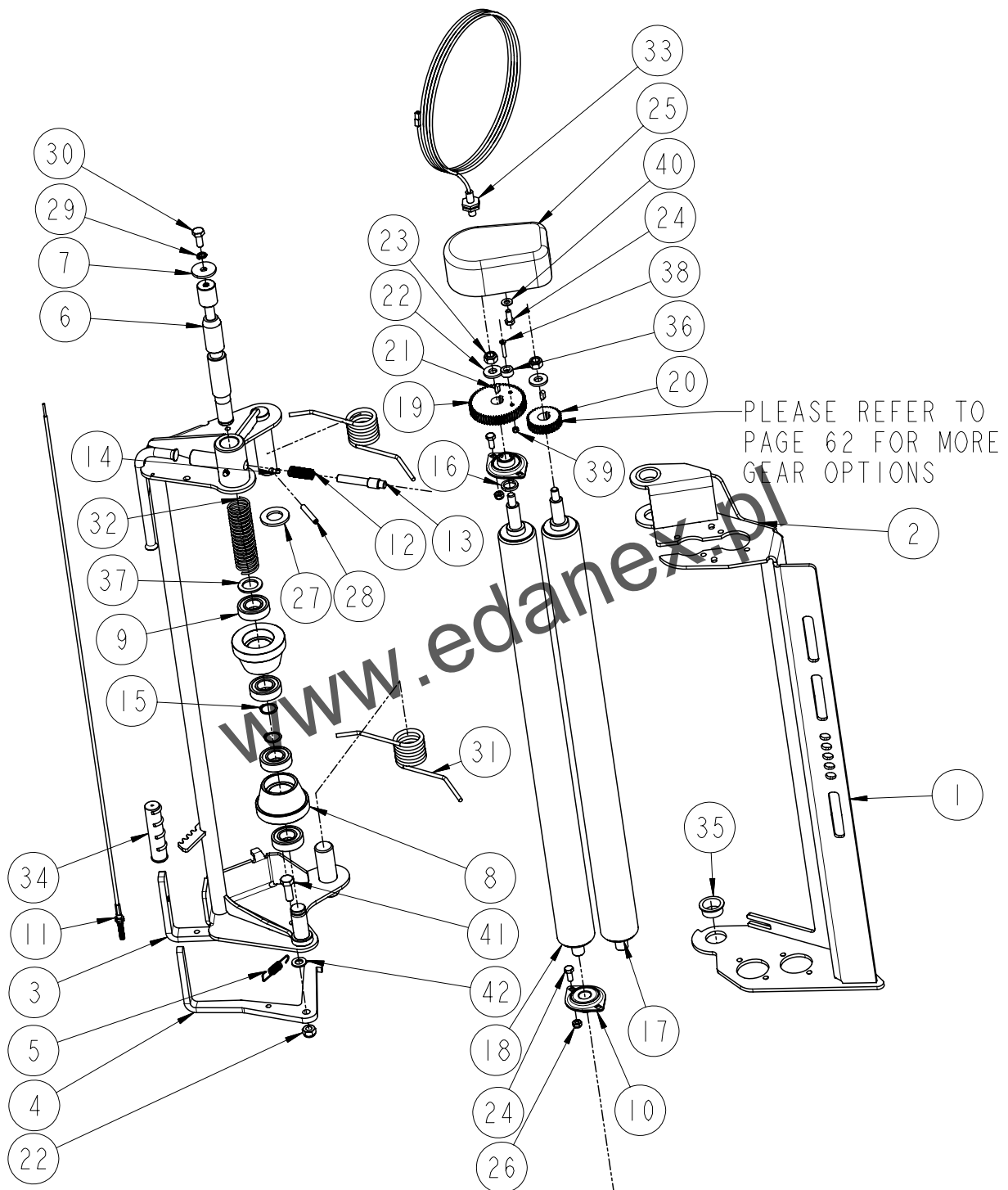
Item	Part Code	Description	Qty
1	CMT00033	GEARBOX DISPENSER ROTATION	1
2	CMT00034	GEARBOX CASTING TOP/REDU.C2000	1
3	CMT00035	GEARBOX SHAFT TOP/REDU.C2000	1
4	CBR00048	BEARING 6212	2
5	CMH00410	GEAR SPUR COMBI GEARBOX	1
6	CMH00409	GEAR SPUR XM 14T COMBI GEARBOX	1
7	CBR00047	BEARING SNR 6010	2
8	CFA00411	NUT COMBI GEARBOX	1
9	CSE00095	SEAL GEARBOX COMBI	2
10	CMT00040	GEAR BOX COVER PLATE COMBI	1
11	CFA00025	SETSCREW M10X30	13
12	CFA00412	WASHER 39X72X6	1
13	CFA00051	GRUBSCREW M8X10	1
14	CZH02210	10MM L WASHER 15X30X10	2
15	CZD02166	4MM L WASHER 14X45X4	2
16	CFA00449	WASHER SKM14	6
17	CFA00398	SETSCREW M14X30 Z/P	8
18	CMT00004	BRAKE UNIT HYDRAULIC	1
19	CFA00276	SETSCREW M12X30 FLD ZP	4
20	CMT00071	MOTOR 165CC 2BOLT 25SHAFT	1
21	CMH00756	BUSH 12X20X20	2
22	CFA00535	BOLT M12 X 50 SOC	2
23	CZF02358	6MM L SENSOR BRACKET COMBI 2000	1
24	CFA00025	SETSCREW M10X30	1
25	CZD02171	4MM L SENSOR GUARD COMBI 2000	1
26	CFA00249	WASHER SKM8	2
27	CFA00102	SETSCREW M8X25 Z/P	2
28	CFA00132	NUT M8 NYLOC Z/P	2
29	CVA00156	VALVE ASY ARM ROTATION HS 03	1
30	CFA00548	BOLT M8 X 70 SOC CAP ZP	4
31	CEL00138	SLIPRING CON BOTTOM ASY 3WAY	1
32	CEL00136	SLIPRING ROTARY CON 3 WAY	1
33	CEL00137	SLIPRING CON TOP ASY 3 WAY	1
34	CSE00101	SEAL KIT BRAKE UNIT BTM MODEL	1
35	CSE00111	SEAL KIT FOR TE SERIES MOTORS	1
36	CSE00117	SEAL O-RING 18X2 NBR 80	2
37	CMH00803	BUSH 60X31X76 & M6 THREAD	1
38	CFA00563	GRUBSCREW M6X12 DIN916 Z/P	1
39	CZH02183	10MM L DISPENSER ENCODER PART COMBI 2000	1
40	CFA00576	CIRCLIP 70MM EXTERNAL DIN471	1





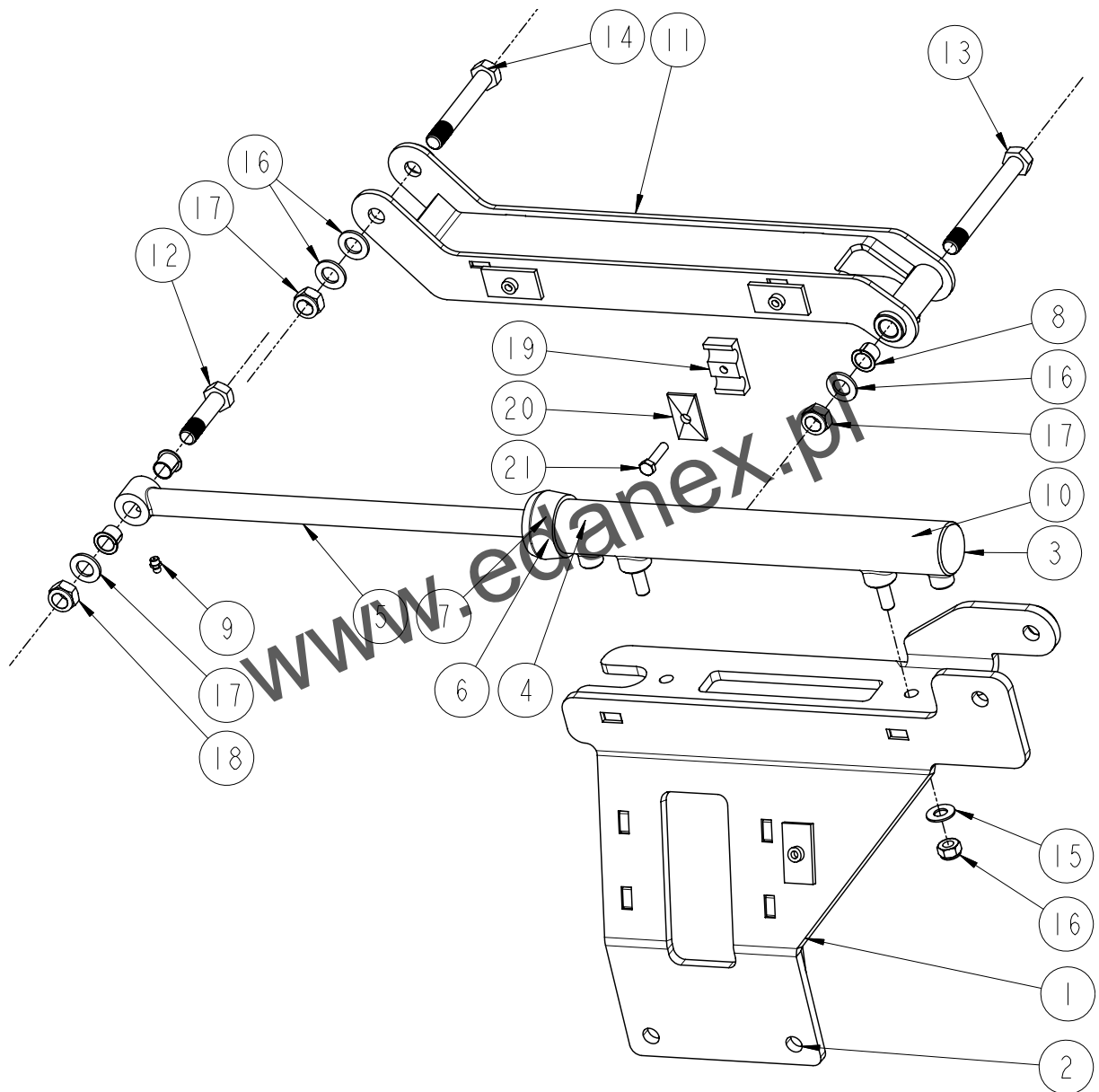
## **DISPENSER REDUCTION**

Item	Part Code	Description	Qty
1	ADP00034	DISP & ARM COMPLETE ASSY C2000	1
2	ADP00033	DISP ARM WELDCENTRE COMBI 2000	1
3	CXB00181	BOX 82X82X6 ALUMINIUM BENT 90	2
4	ADP00046	DISPENSER SAFETY LATCH	2
5	CFA00314	SETSCREW M5X40 Z/P	4
6	ADP00089	DISP. SAFETY ARM BRCKT WELD	1
7	CMH00415	BUSH 12X30X42 NYLON	1
8	CFA00426	SHOLDER SCREW M10 X 70	1
9	CFA00028	BOLT M10X65 Z/P	1
10	CZF02356	6MM L DISPENSER ARM ASSY	1
11	CZF02331	6MM L DISPENSER SAFETY ASSY	2
12	CGD00018	DISPENSER SAFETY ARM ALUMINIUM	2
13	CSG00021	SPRING EXT 4.06X30X129X14	2
14	CZH00128	10MM L BALE HANDLER	6
15	CFA00209	BOLT M16X120 Z/P	6
16	CEL00017	MAGNET BLUE WHEEL	4
17	ADP00120	DISPENSER BACK ASSY HS2000	2
18	CFA00250	WASHER SKM12	13
19	CFA00033	SETSCREW M12X35 Z/P	12
20	CBC00005	CAP PLASTIC INSERT 42.4MM RND	2
21	CPL00028	INSULATION SAFETY BAR	2
22	CFA00251	WASHER SKM10	4
23	CFA00024	SETSCREW M10X25 Z/P	4
24	CFA00047	SETSCREW M6X30 Z/P	4
25	CFA00145	WASHER MUDWING M6 32MM OD	4
26	CFA00131	NUT M6 NYLOC	4
27	CFA00383	BOLT M10X70 Z/P	4
28	CFA00123	NUT M10 NYLOC	4
29	CEL00038	SWITCH LIMIT	2
30	CFA00320	WASHER FLAT 5MM	8
31	CFA00321	NUT M5 NYLOC	4
32	CZB02050	1.5MM L DISPENSER LOOM COVER COMBI 2000	1
33	CFA00447	SETSCREW M8X10 BUTTON HD Z/P	4
34	CEL00061	BUSH SNAP 8.2X13 NYLON	4
35	CFA00128	NUT M16 NYLOC	6



# DISPENSER

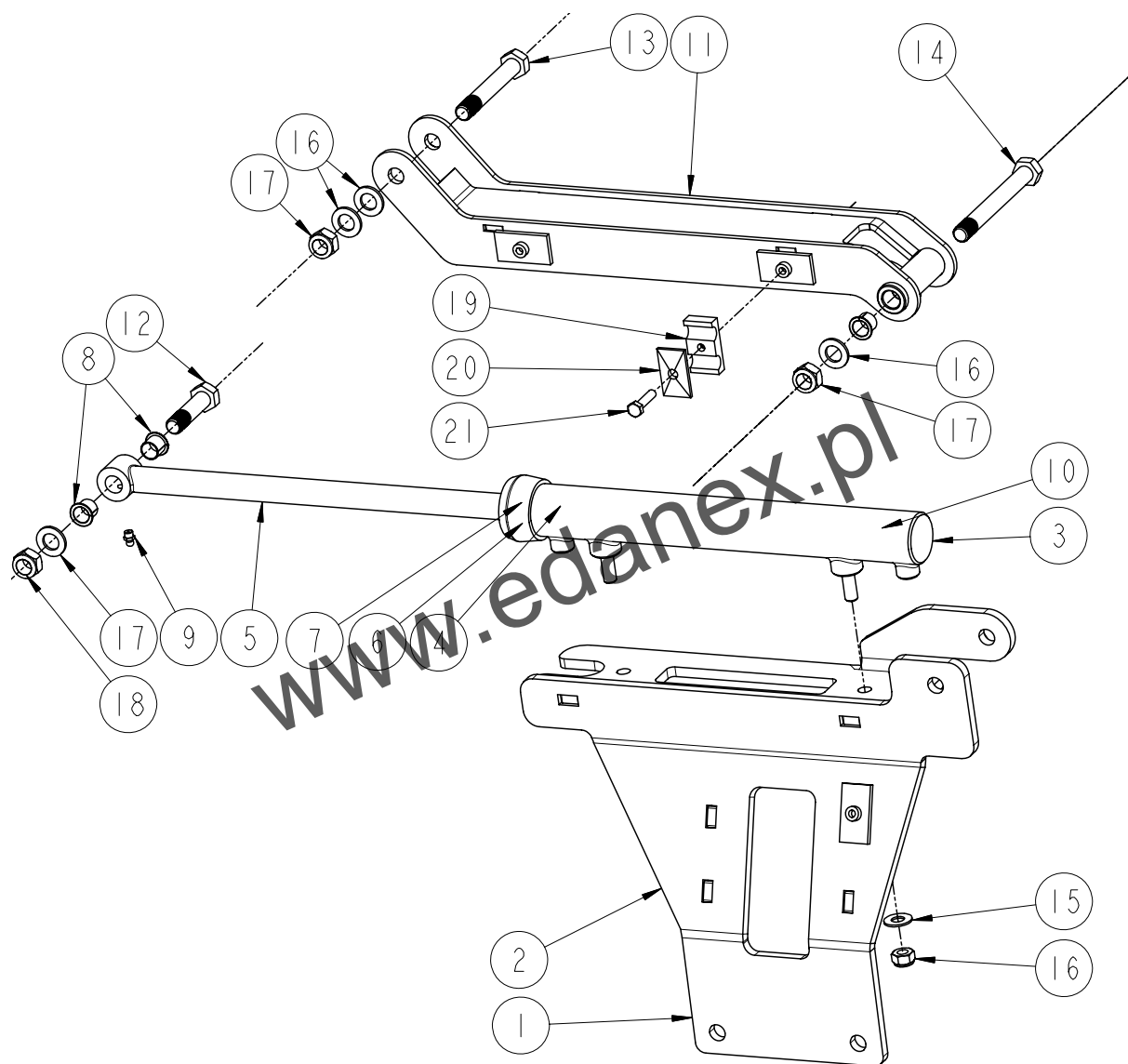
Item	Part Code	Description	Qty
1	ADP00039	DISPENSER COMPLETE ASSEMBLY	1
2	ADP00051	DISPENSER MAIN FRAME WELD ASY	1
3	ADP00040	DISPENSER HOLDER WELD ASSY	1
4	CZH02165	10MM L DISPENSER HANDLE PART	1
5	CSG00013	SPRING EXT 1.83X12X65X14.5	1
6	CMH00619	PIN 30X280 STEPPED Z/P	1
7	CZD00118	4MM L CUT& TIE SPACER	1
8	CMH00087	COIL ROLLER (2 BEARING TYPE)	2
9	CBR00009	BEARING 6205 2RS	4
10	CBR00004	BEARING 20MM 2BOLT P/S FLANGE	4
11	CFA00242	CABLE ROLLER RELEASE 1095	1
12	CSG00010	SPRING COMP 1.625X16X40X8	1
13	CMH00197	PIN 16X84 STEPPED Z/P	1
14	CFA00208	GRUBSCREW M6X6 Z/P	1
15	CFA00001	CIRCLIP 25MM EXTERNAL Z/P	2
16	CZD00114	4MM L DISPENSER SPACER	2
17	CMH00034	ROLLER DISPENSER PRIMARY ALU	1
18	CMH00035	ROLLER DISPENSER SECONDARY ALU	1
19	CMH00055	GEAR SPUR 1.5M 60T DISPENSER 70%	1
20	CMH00175	GEAR SPUR 1.5M 35T DISPENSER 70%	1
21	CFA00153	KEY 6X6X15	2
22	CFA00139	WASHER FLAT 12MM H/D Z/P	2
23	CFA00124	NUT M12 NYLOC	3
24	CFA00052	SETSCREW M8X20 Z/P	10
25	CGD00001	GUARD DISPENSER GEARS	1
26	CFA00132	NUT M8 NYLOC Z/P	8
27	CFA00135	WASHER FLAT 1" Z/P	1
28	CFA00010	ROLL PIN 8X50 Z/P	1
29	CFA00137	WASHER SPRING 10MM H.D Z/P	1
30	CFA00024	SETSCREW M10X25 Z/P	1
31	CSG00031	SPRING TOR 6.35WDX48ODX7.8COIL	2
32	CSG00009	SPRING COMP 2.95X37X197X12	1
33	CEL00004	SENSOR CABLE 3.6M	1
34	CBC00012	CAP PLASTIC HANDGRIP 7/8"	1
35	CBR00068	BEARING 30X34X16 STEPPED PLAS	2
36	CEL00059	MAGNET 20 X 10 260369	2
37	CZC00112	3MM L DISPENSER SPACER	1
38	CFA00336	SETSCREW M5X30 CSK HEAD SS	2
39	CFA00348	NUT M5 NYLOC SS	2
40	CFA00249	WASHER SKM8	2
41	CFA00033	SETSCREW M12X35 Z/P	1
42	CFA00138	WASHER FLAT 12MM Z/P	1



---

## **CUT AND HOLD LEFT HAND BOTTOM**

<b>Item</b>	<b>Part Code</b>	<b>Description</b>	<b>Qty</b>
1	ACT00026	CUT & HOLD ASSY LEFT COMBI 2000	1
2	ACT00035	CUT&TIE WELDED ASSY COMBI 2000	1
3	CRA00170	RAM 32X25 LOWER C&H HS2000	1
4	CRA00177	SEAL GLAND FOR CRA00170 BOTTOM	1
5	CRA00178	RAM ROD FOR CRA00170	1
6	CRA00179	SEAL GLAND FOR CRA00170 TOP	1
7	CRA00180	RAM CAP FOR CRA00170	1
8	CBR00022	BEARING GLACIER BB 1617 DU	2
9	CFA00118	GREASE NIPPLE M8X1.25 STRAIGHT	1
10	CSE00114	SEAL KIT FOR RAM CRA00170	1
11	ACT00028	LINK ARM 1 CUT & HOLD COMBI 2000	1
12	CMH00528	BOLT M16X65 MACHINED	1
13	CMH00530	BOLT M16X142 MACHINED	1
14	CMH00529	BOLT M16X105 MACHINED	1
15	CFA00250	WASHER SKM12	2
16	CFA00124	NUT M12 NYLOC	2
17	CFA00140	WASHER FLAT 16MM Z/P	4
18	CFA00128	NUT M16 NYLOC	3
19	CFA00374	HOSE CLAMP 14MM (2 PER SET)	3
20	CFA00183	HOSE CLAMP COVER PLATE 14MM	3
21	CFA00055	BOLT M8X35 Z/P	3

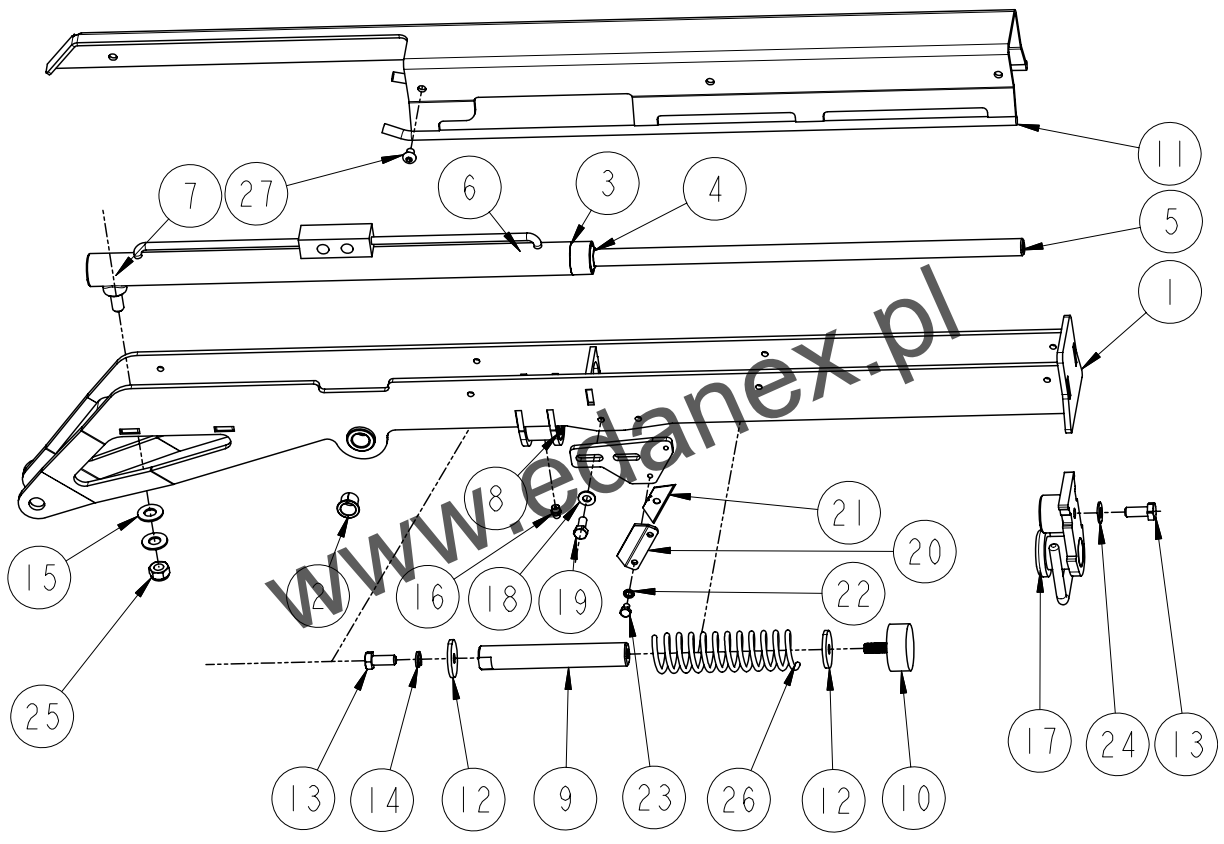


---

## ***CUT AND HOLD RIGHT HAND BOTTOM***

---

<b>Item</b>	<b>Part Code</b>	<b>Description</b>	<b>Qty</b>
1	ACT00030	CUT & HOLD ASSY RIGHT COMBI 2000	1
2	ACT00036	CUT & TIE WELD ASSY RIGHT HS2000	1
3	CRA00170	RAM 32X25 LOWER C&H HS2000	1
4	CRA00177	SEAL GLAND FOR CRA00170 BOTTOM	1
5	CRA00178	RAM ROD FOR CRA00170	1
6	CRA00179	SEAL GLAND FOR CRA00170 TOP	1
7	CRA00180	RAM CAP FOR CRA00170	1
8	CBR00022	BEARING GLACIER BB 1617 DU	2
9	CFA00118	GREASE NIPPLE M8X1.25 STRAIGHT	1
10	CSE00114	SEAL KIT FOR RAM CRA00075	1
11	ACT00028	LINK ARM 1 CUT & HOLD COMBI 2000	1
12	CMH00528	BOLT M16X65 MACHINED	1
13	CMH00529	BOLT M16X105 MACHINED	1
14	CMH00530	BOLT M16X142 MACHINED	1
15	CFA00250	WASHER SKM12	2
16	CFA00124	NUT M12 NYLOC	2
17	CFA00140	WASHER FLAT 16MM Z/P	4
18	CFA00128	NUT M16 NYLOC	3
19	CFA00374	HOSE CLAMP 14MM (2 PER SET)	3
20	CFA00183	HOSE CLAMP COVER PLATE 14MM	3
21	CFA00055	BOLT M8X35 Z/P	3

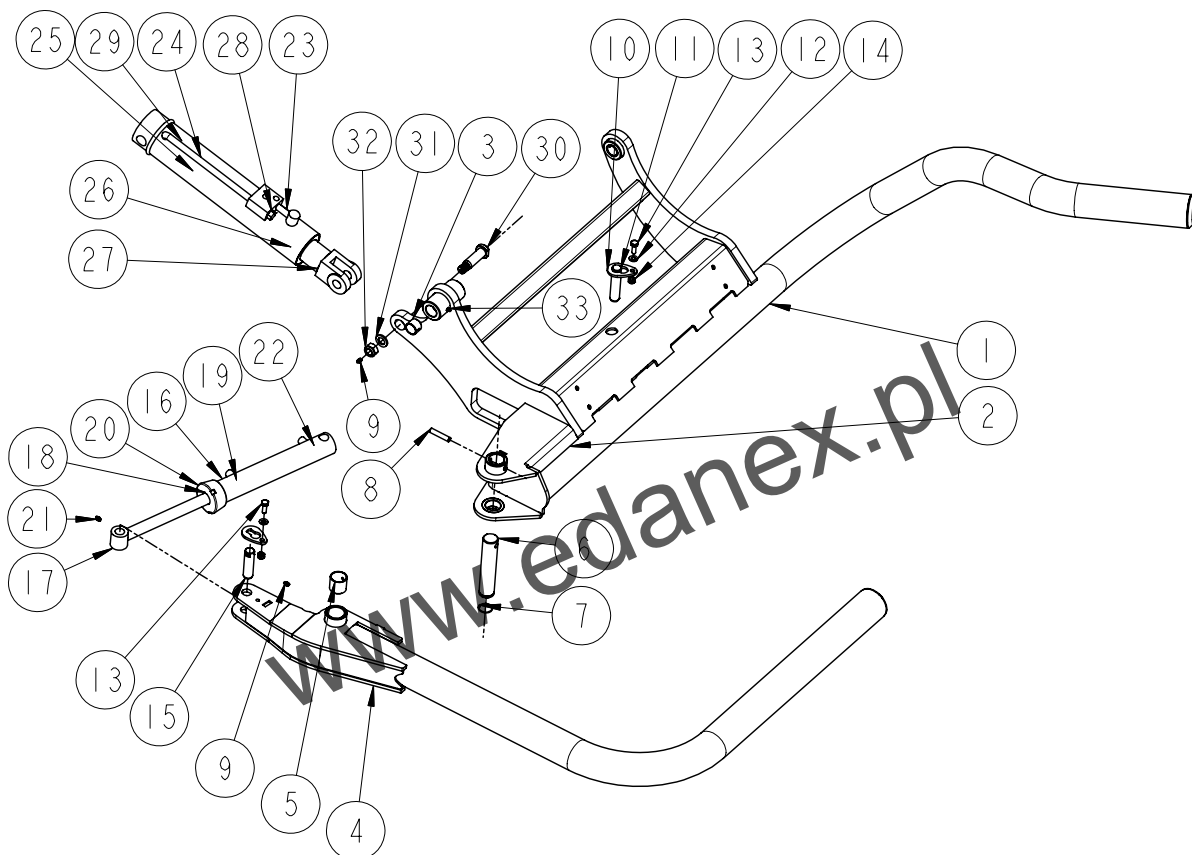




## **CUT AND HOLD TOP SECTION**

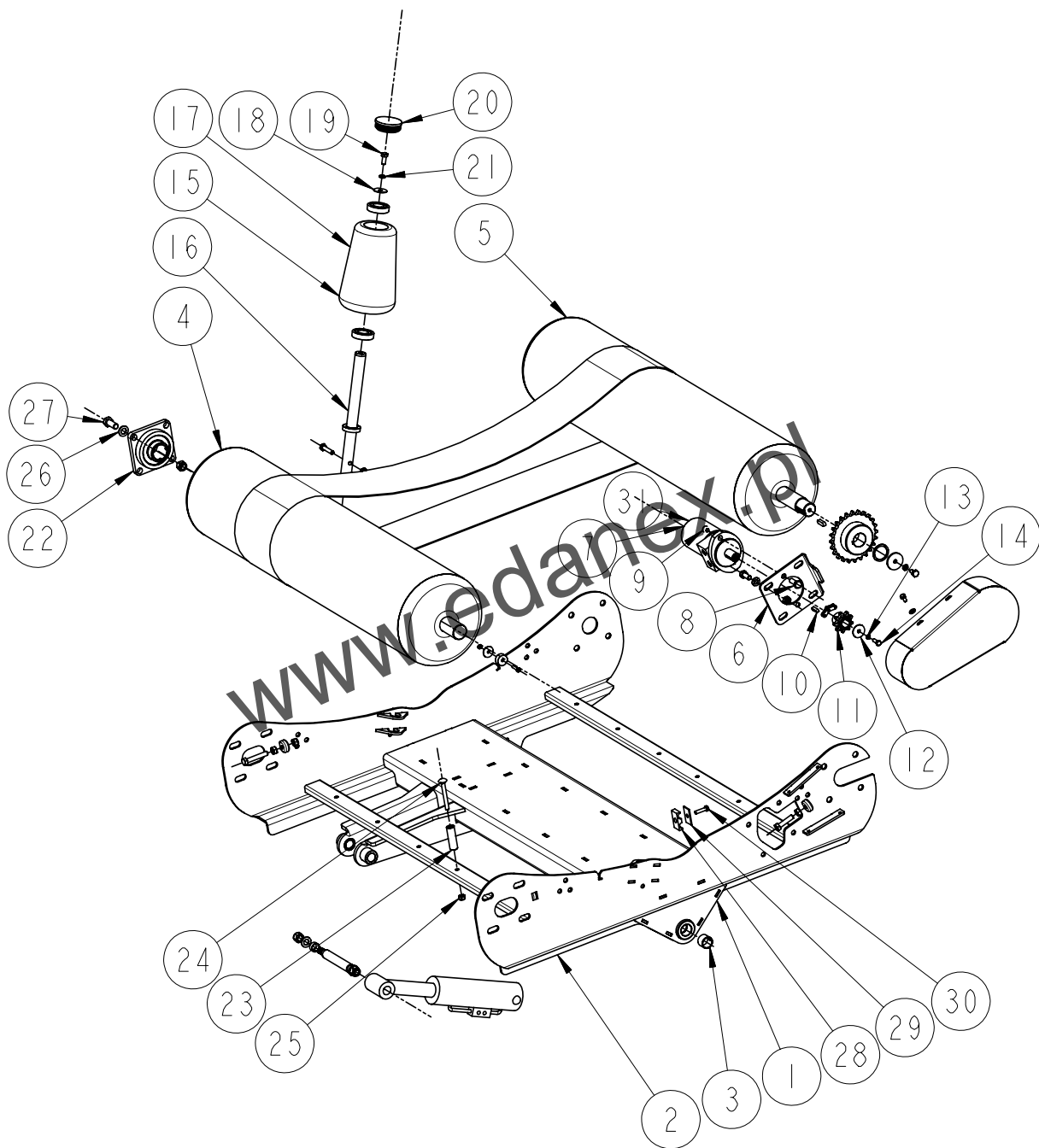
QUANTITIES ARE PER UNIT, 2 UNITS PER MACHINE

<b>Item</b>	<b>Part Code</b>	<b>Description</b>	<b>Qty</b>
1	ACT00029	LINK ARM 2 CUT & HOLD COMBI 2000	1
2	CBR00022	BEARING GLACIER BB 1617 DU	2
3	CRA00115	CUT & HOLD CYLINDER COMBI 2000	1
4	CRA00105	SEAL GLAND TOP FOR CRA00115	1
5	CRA00116	RAM ROD CUT&HOLD COMBI 2000	1
6	CRA00101	SEAL GLAND BOTTOM FOR CRA00115	1
7	CSE00115	SEAL KIT FOR RAM CRA00115	1
8	CBR00016	BEARING OLITE 25X32X40	1
9	CMH00023	PIN 25X159 C.PLUNGER C&T	1
10	CBE00002	BUFFER RUBBER 50X21 M10X28	1
11	ACT00031	CUT & HOLD COVER ASSY COMBI 2000	1
12	CZD00118	4MM L CUT& TIE SPACER	2
13	CFA00024	SETSCREW M10X25 Z/P	2
14	CFA00137	WASHER SPRING 10MM H.D Z/P	1
15	CFA00250	WASHER SKM12	2
16	CFA00118	GREASE NIPPLE M8X1.25 STRAIGHT	2
17	ACT00040	FILM RETAINER COMBI CUT & HOLD	1
18	CFA00249	WASHER SKM8	2
19	CFA00052	SETSCREW M8X20 Z/P	2
20	CZC02012	3MM L 998 /COMBI KNIFE CLAMP	1
21	CKN00011	KNIFE STANLEY BLADE CUT&HOLD	2
22	CFA00268	WASHER 6MM SHAKEPROOF	2
23	CFA00269	SETSCREW M6X10 Z/P	2
24	CFA00251	WASHER SKM10	1
25	CFA00124	NUT M12 NYLOC	1
26	CSG00036	SPRING COM 4.88X38X150X12	1
27	CFA00447	SETSCREW M8X10 BUTTON HD Z/P	7



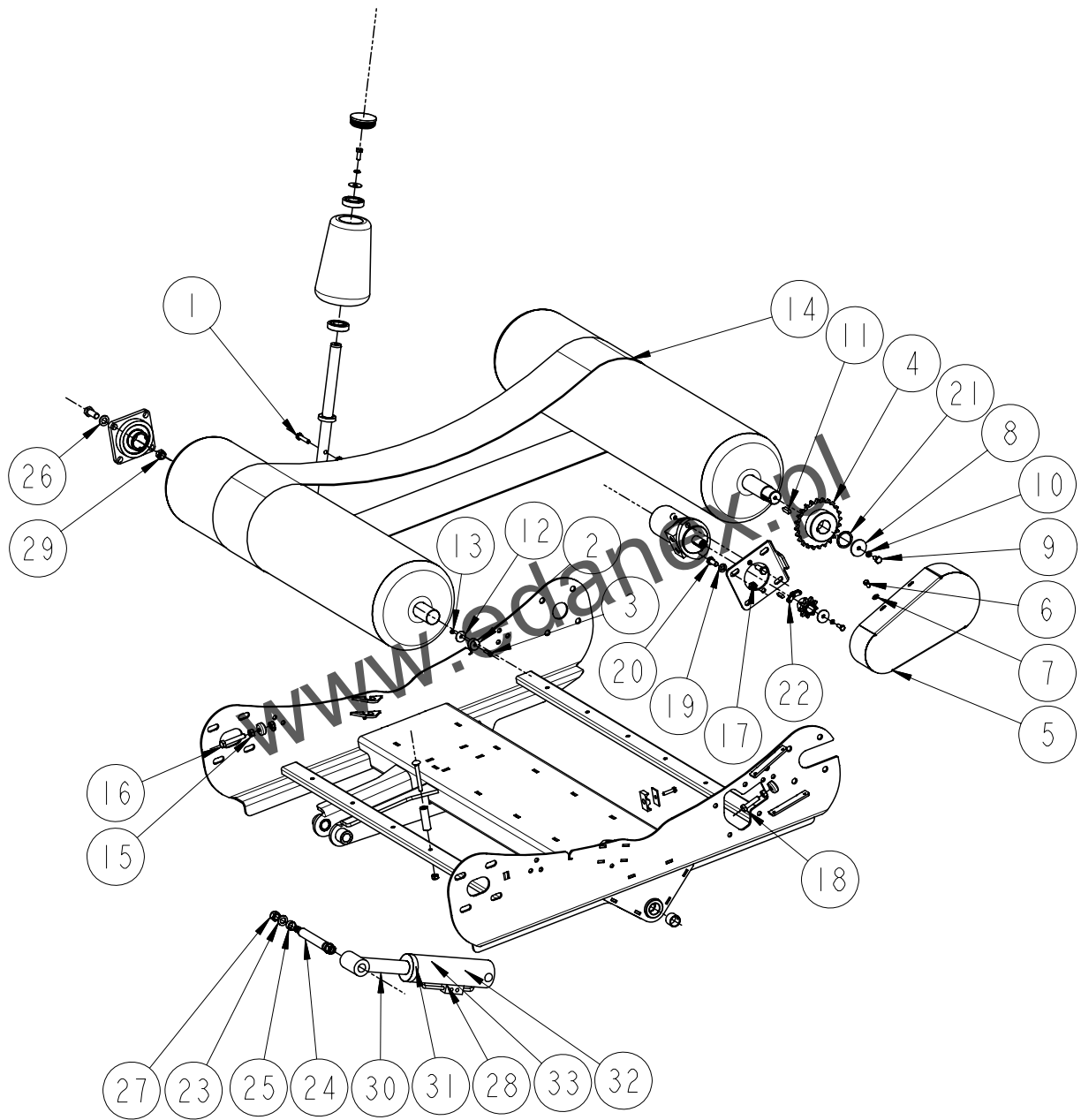
## **MAIN & SIDE LIFTARM**

Item	Part Code	Description	Qty
1	ALA00024	LIFTARM ASY HS2000 COMPLETE	1
2	ALA00047	LIFT ARM MAIN HS 2000	1
3	CBR00007	BEARING GLACIER PM 3025 DX	4
4	ALA00025	LIFTARM SIDE ARM COMBI 2000	1
5	CBR00018	BEARING GLACIER PM 4040	2
6	CMH00187	PIN 40X192x12MM	1
7	CFA00112	SNAP RING 1 1/2"	1
8	CFA00110	ROLL PIN 12X60	1
9	CFA00118	GREASE NIPPLE M8X1.25 STRAIGHT	2
10	CZF00293	6MM L CAP SHORT FOR 25MM PINS	2
11	CMH00443	PIN 25 X 110 MILLED FOR CAP Z/P	1
12	CFA00251	WASHER SKM10	2
13	CFA00025	SETSCREW M10X30	2
14	CFA00123	NUT M10 NYLOC	2
15	CMH00421	PIN 25 X 90 MILLED FOR CAP	1
16	CRA00075	RAM LIFTARM PIVOT OUTSIDE	1
17	CRA10078	ROD LIFTARM PIVOT OUTSIDE	1
18	CRA00202	SEAL GLAND FOR CRA00075 TOP	1
19	CRA00203	SEAL GLAND FOR CRA00075 BOTTOM	1
20	CRA00204	RAM CAP FOR CRA00075	1
21	CFA00118	GREASE NIPPLE M8X1.25 STRAIGHT	1
22	CSE00075	SEAL KIT FOR RAM CRA00075	1
23	CRA00120	RAM LIFTARM COMBI 2000	1
24	CRA00153	RAM SPRING COMP FOR CRA00120	1
25	CRA00154	SEAL GLAND BOTTOM FOR CRA00120	1
26	CRA00155	SEAL GLAND TOP FOR CRA00120	1
27	CRA10020	RAM ROD LIFTARM	1
28	CVA00035	CTE CHECKVALVE MCHALE 20	1
29	CSE00113	SEAL KIT FOR RAM CRA00120	1
30	CMH00017	PIN 25X105&M20 THREAD STEPPED	1
31	CFA00413	WASHER FLAT 20MM Z/P	1
32	CFA00129	NUT M20 NYLOC	1
33	CFA00118	GREASE NIPPLE M8X1.25 STRAIGHT	1



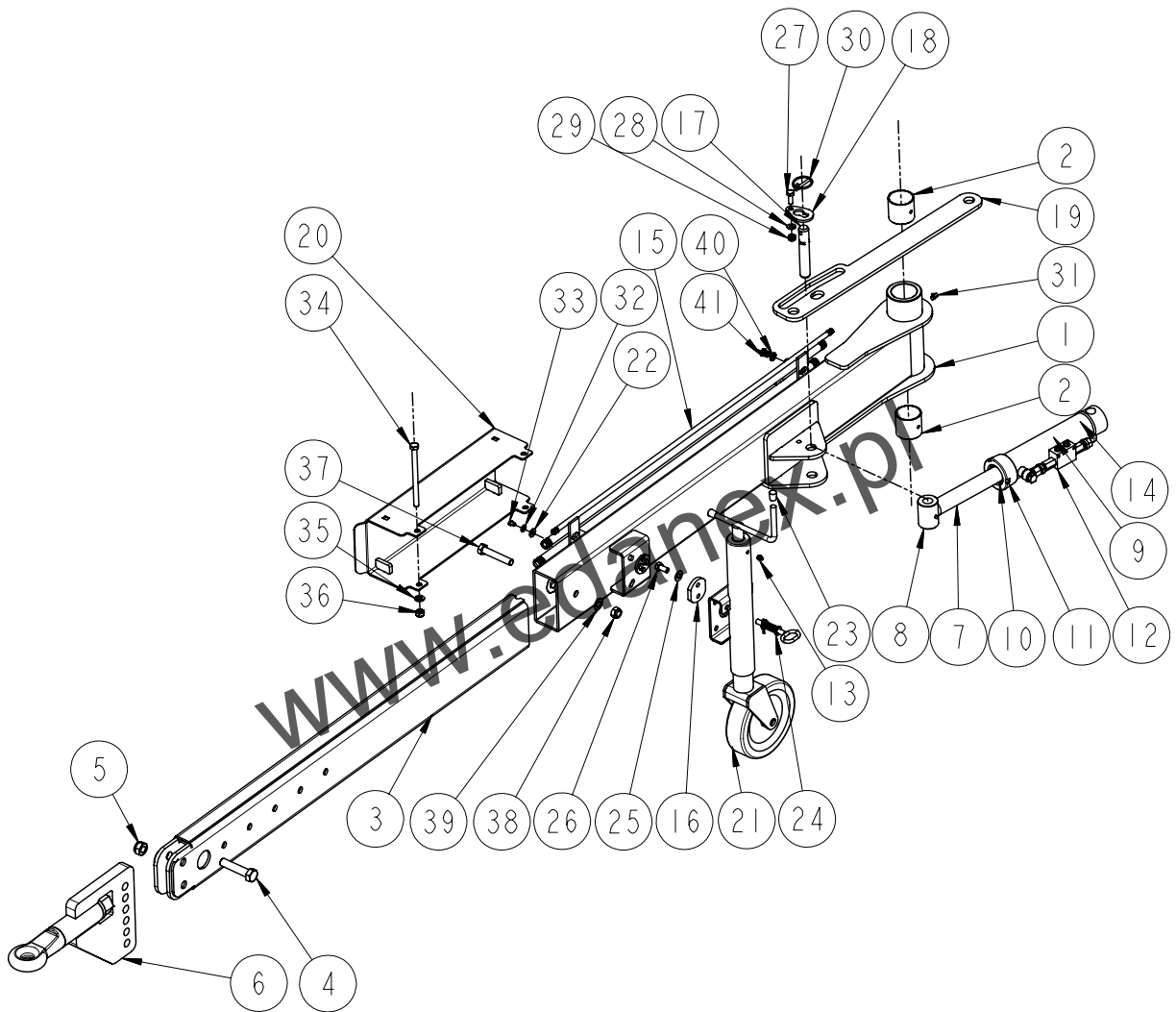
# **TABLE PART 1**

<b>Item</b>	<b>Part Code</b>	<b>Description</b>	<b>Qty</b>
1	ART00017	COMBI WRAPPING TABLE	1
2	ART00046	COMBI TABLE WELD ASSY	1
3	CBR00007	BEARING GLACIER PM 3025 DX	4
4	ART00015	TABLE ROLLER COMBI 2000	1
5	ART00016	TABLE DRIVE ROLLER COMBI 2000	1
6	CZF02003	6MM L MOTOR PLATE	1
7	CMT00050	MOTOR 320-330CC 2BOLT 25SHAFT	1
8	CFA00033	SETSCREW M12X35 Z/P	2
9	CFA00124	NUT M12 NYLOC	2
10	CFA00359	KEY 8X7X30	1
11	CMH00285	SPROCKET 3/4" PITCH 9T LTB 44	1
12	CFA00149	WASHER MUDWING M8 38MM OD	1
13	CFA00185	WASHER SPRING 8MM Z/P	1
14	CFA00102	SETSCREW M8X25 Z/P	1
15	ART00044	BOBBIN ASSY COMBI 2000	2
16	ART00005	BOBBIN AXLE SHAFT	1
17	CPL00038	BOBBIN ASSY COMBI 2000	1
18	CFA00134	WASHER MUDWING M10X38MM OD	1
19	CFA00024	SETSCREW M10X25 Z/P	1
20	CBC00008	CAP PLASTIC INSERT 75MM	1
21	CFA00137	WASHER SPRING 10MM H.D Z/P	1
22	CBR00046	BEARING FLANGE UNIT SF1 3/4"	4
23	CMH00001	BUSH 12X22X70	12
24	CFA00030	BOLT M10X90 CUPHEAD Z/P	12
25	CFA00123	NUT M10 NYLOC	14
26	CFA00140	WASHER FLAT 16MM Z/P	16
27	CFA00151	SETSCREW M16X40 Z/P	16
28	CFA00370	HOSE CLAMP 18MM (2 PER SET)	1
29	CFA00183	HOSE CLAMP COVER PLATE 14MM	1
30	CFA00055	BOLT M8X35 Z/P	1
31	CSE00111	SEAL KIT FOR TE SERIES MOTORS	1



## **TABLE PART 2**

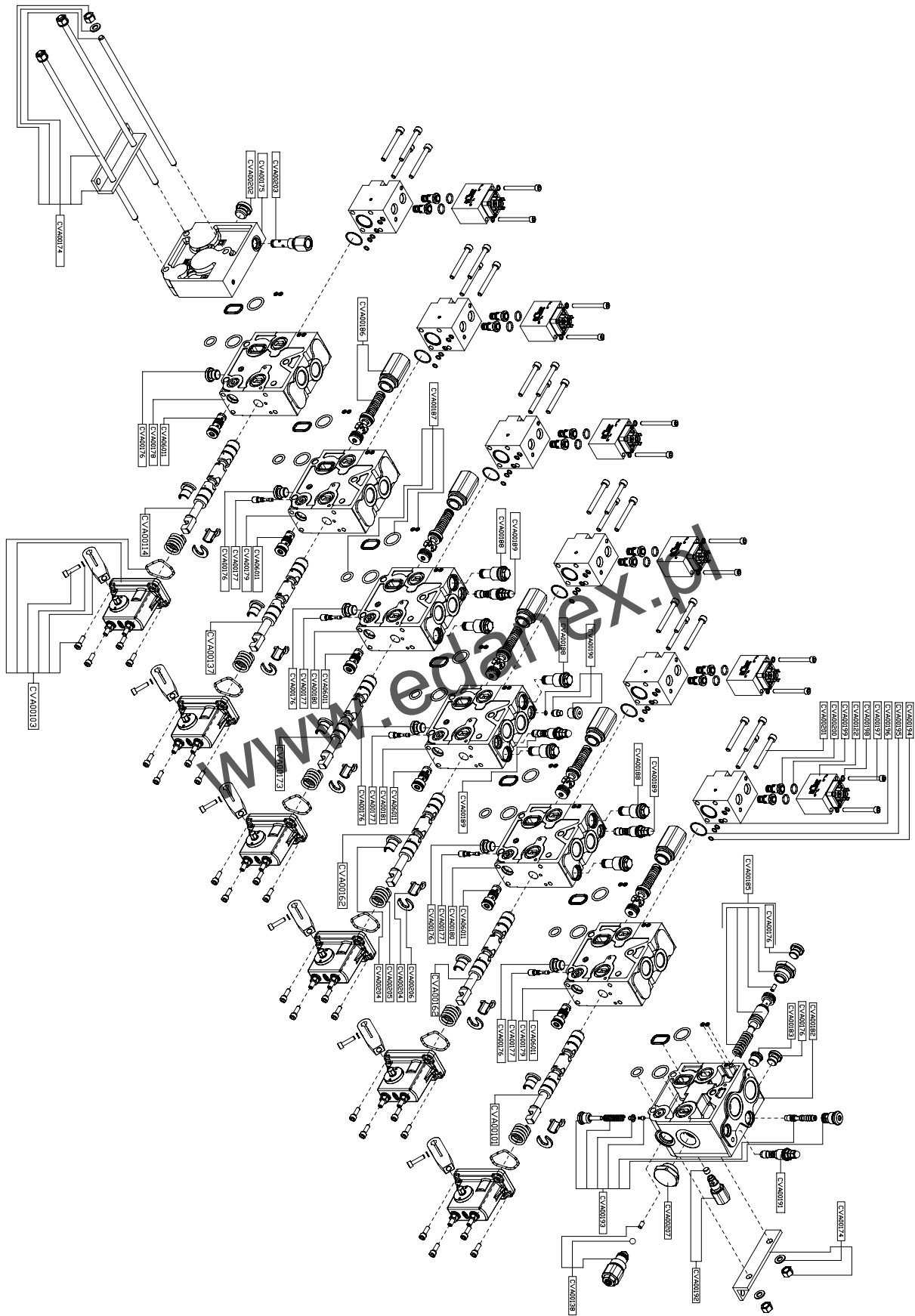
<b>Item</b>	<b>Part Code</b>	<b>Description</b>	<b>Qty</b>
1	CFA00310	BOLT M10X50 Z/P	2
2	CEL00017	MAGNET BLUE WHEEL	1
3	CFA00047	SETSCREW M6X30 Z/P	1
4	CMH00396	SPROCKET 3/4" PITCH 24T 40 DIA	1
5	CGD00020	GUARD DRIVE CHAIN TABLE HS2000	1
6	CFA00101	SETSCREW M8X16 Z/P	4
7	CFA00249	WASHER SKM8	4
8	CZD00121	4MM L CUT & TIE SPACER Z/P	1
9	CFA00023	SETSCREW M10X20 Z/P	1
10	CFA00137	WASHER SPRING 10MM H.D Z/P	1
11	CFA00046	KEY 10X8X35	1
12	CFA00145	WASHER MUDWING M6 32MM OD	1
13	CFA00131	NUT M6 NYLOC	1
14	CBE00020	BELT SINGLE 96	4
15	CFA00014	NUT M12	3
16	CFA00036	SETSCREW M12X70 Z/P	2
17	CFA00124	NUT M12 NYLOC	6
18	CFA00270	SETSCREW M12X50 Z/P	1
19	CFA00138	WASHER FLAT 12MM Z/P	4
20	CFA00032	SETSCREW M12X30 Z/P	4
21	CFA00265	SHIM 40X50X1.0	4
22	CCH00027	CHAIN KIT 12B 3/4" 43 LINKS	1
23	ACH00346	BOLT 25MM EXPANDER 160MM	1
24	CMH00670	PIN 25X160 STEPPED EXPANDER	1
25	CMH00424	BUSH 17X25X12 TAPPERED	2
26	CFA00140	WASHER FLAT 16MM Z/P	2
27	CFA00386	NUT M16X1.5 NYLOC 10 DIN 985	2
28	CRA00140	RAM TABLE TIP HS2000	1
29	CFA00128	NUT M16 NYLOC	16
30	CRA00184	RAM ROD TABLE TILT HS2000	1
31	CRA00200	SEAL GLAND TOP FOR CRA00140	1
32	CRA00201	SEAL GLAND BOTTOM FOR CRA00140	1
33	CSE00112	SEAL KIT FOR RAM CRA00140	1





# DRAWBAR

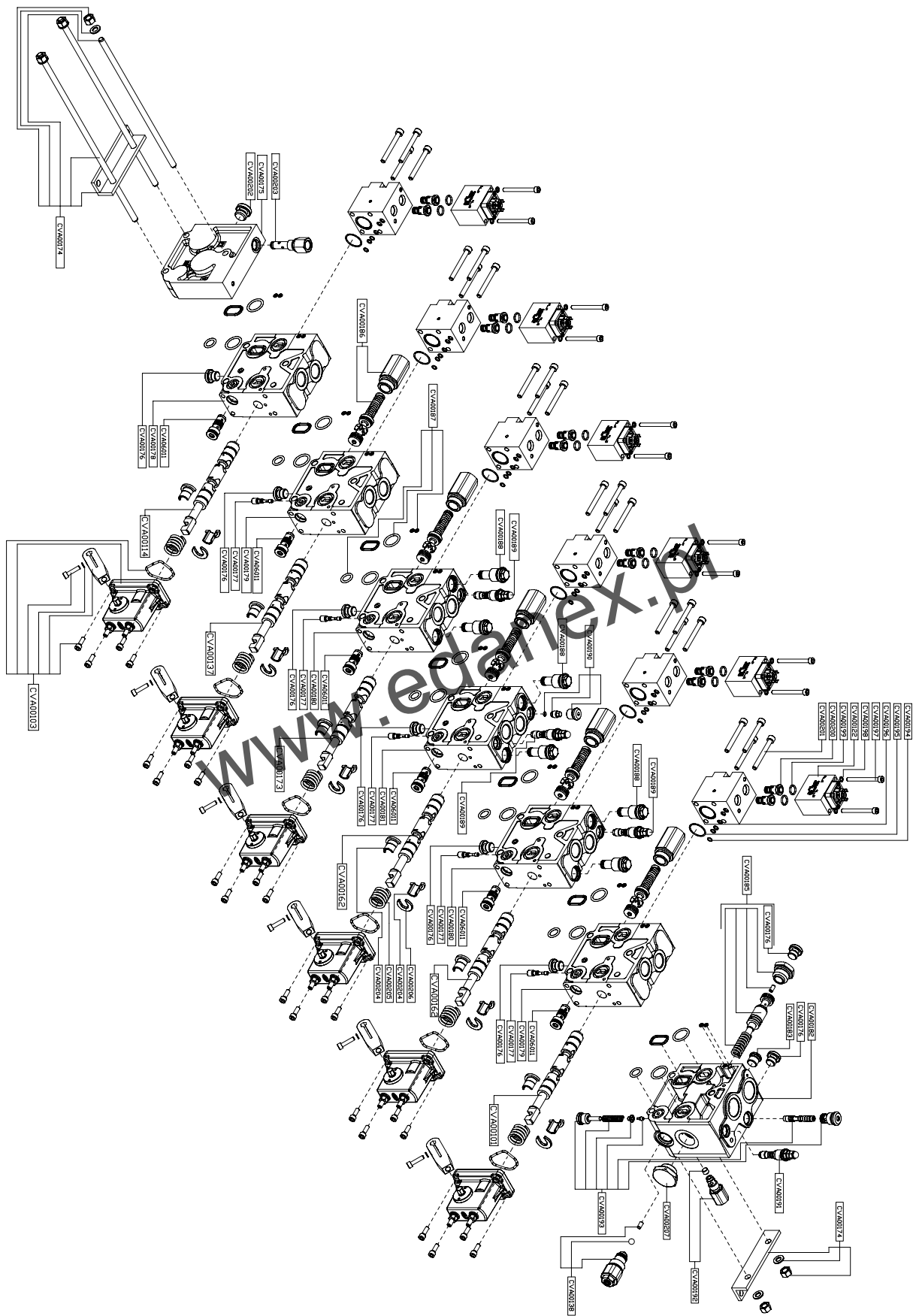
Item	Part Code	Description	Qty
1	ADB00014	DRAWBAR ASSEMBLY COMBI	1
2	CBR00019	BEARING GLACIER PM 6060	2
3	ADB00013	DRAWBAR ADJUSTABLE COMBI	1
4	CFA00053	BOLT M20X90 Z/P	2
5	CFA00129	NUT M20 NYLOC	2
6	CTP00056	HITCH EYE ASSY COMBI SWIVEL	1
7	CRA00077	RAM DRAWBAR PIVOT COMBI	1
8	CRA00085	RAM ROD DRAWBAR PIVOT CRA00077	1
9	CRA00119	BOTTOM SEAL HOLDER CRA00077	1
10	CRA00118	RAM TOP GLAND CRA00077	1
11	CRA00114	RAM CAP HYD TOP LINK	1
12	CVA00082	VALVE CHECK COMBI DRAWBAR	1
13	CFA00111	GREASE NIPPLE M10X1.5 STRAIGHT	1
14	CSE00077	SEAL KIT DRAW BAR PIVOT COMBI	1
15	CHY02034	STEEL PIPE ASSEMBLY HS2000 DRAWBAR	1
16	CZH00401	10MM L HS2000 DRAWBAR PART	1
17	CMH00518	PIN 25X150X8MM MILLED FOR CAP Z/P	2
18	CZF00293	6MM L CAP SHORT FOR 25MM PINS	2
19	CZH02367	10MM L HS2000 SAFETY BAR PART	1
20	ACH00253	DRAWBAR GUARD ASSY COMBI	1
21	CTP00003	JACK PARKING CW WHEEL COMBI	1
22	CFA00111	GREASE NIPPLE M10X1.5 STRAIGHT	1
23	CBC00004	CAP PLAS FERRULE 5/8	2
24	CTP00062	PIN FOR JACK (COMBI)	1
25	CFA00250	WASHER SKM12	3
26	CFA00031	SETSCREW M12X25 Z/P	2
27	CFA00025	SETSCREW M10X30	2
28	CFA00251	WASHER SKM10	4
29	CFA00123	NUT M10 NYLOC	2
30	CFA00202	LINCH PIN 6MM	2
31	CFA00062	GREASE NIPPLE M8X1.25X90 DEGREE	1
32	CFA00249	WASHER SKM8	2
33	CFA00292	SETSCREW M8X10 SOC CAP ZP	2
34	CFA00470	BOLT M12X180 Z/P	2
35	CFA00138	WASHER FLAT 12MM Z/P	1
36	CFA00124	NUT M12 NYLOC	2
37	CFA00063	BOLT M16X90 Z/P	1
38	CFA00128	NUT M16 NYLOC	1
39	CFA00140	WASHER FLAT 16MM Z/P	1
40	CHY00015	WASHER DOWTY 1/4"	2
41	CHY02006	PLUG BLANKING 1/4" MALE	2



---

## **HYDRAULIC CONTROL VALVE**

<b>Part Code</b>	<b>Description</b>
CVA00101	SPOOL LIFTARM DPC130 HS2000
CVA00103	LEVER PIVOT BOX DPC130
CVA00114	SPOOL DRAWBAR DPC130 HS2000
CVA00122	SOLENOID DPC130
CVA00137	SPOOL CUT & HOLD DPC130 HS2000
CVA00138	PLUG OPEN/CLOSED DSK DPC130
CVA00162	SPOOL STEER & TIP DPC130 HS2000
CVA00173	SPOOL ROTATION DPC130 HS2000
CVA00174	TIE ROD KIT VALVE CHEST HS2000
CVA00175	END BLOCK VALVE CHEST HS2000
CVA00176	PLUG BSP 1/4"
CVA00177	FLOW LIMITER DPC 130
CVA00178	VALVE SECTION DPC130 D10
CVA00179	VALVE SECTION DPC130 C10
CVA00180	VALVE SECTION DPC130 C21
CVA00181	VALVE SECTION DPC130 C22
CVA00182	INLET SECTION
CVA00183	TAP M14 x 1.5 MM
CVA00185	INLET COMPENSATION VALVE
CVA00186	SECTION COMPENSATOR DPC130
CVA00187	SEAL KIT DPC130



---

## **HYDRAULIC CONTROL VALVE**

<b>Part Code</b>	<b>Description</b>
CVA00188	PLUG UT/ DPC130
CVA00189	VALVE DPC130 (40-180 bar)
CVA00190	VALVE CHECK
CVA00191	VALVE DPC130 (180-350 bar)
CVA00192	FILTER LOAD SENSING DPC130
CVA00193	VALVE PRESSURE REDUCING DPC130
CVA00194	O-RING SEAL 5 x 1.2 MM PARKER
CVA00195	O-RING SEAL 21.95 x 1.78 MM
CVA00196	BODY DPC130
CVA00197	SOC CAP M5 x 55 MM
CVA00198	WASHER ELASTIC M5
CVA00199	O-RING SEAL 11.11 x 1.78 MM
CVA00200	PRESSURE REDUCER DPC130
CVA00201	SOC CAP M6 x 55 MM
CVA00202	PLUG BSP 3/8"
CVA00203	JOINT DPC130
CVA00204	OPEN BUSHING DPC130
CVA00205	SPRING DPC130
CVA00206	RING 11.2 x 23 x 3 MM
CVA00207	PLUG DPC130
CVA06011	CTE SHUTTLE VALVE DPC
CVA06002	VALVE HANDLE M8 (NOT SHOWN)

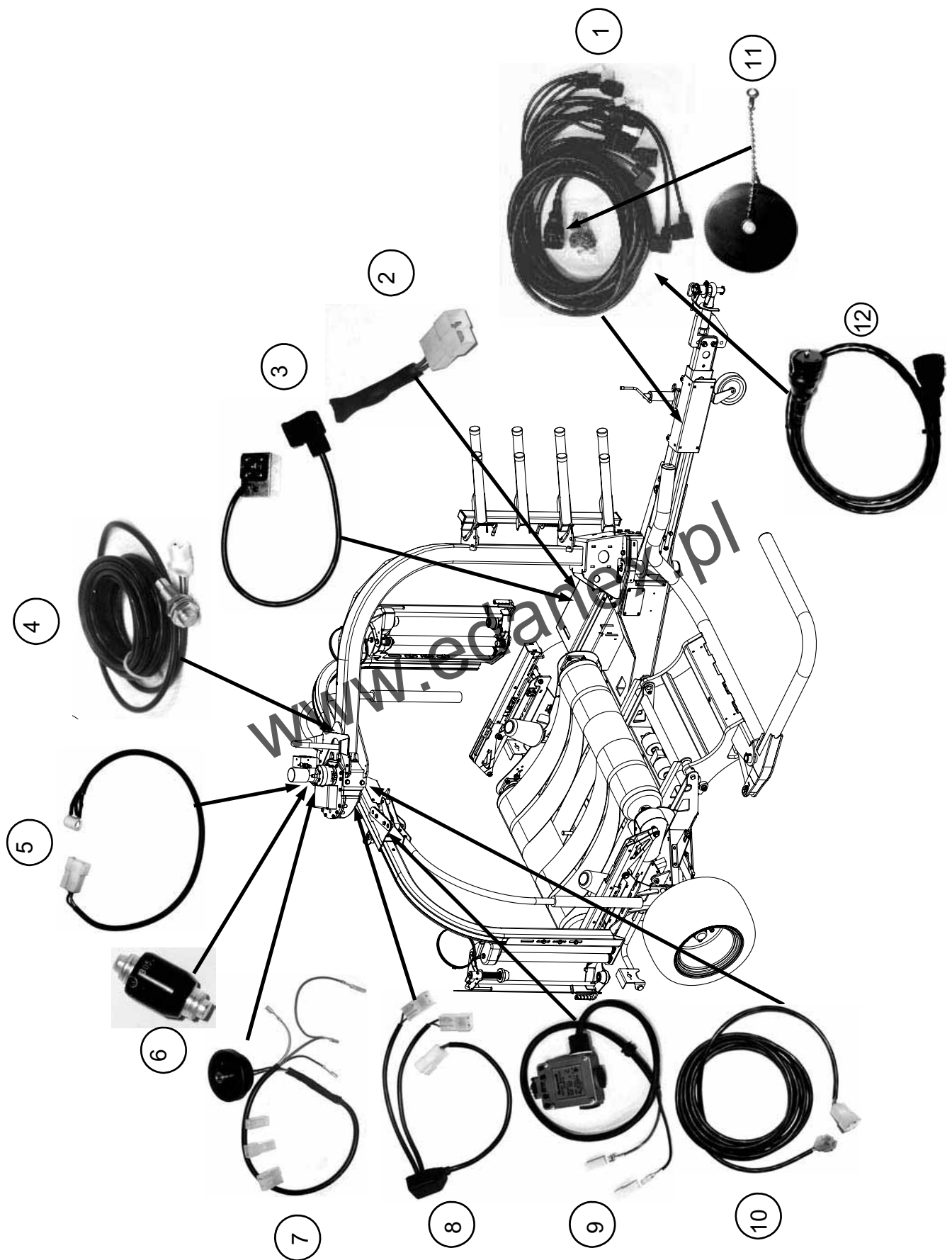


---

# **ELECTRONIC COMPONENTS 1**

<b>Item</b>	<b>Part Code</b>	<b>Description</b>	<b>Qty</b>
1	CEL00130	CTLR EXPERT SERIES HS2000	1
2	CEL00031	LOOM POWER ELECTRONIC MON	1
3	CEL00064	LOOM COBO WHITE CON LEAD	1
4	CPL00007	VACUUM PAD FLAT BACK	1
5	CEL00004	SENSOR CABLE 3.6M	3
6	CEL00017	MAGNET BLUE WHEEL	5
7	CEL00059	MAGNET 20 x 10MM	4

[www.edanex.pl](http://www.edanex.pl)



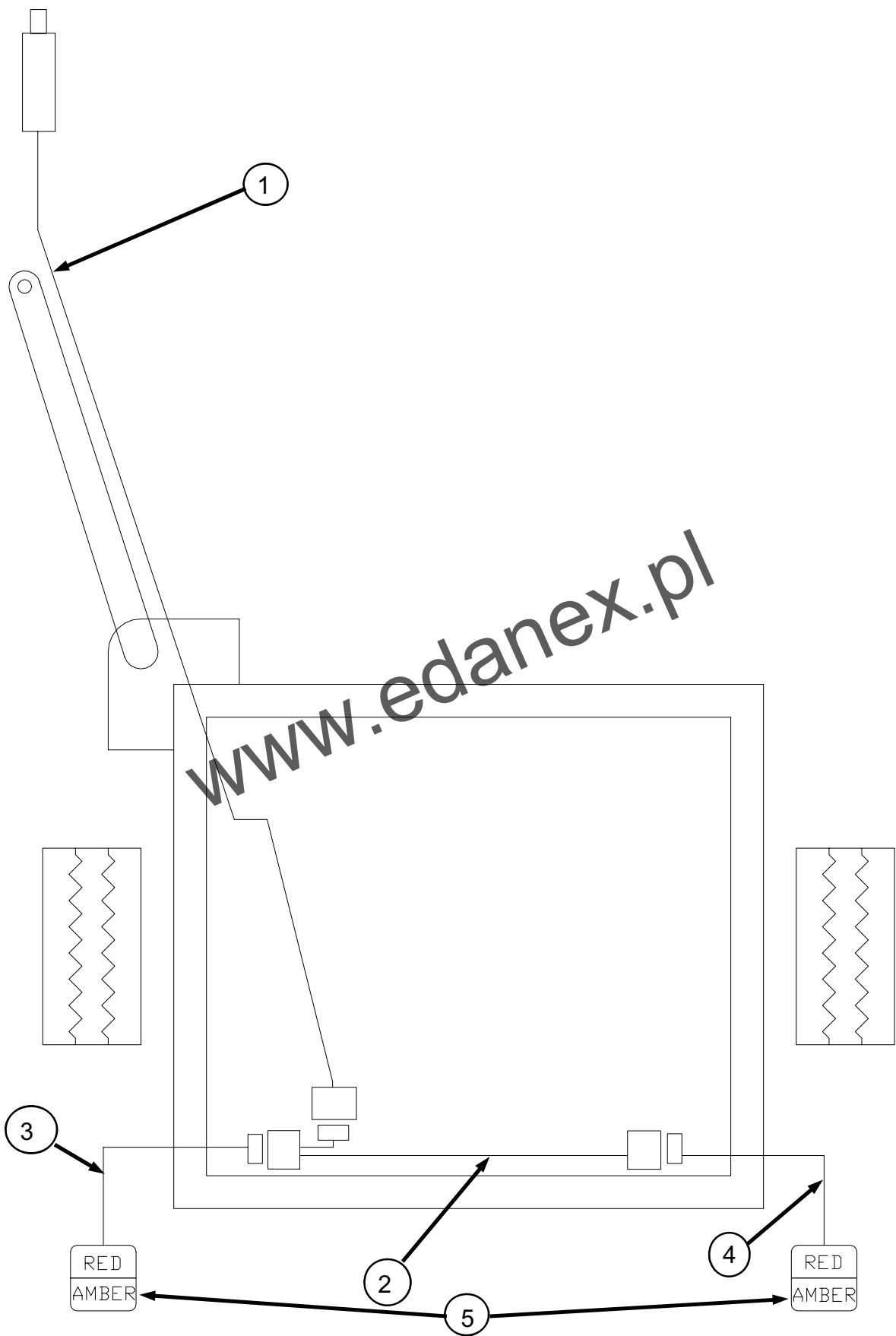


---

## **ELECTRONIC COMPONENTS 2**

<b>Item</b>	<b>Part Code</b>	<b>Description</b>	<b>Qty</b>
1	CEL00131	LOOM 37 PIN HS2000	1
2	CEL00158	RESISTOR SENSING 200 OHM	1
3	CEL00191	MODULE VOLTAGE STABILISER	1
4	CEL00139	PROXIMITY SENSOR ARCH HS2000	1
5	CEL00137	SLIPRING CON TOP ASY 3 WAY	1
6	CEL00136	SLIPRING ROTARY CON 3 WAY	1
7	CEL00138	SLIPRING CON BOTTOM ASY 3WAY	1
8	CEL00157	FILM BREAK MODULE	1
9	CEL00038	SWITCH LIMIT HONEY W. COMPLETE	1
10	CEL00135	CABLE EXTENSION 3 CORE	2
11	CEL00160	DUST CAP 7M LOOM HS2000 ASY	1
12	CEL00085	LOOM EXT 37 PIN 1.5M	1

[www.edanex.pl](http://www.edanex.pl)



---

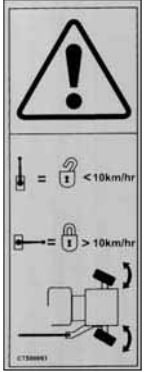
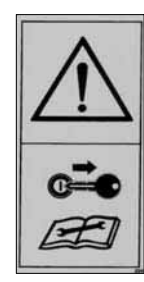
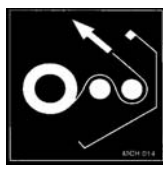
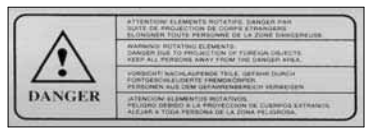
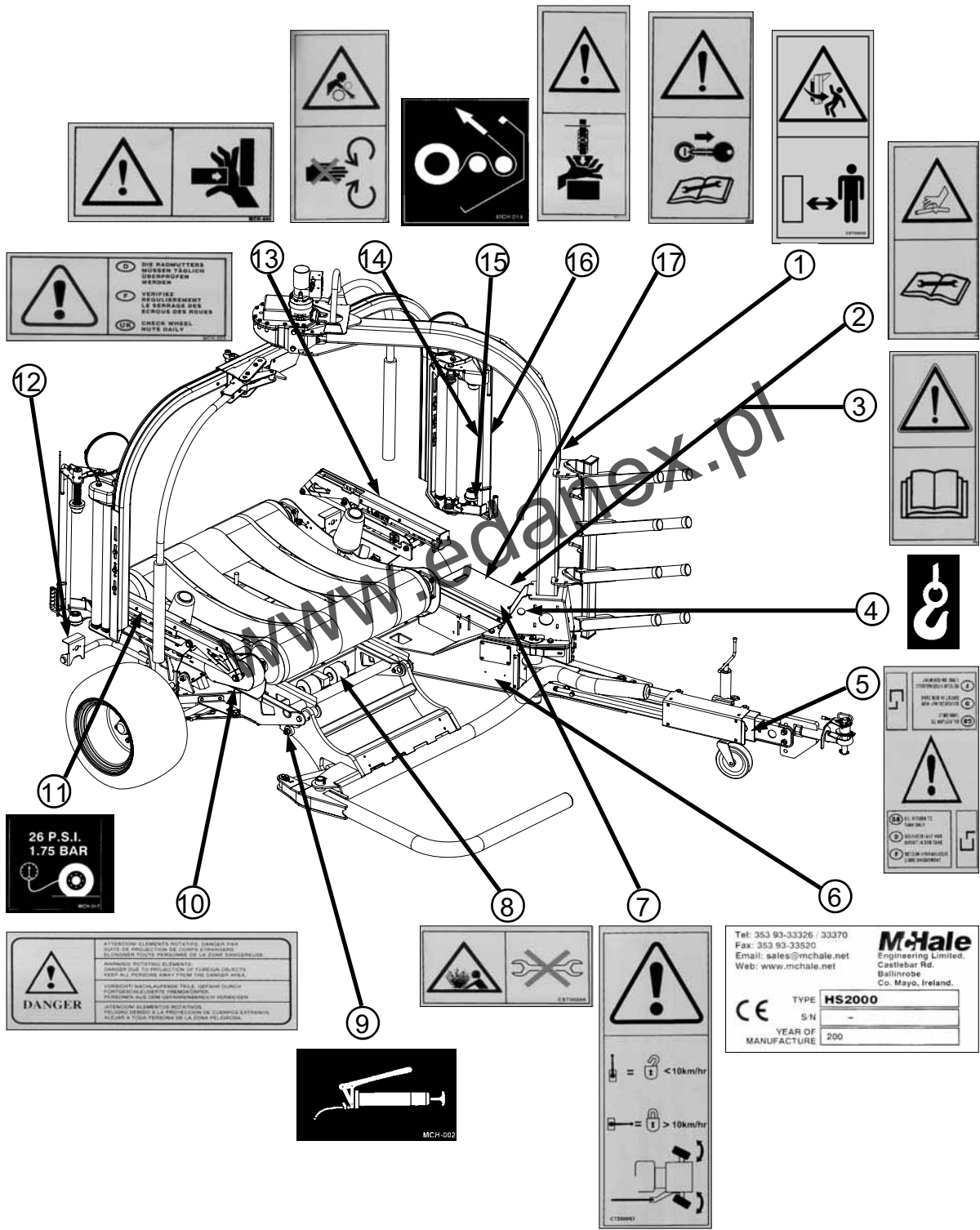
## **LIGHTING**

<b>Item</b>	<b>Part Code</b>	<b>Description</b>	<b>Qty</b>
	<b>CEL00129</b>	<b>LIGHTING KIT HS2000</b>	<b>1</b>
<b>1</b>	<b>CEL00180</b>	<b>LOOM LIGHTING HS2000 FRONT</b>	<b>1</b>
<b>2</b>	<b>CEL00179</b>	<b>LOOM LIGHTING HS2000 REAR</b>	<b>1</b>
<b>3</b>	<b>CEL00181</b>	<b>LAMP HS2000 REAR LEFT</b>	<b>1</b>
<b>4</b>	<b>CEL00182</b>	<b>LAMP HS2000 REAR RIGHT</b>	<b>1</b>
<b>5</b>	<b>CEL00120</b>	<b>LIGHTING REAR LENS TRAILED</b>	<b>2</b>

[www.edanex.pl](http://www.edanex.pl)

# 19 HS2000

# 20 McHale



Tel: 353 93-33326 / 33370  
 Fax: 353 93-33520  
 Email: sales@mchale.net  
 Web: www.mchale.net

**McHale**  
 Engineering Limited,  
 Castlebar Rd.,  
 Ballinrobe  
 Co. Mayo, Ireland.

CE	TYPE	HS2000
	S/N	-
	YEAR OF MANUFACTURE	200

# DECALS

Item	Part Code	Description	Qty
	CST00078	DECAL KIT HS2000	1
1	CST00040	DECAL DISPENSER SAFETY MCH-025	1
2	CST00016	DECAL HYD WARNING 244	1
3	CST00057	DECAL READ MANUAL F9	2
4	CST00032	DECAL LIFTING HOOK	3
5	CST00006	DECAL FREEFLOW RET TO TANK	1
6	N/A	SERIAL NUMBER PLATE HS2000	1
7	CST00093	HS2000 ON/OFF TAP INSTRUCTION	1
8	CST00056	DECAL ACCUMULATOR WARNING	2
9	CST00060	DECAL GREASE GUN	6
10	CST00014	DECAL WARNING!ROTATING ELEMENT	2
11	CST00021	DECAL TYRE PRESSURE MCH-017	2
12	CST00020	DECAL CHECK WHEEL NUTS MCH-003	2
13	CST00019	DECAL CRUSHED HAND MCH-005	2
14	CST00017	DECAL ROTATING ELEMENTS 214	2
15	CST00022	DECAL FILM PATH	2
16	CST00026	DECAL HAND ENTRAPMENT MCH-019	2
17	CST00015	DECAL REMOVE KEY	1
18	CST00102	DECAL REMOVE GRASS HS2000	2
19	CST00081	DECAL HS2000 HEIGHT 90MM	2
20	CST00079	DECAL MCHALE HEIGHT 90MM	1
21	CST00080	DECAL MCHALE HEIGHT 140MM	2



# **HYDRAULIC HOISING DIAGRAM**

<b>Part Code</b>	<b>Description</b>	<b>Qty</b>
CHY02185	1/4" 700MM F BSP 0° TO F BSP 0°	1
CHY02186	3/8" 700MM F BSP 0° TO F BSP 0°	1
CHY02187	1/4" 600MM F BSP 0° TO F BSP 0°	1
CHY02063	1/4" 650MM F BSP 0° TO F BSP 0°	1
CHY02064	3/8" 550MM F BSP 0° TO F BSP 0°	1
CHY02065	3/8" 525MM F BSP 0° TO F BSP 0°	1
CHY02186	3/8" 700MM F BSP 0° TO F BSP 0°	1
CHY02066	3/8" 825MM F BSP 90° TO F BSP 90°,90°	1
CHY02067	1/4" 1100MM F BSP 90° TO F BSP 90°,250°	2
CHY02068	1/4" 300MM F BSP 90° TO M BSP 0°	1
CHY02069	1/4" 225MM F BSP 0° TO F BSP 90°	1
CHY02070	1/4" 325MM F BSP 90° TO F BSP 90°,270°	1
CHY02071	3/8" 725MM F BSP 90° TO F BSP 90°,90°	1
CHY02072	3/8" 2400MM F BSP 90° TO F BSP 0°	2
CHY02073	3/8" 2600MM F BSP 90° TO F BSP 90°,180°	1
CHY02074	3/8" 2500MM F BSP 90° TO F BSP 45°	1
CHY02075	3/8" 725MM F BSP 0° TO F BSP 90°	1
CHY02077	3/8" 2200MM F BSP 90° TO F BSP 0°	2
CHY02078	3/8" 2400MM F BSP 90° TO F BSP 90°	2
CHY02082	3/8" 450MM F BSP 0° TO F BSP 90°	1
CHY02083	3/8" 525MM F BSP 90° TO F BSP 0°	2
CHY02084	3/8" 425MM F BSP 90° TO F BSP 0°	1
CHY02116	5/8" 1000MM F BSP 0° TO M BSP 0°	1
CHY02117	1/2" 1000MM F BSP 0° TO M BSP 0°	1
CHY02049	1/4" 2250MM F BSP 0° TO F BSP 90°	2
CHY02050	1/4" 1550MM F BSP 0° TO F BSP 90°	2
CHY02051	1/4" 1400MM F BSP 90° TO F BSP 90°,90°	1
CHY02052	1/4" 3300MM F BSP 0° TO F BSP 90°	2
CHY02053	1/4" 2800MM F BSP 0° TO F BSP 90°	2
CHY02054	1/2" 1500MM M BSP 0° TO F BSP 0°	1
CHY02055	5/8" 1400MM F BSP 0° TO F BSP 0°	1
CHY02056	1/4" 1500MM M BSP 0° TO F BSP 0°	1
CHY02057	1/2" 750MM F BSP 0° TO F BSP 90°	1
CHY02058	5/8" 825MM F BSP 0° TO F BSP 90°	1
CHY02059	1/4" 575MM F BSP 0° TO F BSP 90°	1

---

[www.edanex.pl](http://www.edanex.pl)

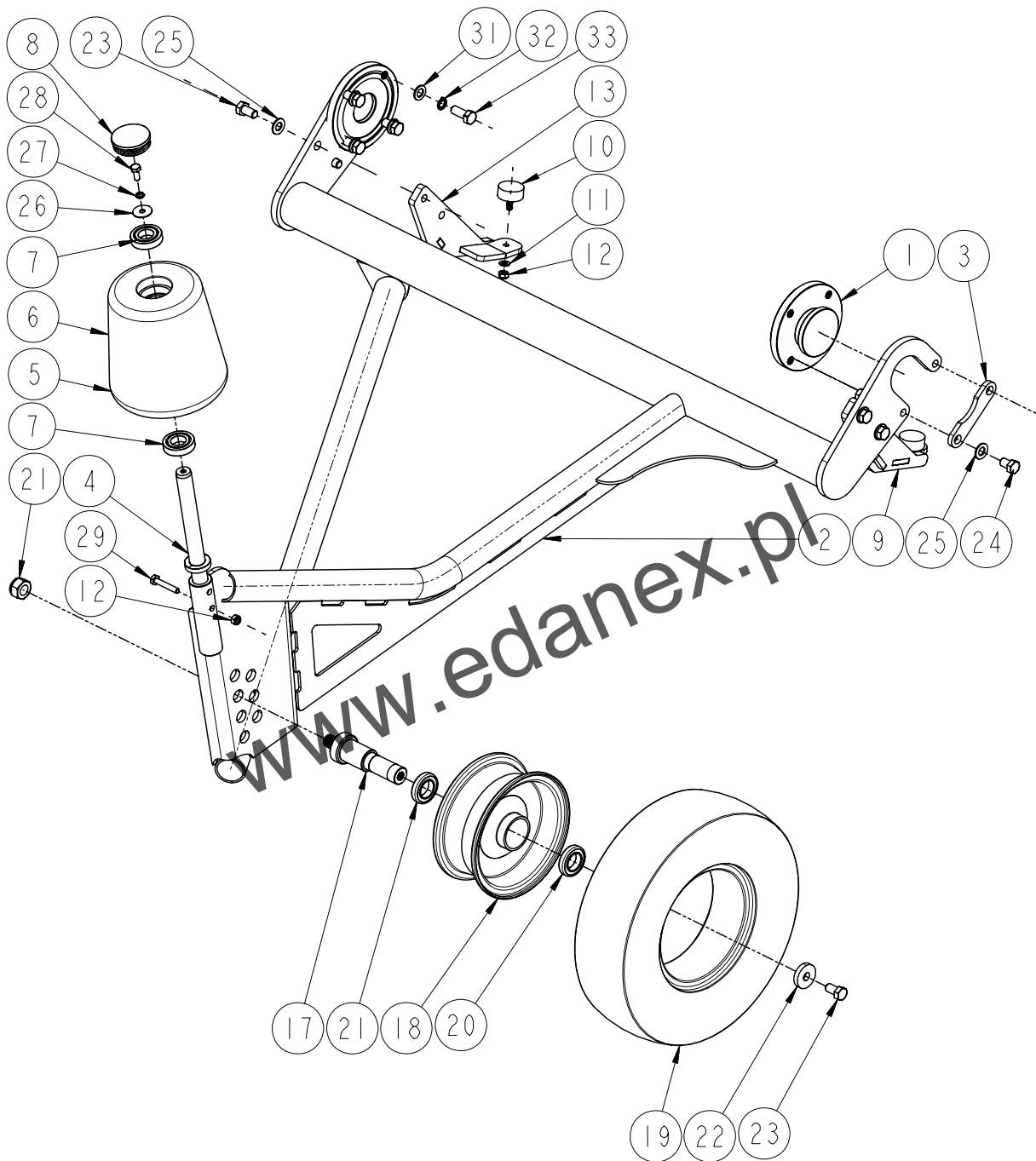
This page is intentionally left blank



---

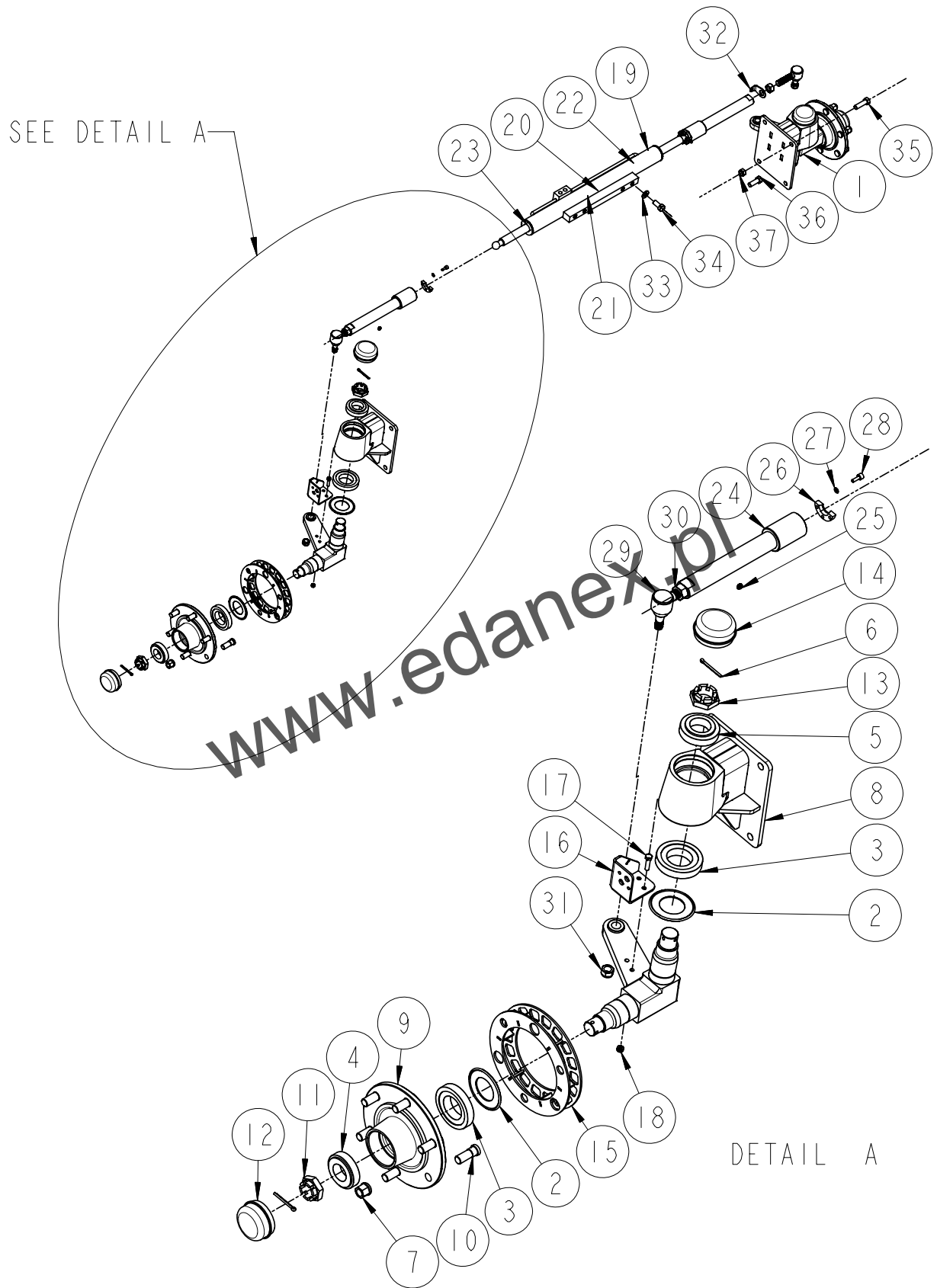
# **HS2000 Optional Extra Parts Contents**

<b><u>Title</u></b>	<b><u>Page</u></b>
Side Tip Option	50
Steering Option: Steering Axle	52
Wheel Angle Sensor	54
Steering Electrical Components	54
Drawbar Steering Pin	56
Remote Control Option	58
Baler Kit Options: Diverter Valve	60
Baler to HS2000 Kit	60
Camera Kit Option	62
Dispenser Gear Options:	
70% Gear Option Standard	64
55% Gear Option (Hot Climates)	64
32% Enduro Plastic Option	64



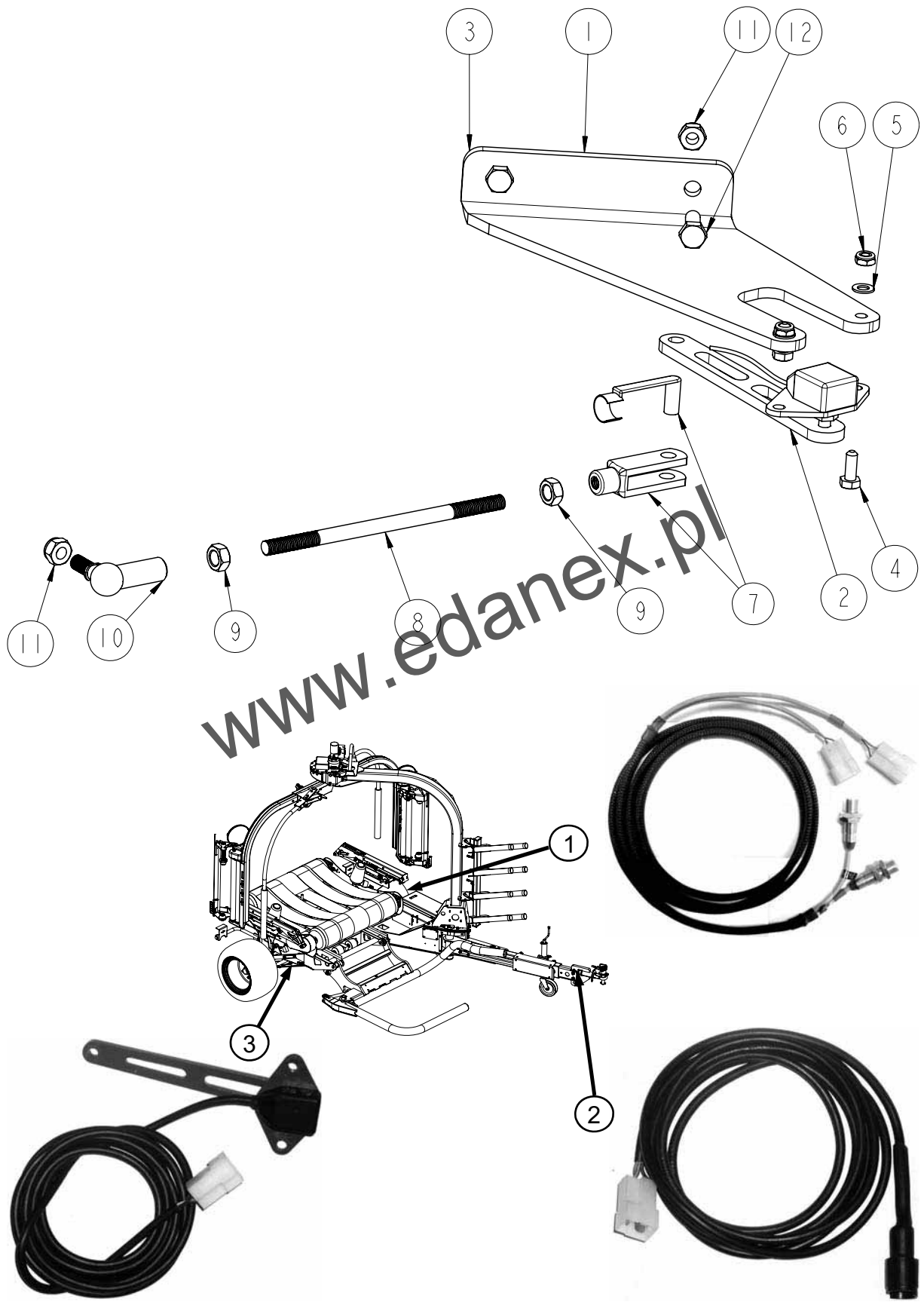
## **SIDE TIP OPTION**

Item	Part Code	Description	Qty
	ABD00019	SIDE TIP HS2000	1
1	CMH00646	PIN 180X48 STEPPED 4XM16THREAD	2
2	ABD00020	SIDE TIP HS2000 WELD ASSEMBLY	1
3	CZH02465	10MM L HOLD ON BRCKT.	2
4	ART00005	BOBBIN AXLE SHAFT	1
5	CPL00008	BOBBIN ASSEMBLY	1
6	CPL00008	BOBBIN STANDARD	1
7	CBR00024	BEARING 62062RS	2
8	CBC00008	CAP PLASTIC INSERT 75MM	1
9	ABD00022	HS2000 SIDE TIP LIFTUP BRKT RT	1
10	CBE00002	BUFFER RUBBER 50X21 M10X28	1
11	CFA00201	WASHER FLAT 10 MM Z/P	1
12	CFA00123	NUT M10 NYLOC	1
13	ABD00023	HS2000 SIDE TIP LIFTUP BRKT LT	1
14	CBE00002	BUFFER RUBBER 50X21 M10X28	1
15	CFA00201	WASHER FLAT 10 MM Z/P	1
16	CFA00123	NUT M10 NYLOC	1
17	CMH00698	PIN 60X197 STEPPED.SIDE TIP	1
18	CWH00045	WHEEL RIM 6.00-9	1
19	CWH00046	TYRE 6.00-9 V50	1
20	CBR00001	BEARING 6007 2RS	2
21	CFA00130	NUT M24 NYLOC	1
22	CZH00128	10MM L BALE HANDLER	1
23	CFA00399	SETSCREW M16X30 Z/P	5
24	CFA00325	SETSCREW M16X25 Z/P	4
25	CFA00252	WASHER SKM16	8
26	CFA00134	WASHER MUDWING M10X38MM OD	1
27	CFA00137	WASHER SPRING 10MM H.D Z/P	1
28	CFA00024	SETSCREW M10X25 Z/P	1
29	CFA00027	BOLT M10X60 Z/P	1
30	CFA00123	NUT M10 NYLOC	1
31	CFA00140	WASHER FLAT 16MM Z/P	8
32	CFA00142	WASHER SPRING 16MM Z/P	8
33	CFA00151	SETSCREW M16X40 Z/P	8



## **STEERING OPTION: STEERING AXLE**

Item	Part Code	Description	Qty
1	CAX00039	AXLE ASSEMBLY RIGHTHAND COMBI	1
2	CSE00109	HUB SEAL 100 X 55 FAD	2
3	CBR00041	BEARING 30211	2
4	CBR00095	BEARING 30208A	1
5	CBR00013	BEARING WHEEL 5 STUD AXLE	1
6	CFA00013	SPLIT PIN 5X50 Z/P	2
7	CFA00121	NUT WHEEL M18 6 STUD AXLE	6
8	CAX00029	AXLE ASSEMBLY LEFT HAND COMBI	1
9	CAX00034	WHEEL HUB 6 STUD (FAD)	1
10	CFA00235	WHEEL STUD 6 STUD ADR	6
11	CFA00394	NUT CASTLE 33 X 50	1
12	CAX00037	HUB CAP (FAD) 80MM OD	1
13	CFA00397	NUT CASTLE HEAD	1
14	CAX00038	HUB CAP (FAD) 85MM OD	1
15	CAX00044	WHEEL SENSOR ASSY COMBI 2000	1
16	CZD02144	4MM L WHEEL SENSOR PART COMBI	1
17	CFA00055	BOLT M8X35 Z/P	2
18	CFA00132	NUT M8 NYLOC Z/P	2
19	CRA00122	RAM STEERING AXLE COMBI 2000	1
20	CRA00124	INTERNAL SEAL HOLDER	1
21	CRA00125	RAM ROD COMBI 2000 STEERING RAM	2
22	CRA00127	INTERNAL SPACER COMBI 2000 STEERING RAM	2
23	CRA00123	RAM SEAL GLAND COMBI 2000	2
24	CRA00156	TRACKROD LINKARM FOR CRA00122	2
25	CFA00118	GREASE NIPPLE M8X1.25 STRAIGHT	1
26	CRA00158	TRACKROD LINKARM RETAINER PART	2
27	CFA00144	WASHER FLAT 6MM Z/P	6
28	CFA00428	BOLT M6X20 SOCCAP Z/P	6
29	CRA00157	TRACKROD END FOR CRA00122	2
30	CFA00304	NUT M20	1
31	CFA00128	NUT M16 NYLOC	1
32	CZC02062	3MM L HS2000 STEERING PART	1
33	CFA00252	WASHER SKM16	4
34	CFA00552	BOLT M16 X 35 Z/P	4
35	CFA00315	BOLT M16X55	4
36	CFA00282	BOLT M16X45	4
37	CFA00128	NUT M16 NYLOC	8



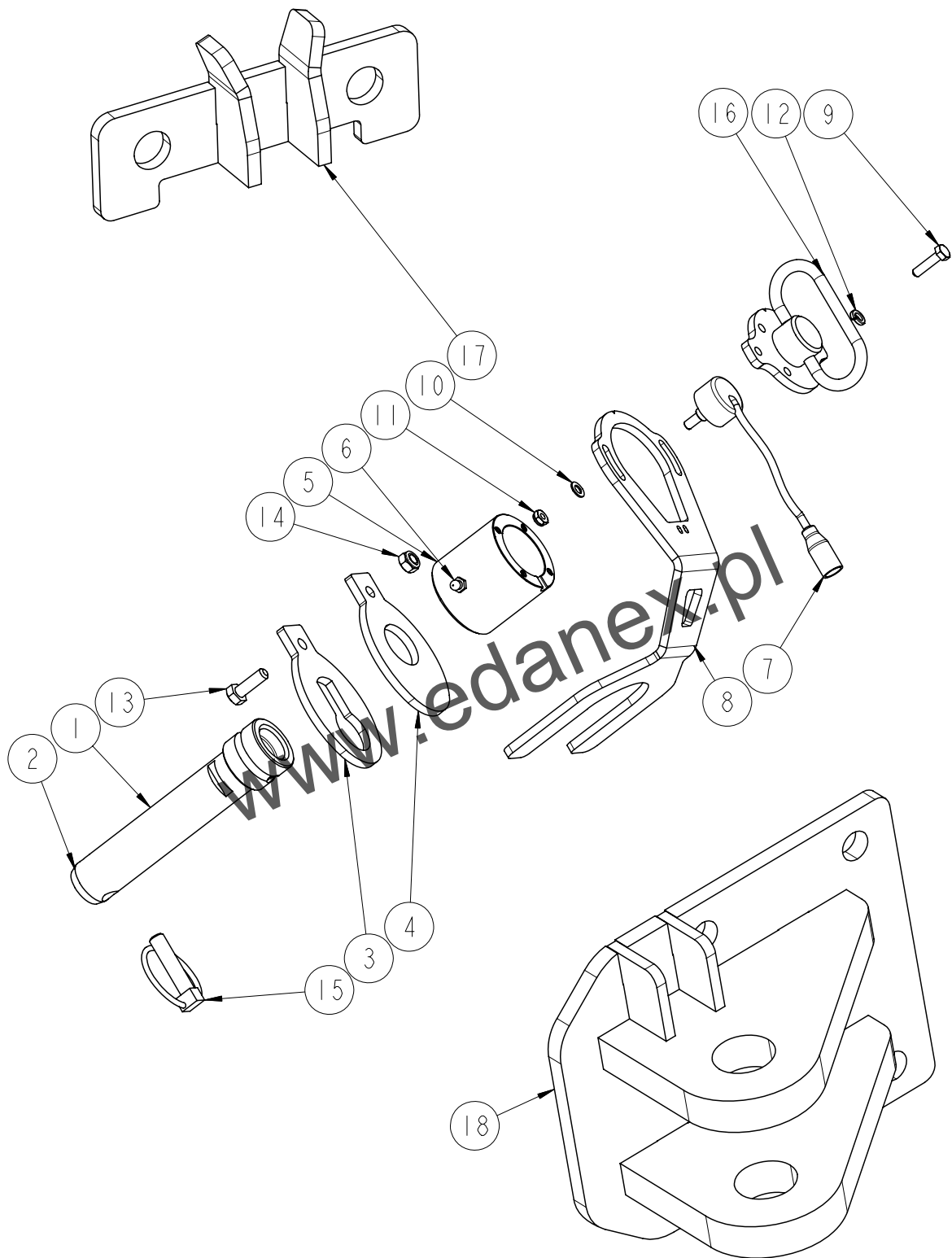
---

## **WHEEL ANGLE SENSOR**

<b>Item</b>	<b>Part Code</b>	<b>Description</b>	<b>Qty</b>
1	CEL00134	POTENTIOMETER HS2000 STEERING	1
2	CEL00163	WHEEL ANGLE SENSOR ASSY	1
3	CZF02501	6MM L POTENTIOMETER MOUNTING PART	1
4	CFA00454	SETSCREW M6 X 16 Z/P	2
5	CFA00144	WASHER FLAT 6MM Z/P	2
6	CFA00131	NUT M6 NYLOC	2
7	CFA00496	CLEVIS M8X1.25	1
8	CMH00671	PIN 8X157 THREADED BOTH ENDS Z/P	1
9	CFA00133	NUT M8 Z/P	2
10	CFA00495	BALL & SOCKET JOINT	1
11	CFA00132	NUT M8 NYLOC Z/P	1
12	CFA00102	SETSCREW M8X25 Z/P	2
13	CFA00132	NUT M8 NYLOC Z/P	2

## **STEERING ELECTRICAL COMPONENTS**

<b>Item</b>	<b>Part Code</b>	<b>Description</b>	<b>Qty</b>
1	CEL00183	SENSOR PROXIMITY STR MCH	1
2	CEL00161	LOOM EXT DRAWBAR ANGLE POT	1
3	CEL00163	WHEEL ANGLE SENSOR ASSEMBLY	1

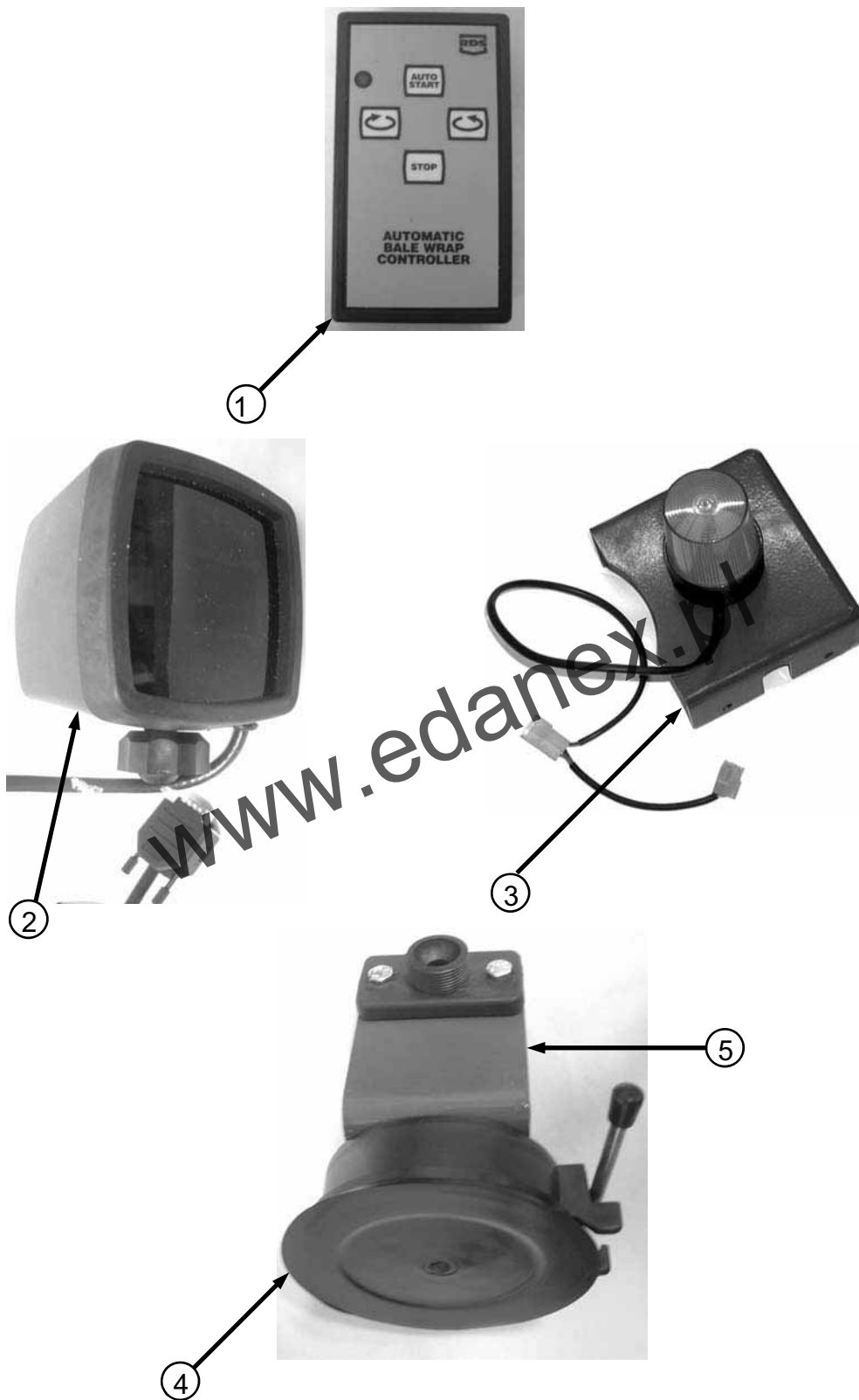




## **DRAWBAR STEERING PIN**

Item	Part Code	Description	Qty
1	ACH00231	DRAWBAR PIN ASSY HS2000	1
2	N/A	PIN 32X150 STEPPED FOR POT	1
3	CZF02530	6MM L STEERING PIN PART Z/P	1
4	CZF02531	6MM L DRAWBAR PIN PART HS2000	1
5	CMH00525	BUSH 40X50X75 Z/P	1
6	CFA00118	GREASE NIPPLE M8X1.25 STRAIGHT	1
7	N/A	POTENTIOMETER 1k D BAR ANGLE	1
8	CZF02533	6MM L DRAWBAR PIN PART HS2000	1
9	CFA00098	SETSCREW M6X25 Z/P	6
10	CFA00144	WASHER FLAT 6MM Z/P	2
11	CFA00131	NUT M6 NYLOC	2
12	CFA00396	WASHER SPRING M6 Z/P	4
13	CFA00102	SETSCREW M8X25 Z/P	1
14	CFA00132	NUT M8 NYLOC Z/P	1
15	CFA00005	LINCH PIN 10MM	1
16	CTP00043	HS 2000 STEERING PIN HANDLE	1
17	ACH00234	COMBI BALER HITCH MOD. BRCKT.	1
18	ACH00263	HS2000 CLEVIS HITCH ASSEMBLY	1

**Note:** If part(s) marked as N/A are required, than in this case, the full unit, part number ACH00231, must be ordered.

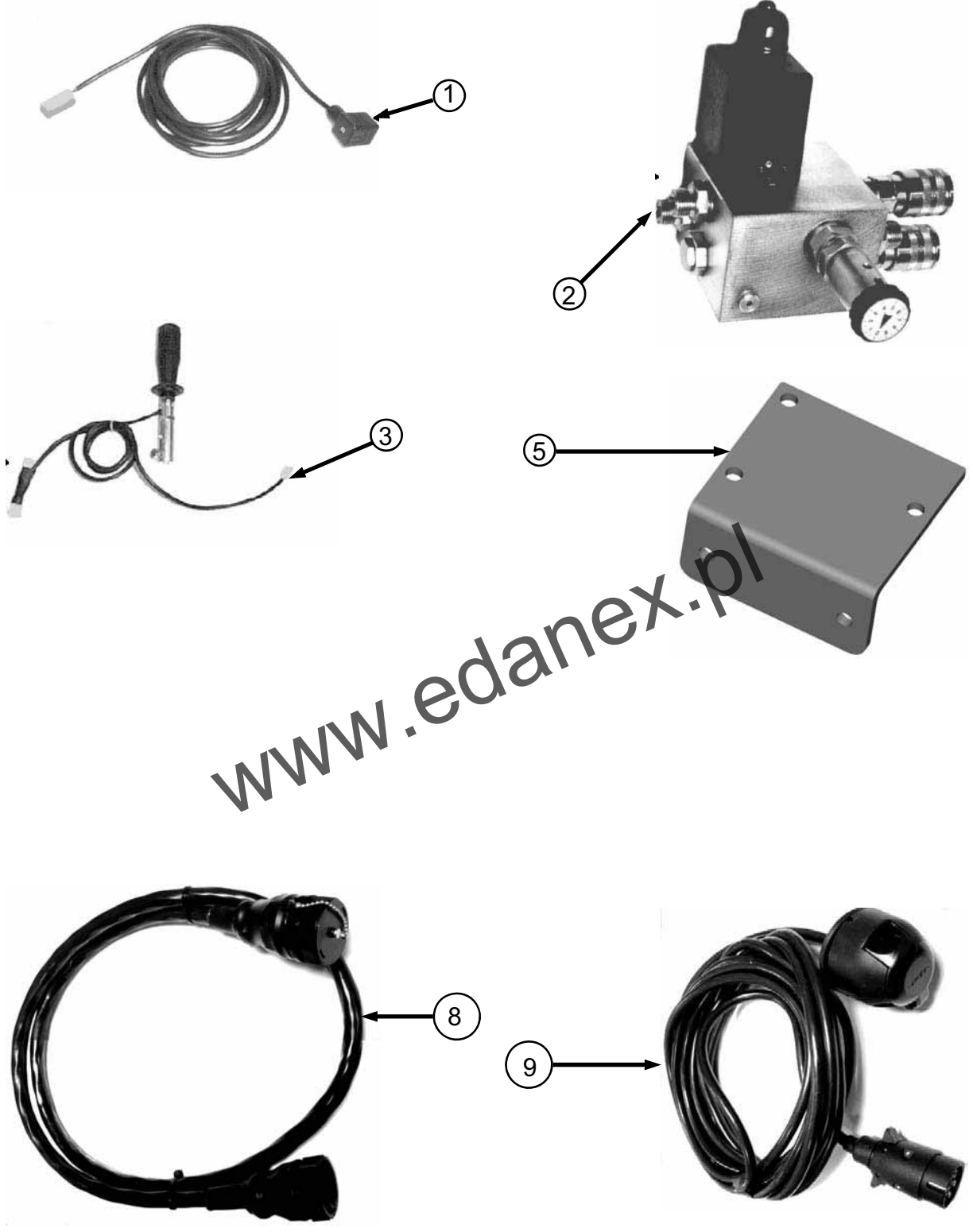


---

## **REMOTE CONTROL OPTION**

<b>Item</b>	<b>Part Code</b>	<b>Description</b>	<b>Qty</b>
	KST00021	KIT REMOTE & BEACON HS2000	1
1	CEL00013	REMOTE HAND PIECE	1
2	CEL00012	REMOTE RECEIVER	1
3	CEL00184	BEACON HS2000	1
4	CPL00007	VACUUM PAD FLAT BACK	1
5	CZD02128	4MM L REMOTE POD BRACKET	1

[www.edanex.pl](http://www.edanex.pl)



---

## **BALER KIT OPTIONS: DIVERTER VALVE**

Item	Part Code	Description	Qty
1	CEL00033	LOOM SWITCH DIVERTER COMBI	1
2	CVA00025	VALVE DIVERTER FLOW REGULATOR	1
3	CEL00030	SWITCH DIVERTER VALVE COMBI	1
4	CHY00129	HOSE KIT DIVERTER VALVE HS2000	1
5	CZF00248	6MM L COMBI VALVE PLATE	1

## **BALER TO HS2000 KIT**

Item	Part Code	Description	Qty
1	CHY00111	5/8" 2500MM F BSP 0° TO F BSP 0°	1
2	CHY00113	5/8" 2800MM F BSP 0° TO F BSP 0°	1
3	CHY00114	5/8" 400MM F BSP 0° TO M BSP 0°	1
4	CHY00115	1/2" 2700MM M BSP 0° TO F BSP 90°	2
5	CHY00116	1/2" 400MM F BSP 0° TO M BSP 0°	1
6	CHY00117	1/2" 2700MM F BSP 0° TO F BSP 0°	1
7	CHY00118	1/4" 5700MM 3/8" M BSP 0° TO 3/8" M BSP 0°	1
8	CEL00086	LOOM EXT 37 PIN 7M	1
9	CEL00026	LOOM LIGHTING EXT COMBI	1



1



3



2



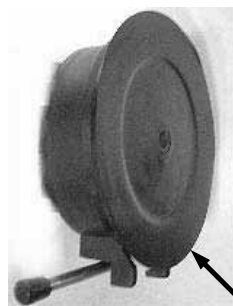
4



5



7



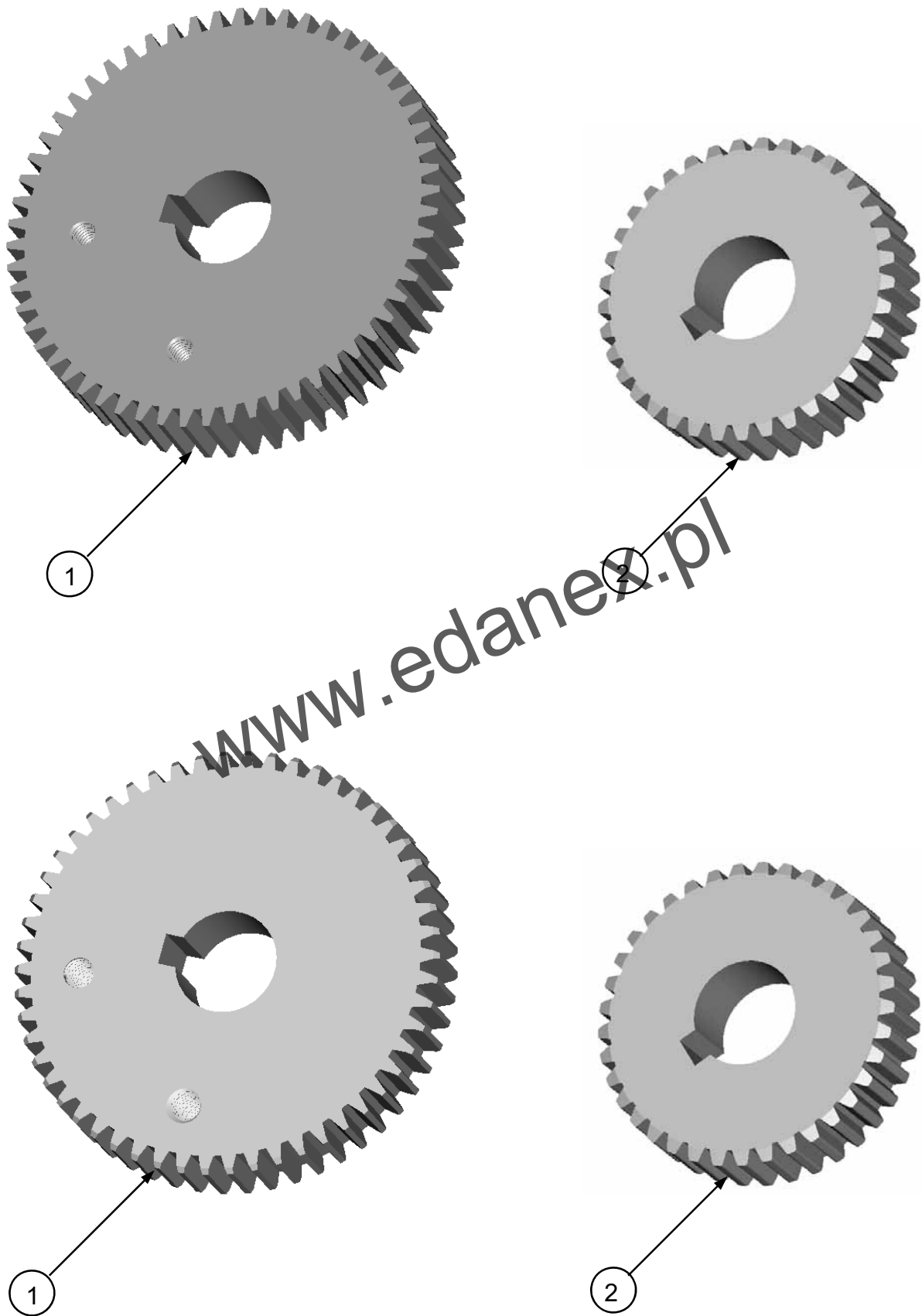
6

---

## **CAMERA KIT OPTION**

<b>Item</b>	<b>Part Code</b>	<b>Description</b>	<b>Qty</b>
	KST00013	KIT TV MONITOR COMBI	1
1	CEL00070	TV MONITOR	1
2	CEL00116	TV CAMERA COMBI	1
3	CEL00127	COMBI T.V POWER AMPLIFIER	1
4	CEL00034	LOOM POWER CCTV & AUTO CONT'	1
5	CEL00042	CAMERA/TV CABLE	1
6	CPL00007	VACUUM PAD FLAT BACK	1
7	CZB00117	1.5MM L COMBI CAMERA BRACKET	1

[www.edanex.pl](http://www.edanex.pl)





---

## **70% GEAR OPTION: STANDARD**

**Note:** This gear ratio is standard with all HS2000 series wrappers. See page 16.

Item	Part Code	Description	Qty
	ADP00018	KIT DISPENSER GEARS 70%	1
1	CMH00055	GEAR SPUR 1.5M 60T DISPENSER	1
2	CMH00175	GEAR SPUR 1.5M 35T DISPENSER	1

## **55% GEAR OPTION (HOT CLIMATES)**

Item	Part Code	Description	Qty
	ADP00019	KIT DISPENSER GEARS 55%	1
1	CMH00057	GEAR SPUR 1.5M 58T DISPENSER	1
2	CMH00174	GEAR SPUR 1.5M 37T DISPENSER	1

## **32% ENDURO PLASTIC OPTION**

Item	Part Code	Description	Qty
	ADP00085	KIT DISPENSER GEARS 32%	1
1	CMH00388	GEAR SPUR 1.5M 54T DISPENSER	1
2	CMH00389	GEAR SPUR 1.5M 41T DISPENSER	1

---

**NOTES:**

[www.edanex.pl](http://www.edanex.pl)