

McHale

McHale Engineering Limited

998 SQUARE BALE WRAPPER

SPARE PARTS MANUAL
ISSUE 7



McHale Engineering Limited,
Ballinrobe,
County Mayo,
Ireland.

Tel. +353 94 9520300.

Fax. +353 94 9520356

Email: sales@mchale.net

Website: www.mchale.net



Reg. No. 0129

998 SQUARE BALE WRAPPER

SPARE PARTS MANUAL

ISSUE 7

www.edanex.pl

Introduction

The **McHale 998 square bale wrapper** which you have purchased has been developed through years of constant research and development. Given proper care and attention the **998** will give years of reliable and dependable performance. However it is important that the operators manual is read and fully understood to achieve this, **before** the machine is operated. As part of this philosophy it is vital to use only **genuine McHale** replacement parts, as these are manufactured to the same standard as the original machine. These may be obtained through your **McHale** dealer.

If any part of this manual is not fully understood please contact your **McHale** dealer who will be able to answer any questions you may have. It is important to quote the machine serial number when requiring spare parts or technical assistance. Space is provided below to record machine details

www.edanex.pl

Serial number:	
Year of manufacture:	
Date of delivery:	

If you require further copies of this parts manual
please quote part number: CLT00071

Due to a policy of continuous product development and improvement, McHale Engineering Ltd reserve the right to alter machine specification without prior notice.

Contents

Title	Page
Abbreviations	5
Chassis	6
Stub axle/wheel	10
Arch	12
Dispenser reduction	14
Dispenser drive	16
Dispenser	18
Cut & hold backplate	20
Cut & hold slider	22
Unloading roller	24
Cradle arm	26
Roller cradle	30
Drawbar	32
Headstock	34
PTO shaft	36
Hydraulic tank	38
Main conveyor rear drive	40
Bale position sensor arms	44
Front conveyor	46
Spare film holder	50
Hydraulic control valve	52
Roller rotation block	54
Dispenser drive block	56
Steel hydraulic pipes	58
Electronic components 1	60
Electronic components 2	62
Lighting	64
Decals	66
Options	69

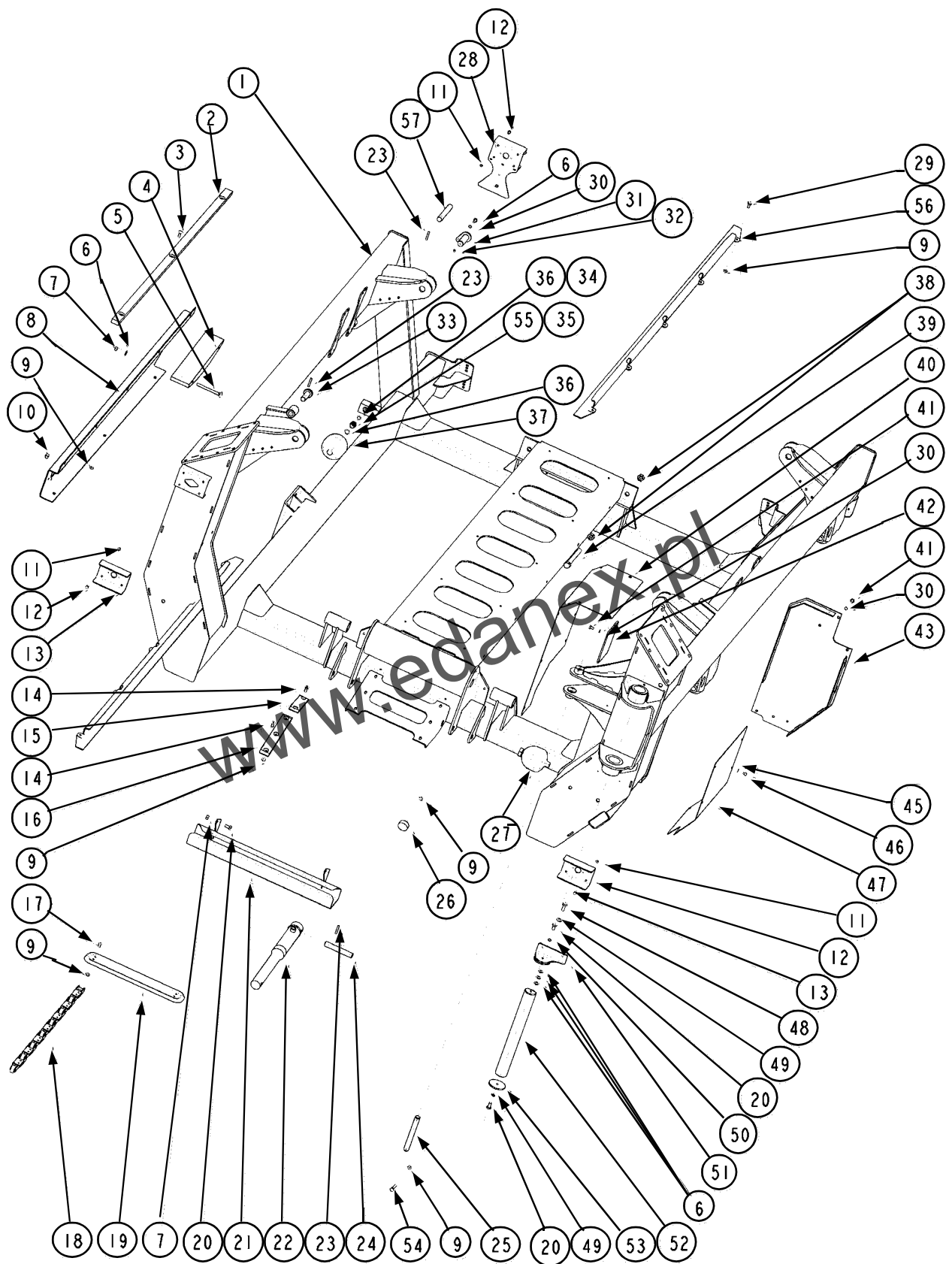
Note:

Parts described as left and right are done so according to direction the machine normally travels in. For example the drawbar side of the machine is the left hand side.

Abbreviations

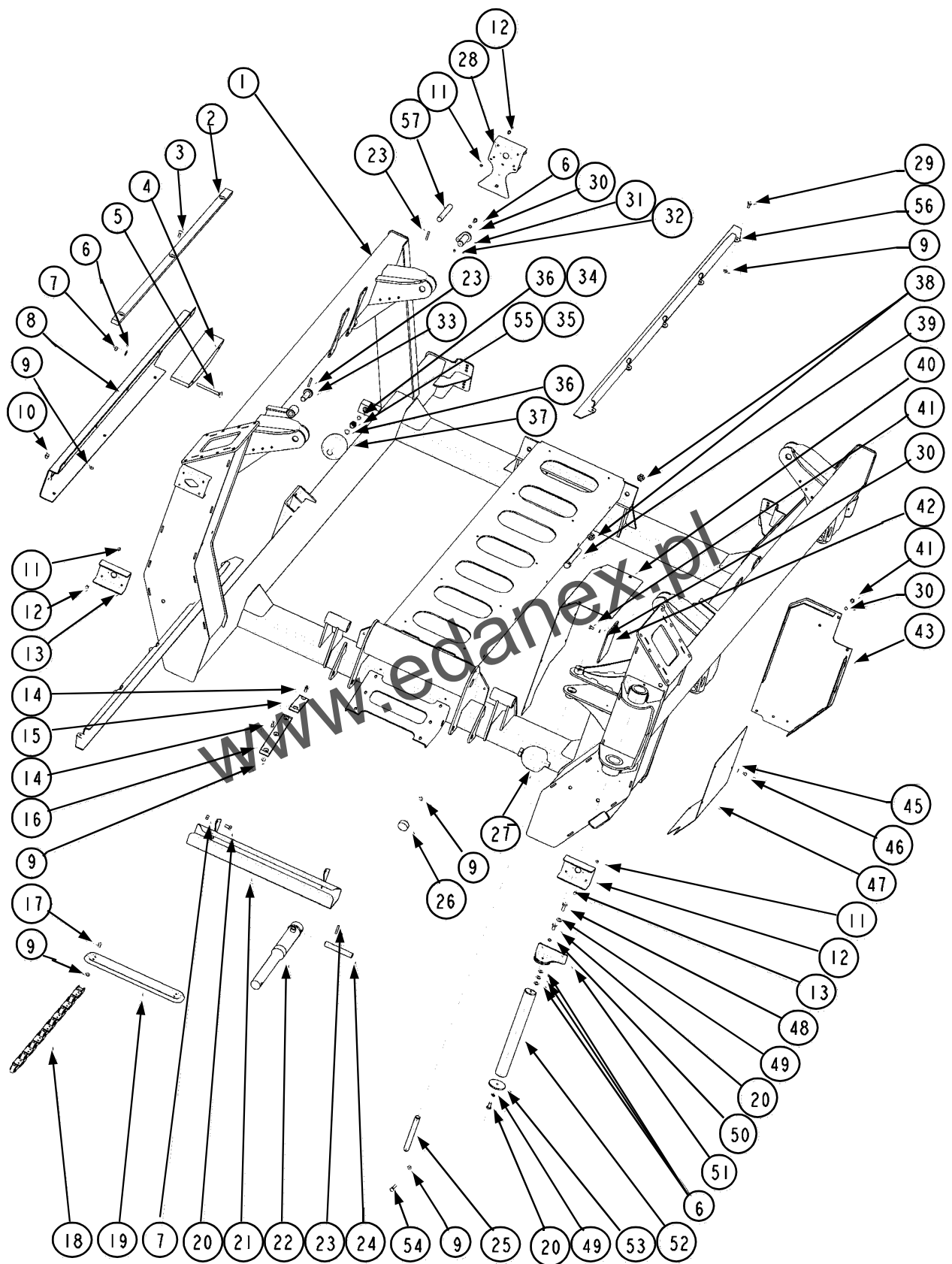
A/R	As required
NLS (1)	No longer supplied, refer to item 1
U90001	Used up and including to serial number 90001
F90001	Used from and including serial number 90001

www.edanex.pl



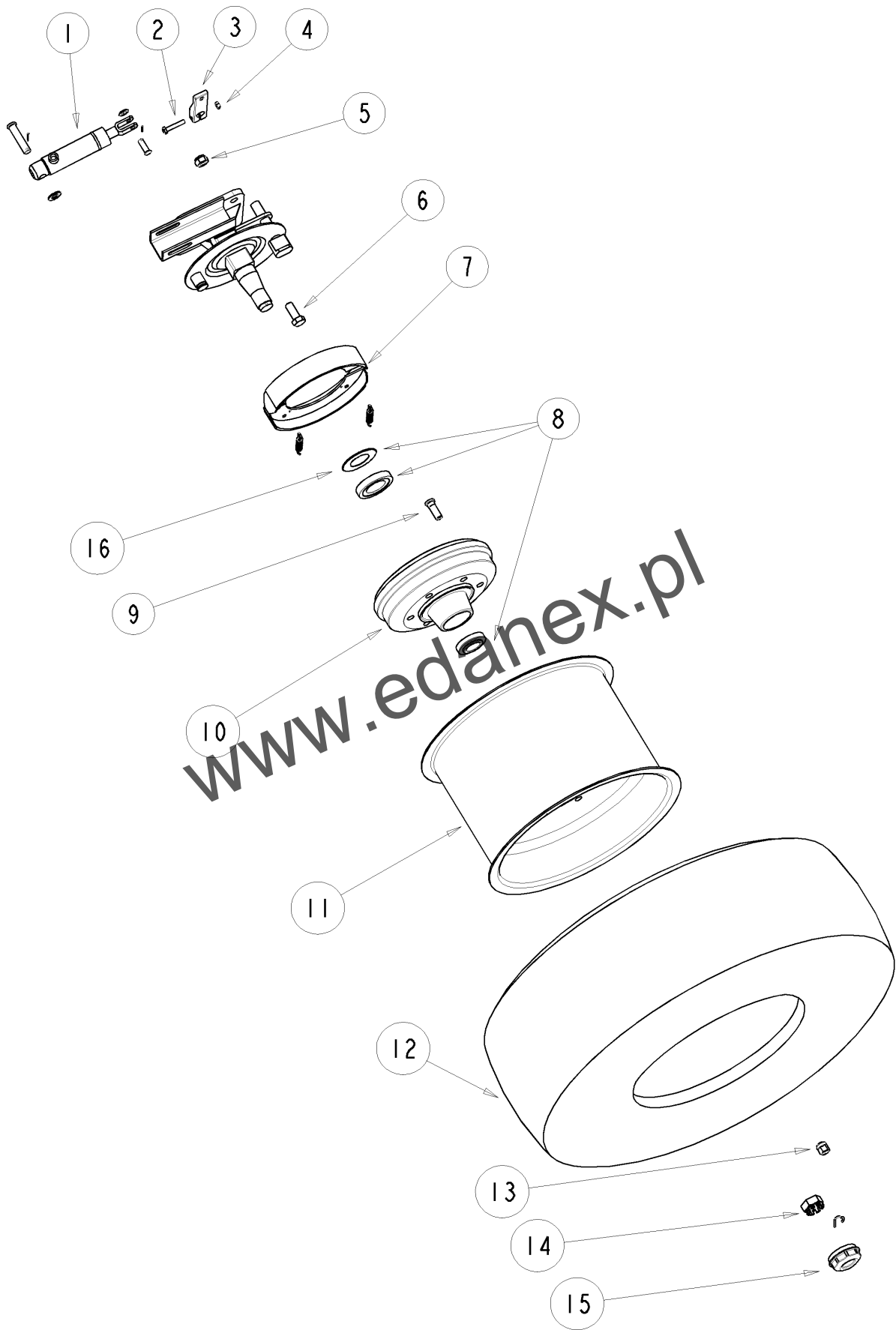
CHASSIS

No.	PART NUMBER	DESCRIPTION	QUANTITY
1	ACH00001	CHASSIS	1
2	CMH00249	BOTTOM RUNNER STRIP (WOOD)	2
3	CFA00017	SETSCREW, M10x30 CUP SQUARE Z/P	6
4	CMH00329	CHAIN GUIDE (WOOD)	2
5	CFA00289	BOLT, M12x130 CUP SQUARE Z/P	4
6	CFA00138	WASHER, 12mm FLAT	7
7	CFA00124	NUT, M12 NYLOC	8
8	CZD02079	CONVEYOR BOTTOM RUNNER LIP RIGHT	1
	CZD02100	CONVEYOR BOTTOM RUNNER LIP LEFT	1
9	CFA00123	NUT, M10 NYLOC	204
10	CFA00126	NUT, M14 NYLOC	10
11	CFA00132	NUT, M8 NYLOC	8
12	CFA00052	SETSCREW, M8x20 Z/P	8
13	CZD02035	FRONT LIGHT BRACKET	2
14	CFA00290	SETSCREW, M10x30 CSK HEX	10
15	CMH00247	SHORT WEAR STRIP (PLASTIC)	2
16	CMH00246	LONG WEAR STRIP (PLASTIC)	2
17	CFA00243	SETSCREW, M10x20 BUTTON HEAD	188
	ACH00037	MAIN CONV. CHAIN COMPLETE (9,17,18,19)	1
18	CCH00014	MAIN CONV. SINGLE CHAIN C/W JOINER	2
	CCH02008	JOINER LINK	2
	CCH02012	INNER LINK (ATTACHMENT)	A/R
19	CZC02001	CONVEYOR SLAT (F90001)	47
	CZC02017	CONVEYOR SLAT (U9809)	47
	CFA00031	SETSCREW, M12x25 Z/P	6
21	ACH00038	HYDRAULIC HOSE TRAY	1
22	CRA00082	CONVEYOR LIFT CYLINDER COMPLETE	1
	CSE00084	LIFT CYLINDER SEAL KIT	1
	CRA00088	LIFT CYLINDER ROD	1
	CRA00089	LIFT CYLINDER GLAND	1
23	CFA00010	ROLL PIN, 8x50 Z/P	11
24	CMH00276	LIFT CYLINDER REAR PIVOT PIN	2
25	CMH00071	DRAWBAR CYLINDER REAR PIVOT PIN	1
26	CBE00002	RUBBER BUFFER	2
27	CVA03010	HYDRAULIC ACCUMULATOR, 30 BAR	1
28	ACH00051	REAR LIGHT BRACKET	2
29	CFA00024	SETSCREW, M10x25 Z/P	16
30	CFA00137	WASHER, 10mm SPRING	8
31	ACH00042	CRADLE PIVOT PIN	4
32	CFA00118	GREASE NIPPLE, M8 STRAIGHT	4
33	CMH00287	SLOTTED LINK TOP PIN	2



CHASSIS

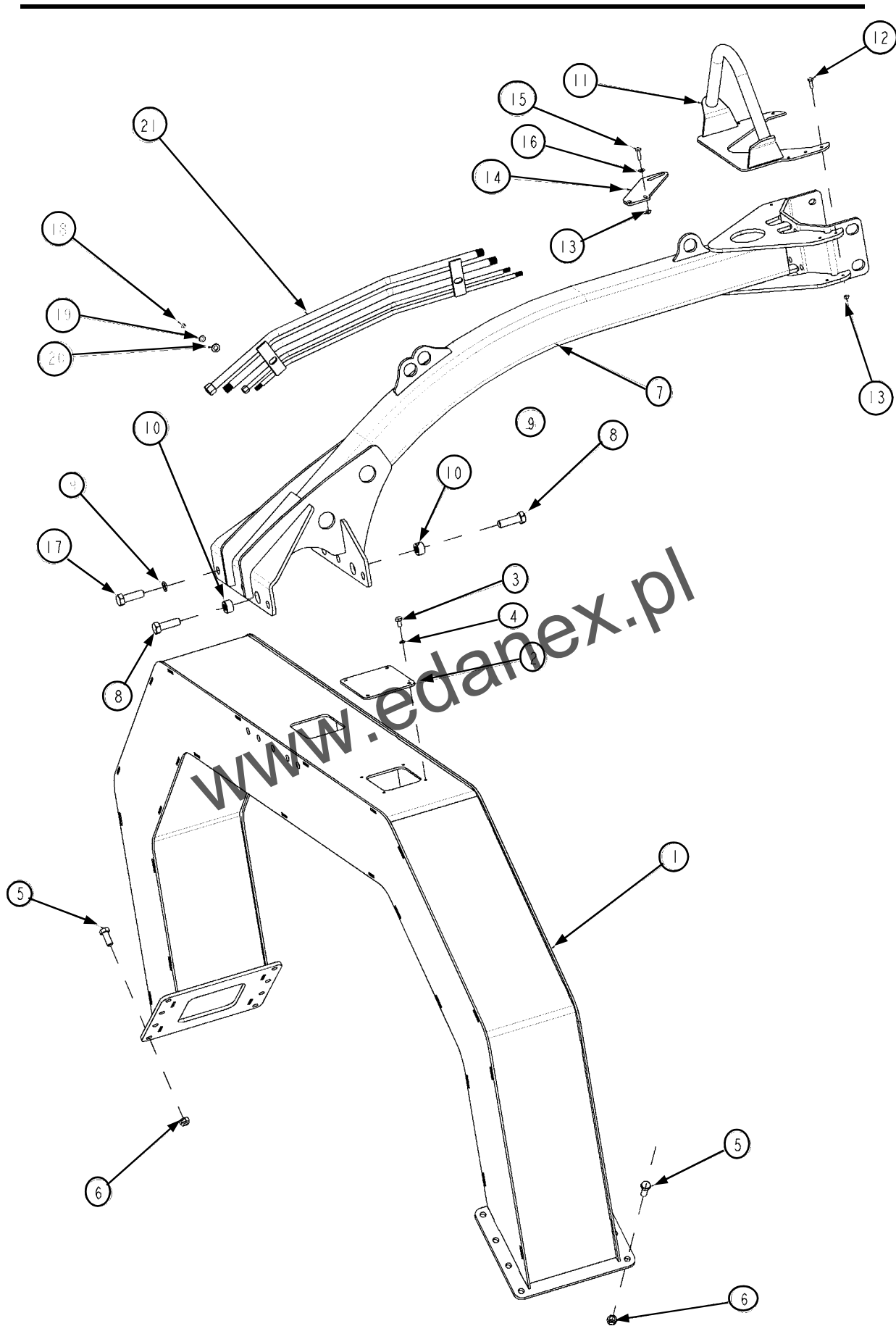
No.	PART NUMBER	DESCRIPTION	QUANTITY
34	CHY00020	WASHER, 3/8" "DOWTY" (U90054)	2
35	CHY02008	ADAPTER, 3/8"-1/2" (U90054)	2
36	CHY00053	WASHER, 1/2" "DOWTY"	4
37	CVA03011	HYDRAULIC ACCUMULATOR, 70 BAR	2
38	CFA00305	NUT, M20 PLAIN Z/P	4
39	ACH00039	MAIN CONVEYOR ADJUSTER BOLT	2
40	CZB02018	HYDRAULIC VALVES INNER COVER	1
41	CFA00023	SETSCREW, M10x20 Z/P	9
42	CZF02133	INSPECTION COVER	1
43	ACH00040	HYDRAULIC VALVES REAR COVER	1
45	CFA00251	WASHER, 10mm SKM	16
46	CFA00292	SETSCREW, M8x10 SOCKET CAP	16
47	CZB02017	HYDRAULIC VALVES OUTER COVER	1
48	CFA00033	SETSCREW M12x35 Z/P	1
49	CFA00250	WASHER, 12mm SKM	1
50	CFA00207	WASHER, 12mm SPRING	1
51	ADB00011	DRAWBAR MAIN PIVOT PIN CAP	1
52	CMH00259	DRAWBAR MAIN PIVOT PIN	1
53	CZF02105	WASHER, 12x85x6	1
54	CFA00027	BOLT M10x60 Z/P	1
55	CHY02013	ADAPTER, 1/2"-1/2" (F90055)	2
56	CZD02102	CHAIN RUNNER (F249995)	2
57	CMH00030	BOTTOM BALE LIFT CYLINDER PIN	4
	CMH00070	MAIN CONVEYOR REAR DRIVE HINGE PIN	2
	ACH00053	CHAIN DOWN CLAMP (U90055)	4
	CTP00046	WHEEL CHOCK (F250172)	2
	CTP00047	WHEEL CHOCK BRACKET (F250172)	2



STUB AXLE/WHEEL

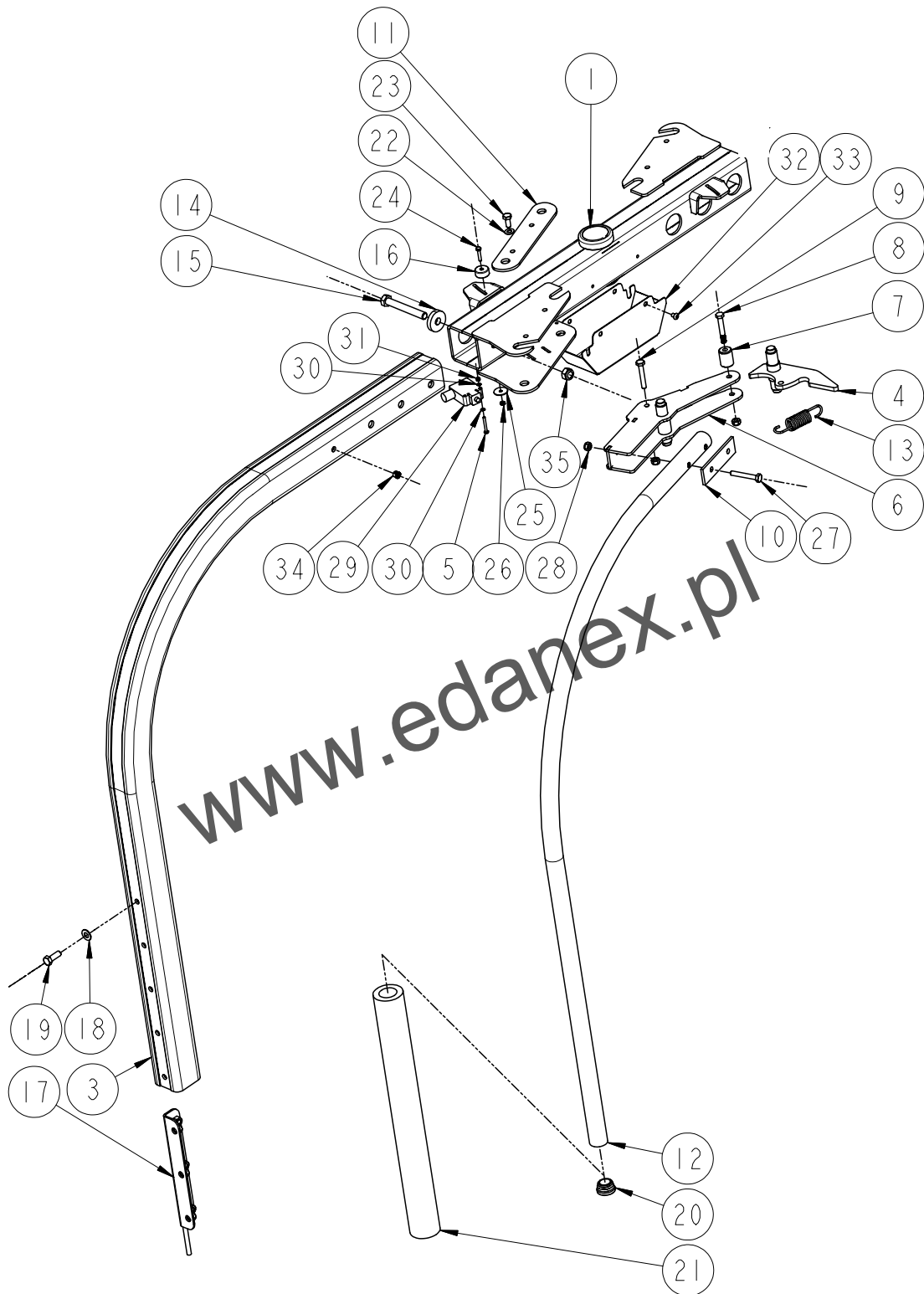
QUANTITIES ARE PER SIDE

No.	PART NUMBER	DESCRIPTION	QUANTITY
	CAX00012	STUB AXLE, COMPLETE (HYD + AIR) LEFT	1
	CAX00013	STUB AXLE, COMPLETE (HYD + AIR) RIGHT	1
1	CRA00100	BRAKE OPERATING CYLINDER (HYD)	1
2	CFA00127	BOLT M10x60 Z/P	1
3	CAX00018	BRAKE OPERATING LEVER	1
4	CFA00008	NUT M10 PLAIN	1
5	CFA00129	NUT M20 NYLOC	6
6	CFA00302	SETSCREW, M20x50 Z/P	6
7	CAX00019	BRAKE SHOES (SET) (FAD)	1
8	ACH00047	BEARING KIT (2 BEARINGS & SEAL) ADR	1
	ACH00048	BEARING KIT (2 BEARINGS & SEAL) FAD	1
9	CFA00236	WHEEL STUD	6
10	CAX00020	HUB (BRAKED)	1
	CWH00007	WHEEL COMPLETE (16/70-20)	1
	CWH00013	WHEEL COMPLETE (15/70-18)	1
11	CWH00014	WHEEL CENTRE (14x20)	1
12	CWH00016	TYRE (16/70-20)	1
13	CFA00121	WHEEL NUT	6
14	CAX00022	HUB NUT (ADR)	1
	CAX00023	HUB NUT (FAD)	1
15	CAX00024	HUB CAP (ADR)	1
	CAX00025	HUB CAP (FAD)	1
16	CSE00004	HUB SEAL (ADR)	1
	CSE00007	HUB SEAL (FAD)	1



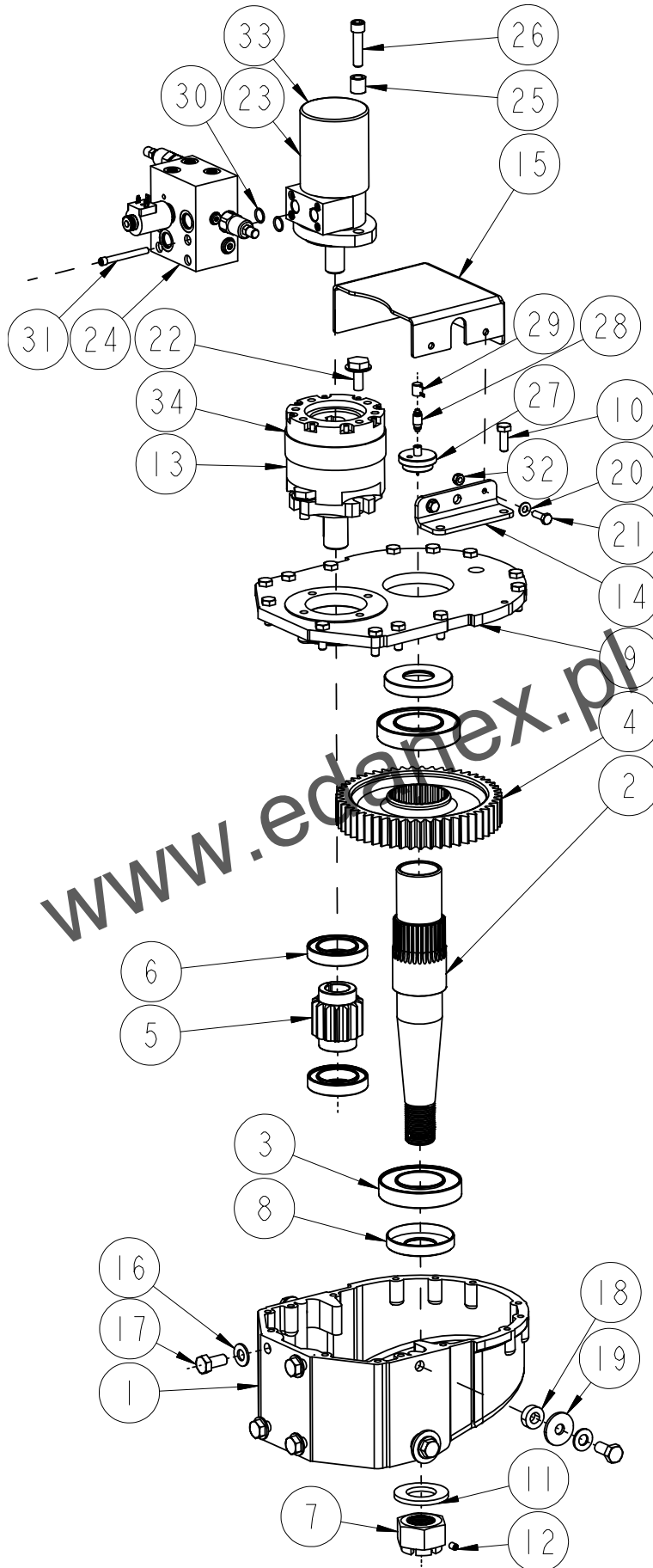
ARCH

No.	PART NUMBER	DESCRIPTION	QUANTITY
1	ACH00044	ARCH	1
2	CZF02133	INSPECTION COVER	1
3	CFA00023	SETSCREW, M10x20 Z/P	4
4	CFA00137	WASHER, 10MM SPRING	4
5	CFA00151	SETSCREW, M16x40 Z/P	16
6	CFA00128	NUT, M16 NYLOC	16
7	ACH00240	TOP ARM	1
8	CFA00302	SETSCREW M20x50 Z/P	4
9	CFA00329	WASHER M20 SPRING Z/P	6
10	CMH00107	DOWEL Z/P	4
11	ATR00018	TOP REDUCTION GUIDE	1
12	CFA00102	SETSCREW M8x25 Z/P	2
13	CFA00132	NUT M8 NYLOC	2
14	CZF02631	SENSOR PLATE	1
15	CFA00316	BOLT M8x30 Z/P	2
16	CFA00249	WASHER SKM8	2
17	CFA00381	BOLT M20 X 50 Z/P	6
18	CFA00292	M8 X 10 SOCKET HEAD BOLT	2
19	CFA00249	WASHER SKM8	2
20	CFA00251	WASHER SKM10	2
21	CHY02107	STEEL HYDRAULIC PIPE ASSEMBLY	1



DISPENSER REDUCTION

No.	PART NUMBER	DESCRIPTION	QUANTITY
1	ADP00070	DISPENSER CENTRE ARM	1
3	CXB00181	DISPENSER SIDE ARM	2
4	ADP00046	DISPENSER SAFETY LATCH	2
5	CFA00314	SETSCREW M5x40 Z/P	4
6	ADP00089	SAFETY ARM BRACKET	2
7	CMH00415	BUSH 12x30x42 NYLON	2
8	CFA00426	SHOULDER SCREW M10x70 Z/P	2
9	CFA00028	BOLT M10x65 Z/P	2
10	CZF02356	SAFETY ARM SECURING PLATE	2
11	CZF02331	SAFETY ARM BRACKET	2
12	CGD00028	DISPENSER SAFETY ARM	2
13	CSG00021	SAFETY ARM RETURN SPRING	2
14	CZH00128	WASHER 10MM	4
15	CFA00209	BOLT M16x120 Z/P	4
16	CEL00017	MAGNET BLUE WHEEL	2
17	ADP00057	DISPENSER ARM BACK BRACKET	2
18	CFA00250	WASHER SKM12	12
19	CFA00297	BOLT M12x40 Z/P	12
20	CBC00005	PLASTIC CAP	2
21	CPL00028	SAFETY BAR INSULATION	2
22	CFA00251	WASHER SKM10	2
23	CFA00293	SETSCREW M10x20 Z/P	2
24	CFA00099	SETSCREW M6x40 Z/P	2
25	CFA00145	WASHER MUDWING M6 32MMOD	4
26	CFA00131	NUT M6 NYLOC	4
27	CFA00383	BOLT M10x70 Z/P	4
28	CFA00123	NUT M10 NYLOC	6
29	CEL00038	SAFETY ARM SWITCH	2
30	CFA00320	WASHER FLAT 5MM	4
31	CFA00321	NUT M5 NYLOC	4
32	CZB02050	LOOM COVER	1
33	CFA00447	SETSCREW M8x10 BUTTON HD Z/P	2
35	CFA00128	NUT M16 NYLOC	4

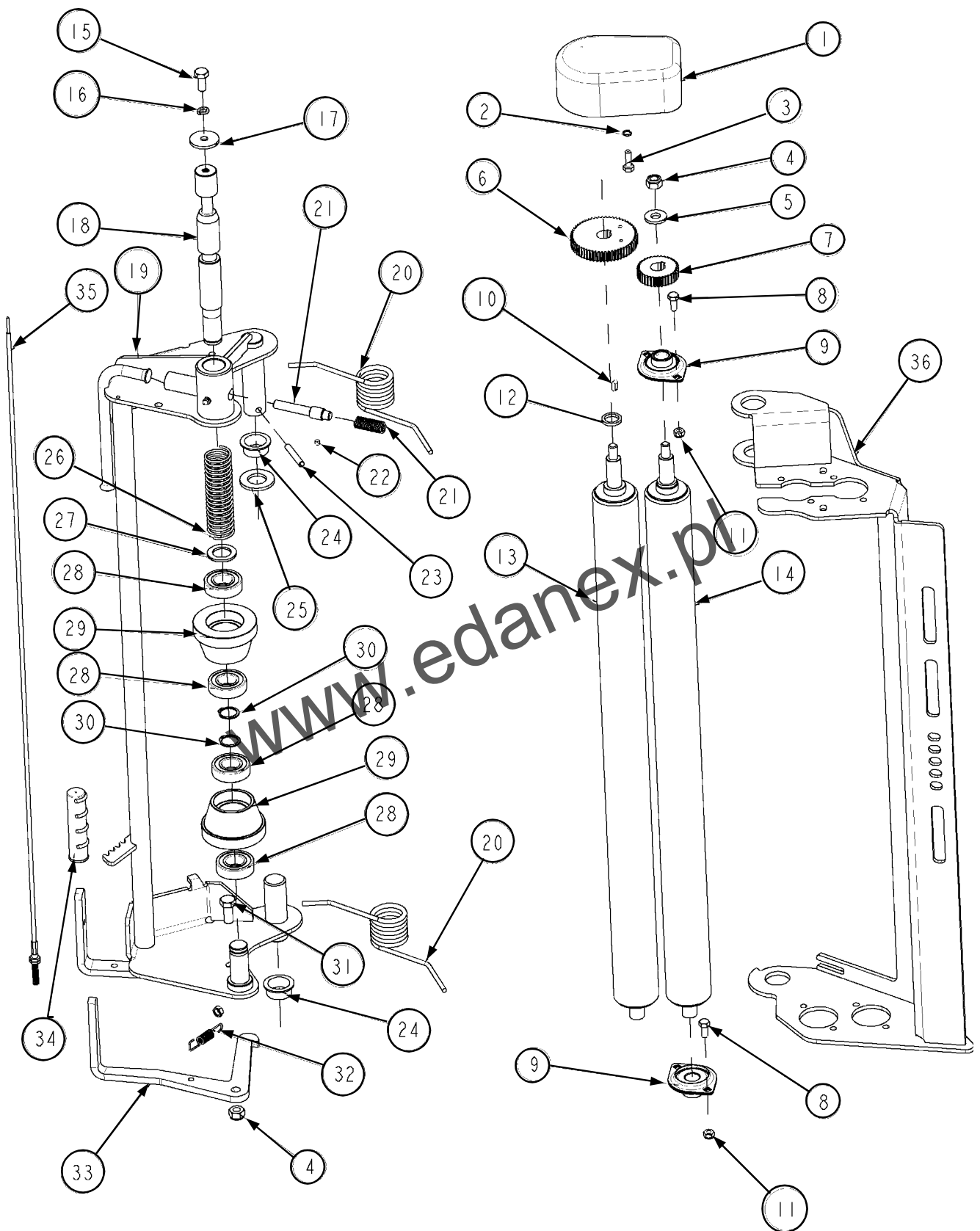


DISPENSER DRIVE

No.	PART NUMBER	DESCRIPTION	QUANTITY
1	CMT00033	GEARBOX DISPENSER ROTATION	1
2	CMT00035	GEARBOX SHAFT TOP/REDU.C2000	1
3	CBR00048	BEARING 6212	2
4	CMH00410	GEAR SPUR COMBI GEARBOX	1
5	CMH00409	GEAR SPUR XM 14T COMBI GEARBOX	1
6	CBR00047	BEARING SNR 6010	2
7	CFA00411	NUT COMBI GEARBOX	1
8	CSE00095	SEAL GEARBOX COMBI	2
9	CMT00040	GEAR BOX COVER PLATE COMBI	1
10	CFA00025	SETSCREW M10X30	13
11	CFA00412	WASHER 39X72X6	1
12	CFA00051	GRUBSCREW M8X10	1
13	CMT00004	BRAKE UNIT HYDRAULIC	1
14	CZF02358	6MM L SENSOR BRACKET COMBI 2000	1
15	CZD02171	4MM L SENSOR GUARD COMBI 2000	1
16	CFA00449	WASHER SKM14	8
17	CFA00398	SETSCREW M14X30 Z/P	8
18	CZH02210	10MM L WASHER 15X30X10	2
19	CZD02166	4MM L WASHER 14X45X4	2
20	CFA00249	WASHER SKM8	2
21	CFA00102	SETSCREW M8X25 Z/P	2
22	CFA00276	SETSCREW M12X30 FLD ZP	4
23	CMT00070	MOTOR 260CC 2BOLT 25SHAFT	1
24	CVA00153	VALVE ASY ARM ROTATION 998 03	1
25	CMH00756	BUSH 12X20X20	2
26	CFA00535	BOLT M12 X 50 SOC	2
27	CEL00138	SLIPRING CON BOTTOM ASY 3WAY	1
28	CEL00136	SLIPRING ROTARY CON 3 WAY	1
29	CEL00137	SLIPRING CON TOP ASY 3 WAY	1
30	CSE00117	SEAL O-RING 18X2 NBR 80	2
31	CFA00548	BOLT M8 X 70 SOC CAP ZP	4
32	CFA00132	NUT M8 NYLOC Z/P	2
33	CSE00111	SEAL KIT FOR TE SERIES MOTORS	1
34	CSE00101	SEAL KIT BRAKE UNIT BTM MODEL	1

Note: 1. For machines with serial no.'s ranging from 250235 to 250160 use part number ADP00097 when ordering a replacement motor or valve block (this kit replaces both motor and valve block as motor CMT00005 is no longer available).

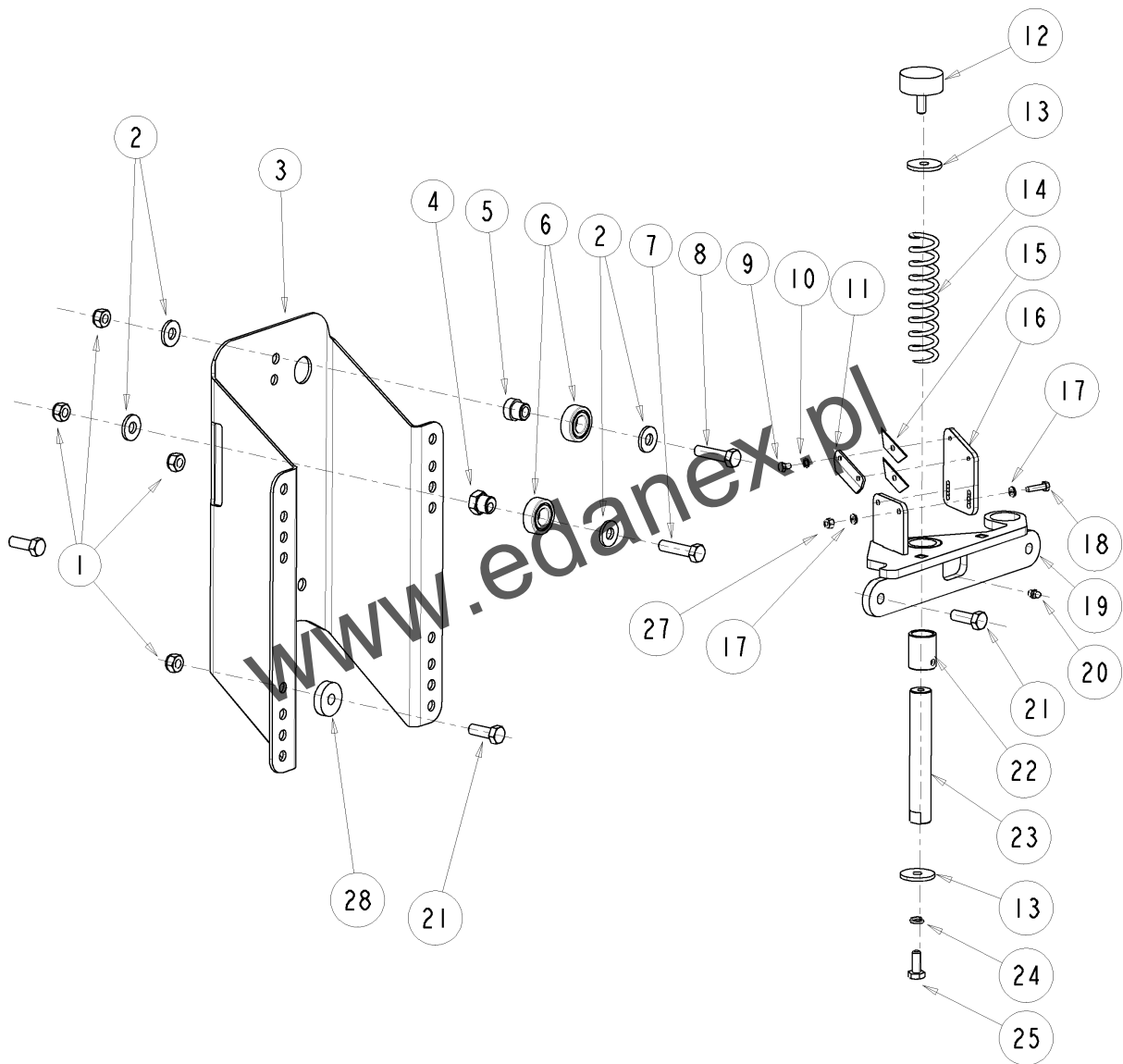
2. For machines with serial no.'s ranging from 250159 and below, kit ADP00118 is required.



DISPENSER

QUANTITIES SHOWN ARE PER UNIT. 2 UNITS PER MACHINE

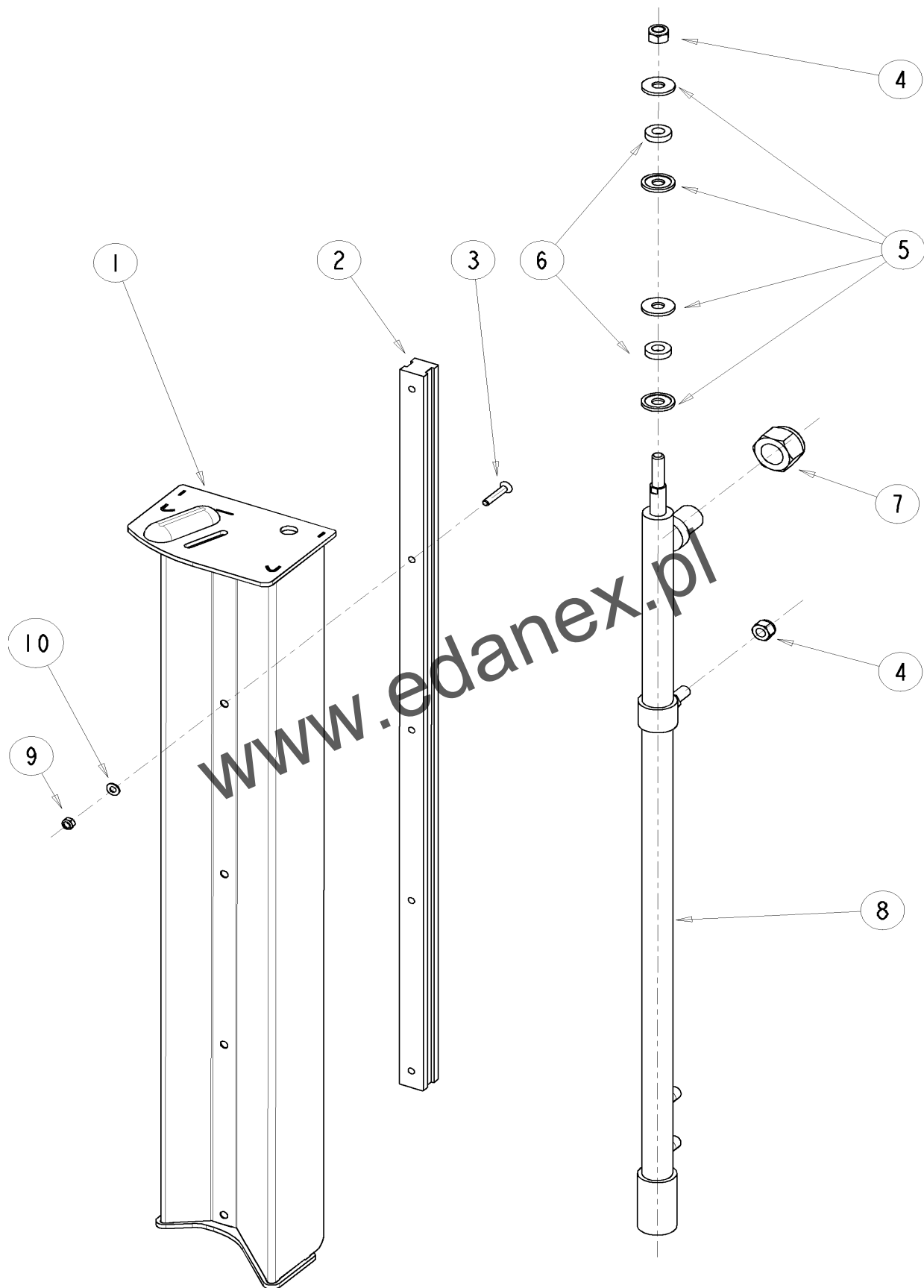
No.	PART NUMBER	DESCRIPTION	QUANTITY
	ADP00086	DISPENSER ASSEMBLY COMPLETE	1
1	CDG00001	GUARD DISPENSER GEARS	1
2	CFA00185	WASHER SPRING 8MM Z/P	2
3	CFA00102	SETSCREW M8x25 Z/P	2
4	CFA00124	NUT M12 NYLOC	3
5	CFA00139	WASHER FLAT 12MM HD Z/P	2
6	CMH00056	GEAR SPUR 1.5M 59T DISPENSER 64%	1
6	CMH00057	GEAR SPUR 1.5M 58T DISPENSER 55%	1
7	CMH00096	GEAR SPUR 1.5M 36T DISPENSER 64%	1
7	CMH00174	GEAR SPUR 1.5M 37T DISPENSER 55%	1
8	CFA00052	SETSCREW M8x20 Z/P	8
9	CBR00004	BEARING SLFL20	4
10	CFA00153	KEY 6x6x15	2
11	CFA00132	NUT M8 NYLOC Z/P	8
12	CZD00114	DISPENSER SPACER	2
13	CMH00034	ROLLER DISPENSER PRIMARY	1
14	CMH00035	ROLLER DISPENSER SECONDARY	1
15	CFA00024	SETSCREW M10x25 Z/P	1
16	CFA00137	WASHER SPRING 10MM HD Z/P	1
17	CZD00118	CUT AND TIE SPACER	1
18	CMH00619	PIN 30x280 STEPPED Z/P (750mm FILM)	1
18	CMH00661	PIN 30x535 STEPPED Z/P (500mm FILM)	
19	ADP00040	DISPENSER FILM HOLDER ASSEMBLY	1
20	CSG00031	SPRING TOR. 6.35WDx480Dx7.8 COIL	2
21	CSG00010	SPRING COMP 1.625x16x40x8	1
22	CMH00197	PIN 16x84 STEPPED Z/P	1
22	CFA00208	GRUBSCREW M6x6 Z/P	1
23	CFA00010	ROLL PIN 8x50 Z/P	1
24	CBR00068	BEARING 30x34x16 STEPPED PLAS	2
25	CFA00135	WASHER FLAT 1" Z/P	1
26	CSG00009	SPRING COMP 2.95x37x197x12	1
27	CZC00112	DISPENSER SPACER	1
28	CBR00009	BEARING 6205 2RS	4
29	CMH00087	COIL ROLLER (2 BEARING TYPE)	2
30	CFA00001	CIRCLIP 25MM EXTERNAL Z/P	2
31	CFA00032	SETSCREW M12x30 Z/P	1
32	CSG00013	SPRING EXT. 1.83x12x65x14.5	1
33	CZH02165	DISPENSER HANDLE PART	1
34	CBC00012	CAP PLASTIC HANDGRIP 7/8"	1
35	CFA00242	CABLE ROLLER RELEASE 1095	1
36	ADP00051	DISPENSER MAIN FRAME	1



CUT & HOLD BACKPLATE

QUANTITIES ARE PER UNIT, 2 UNITS PER MACHINE

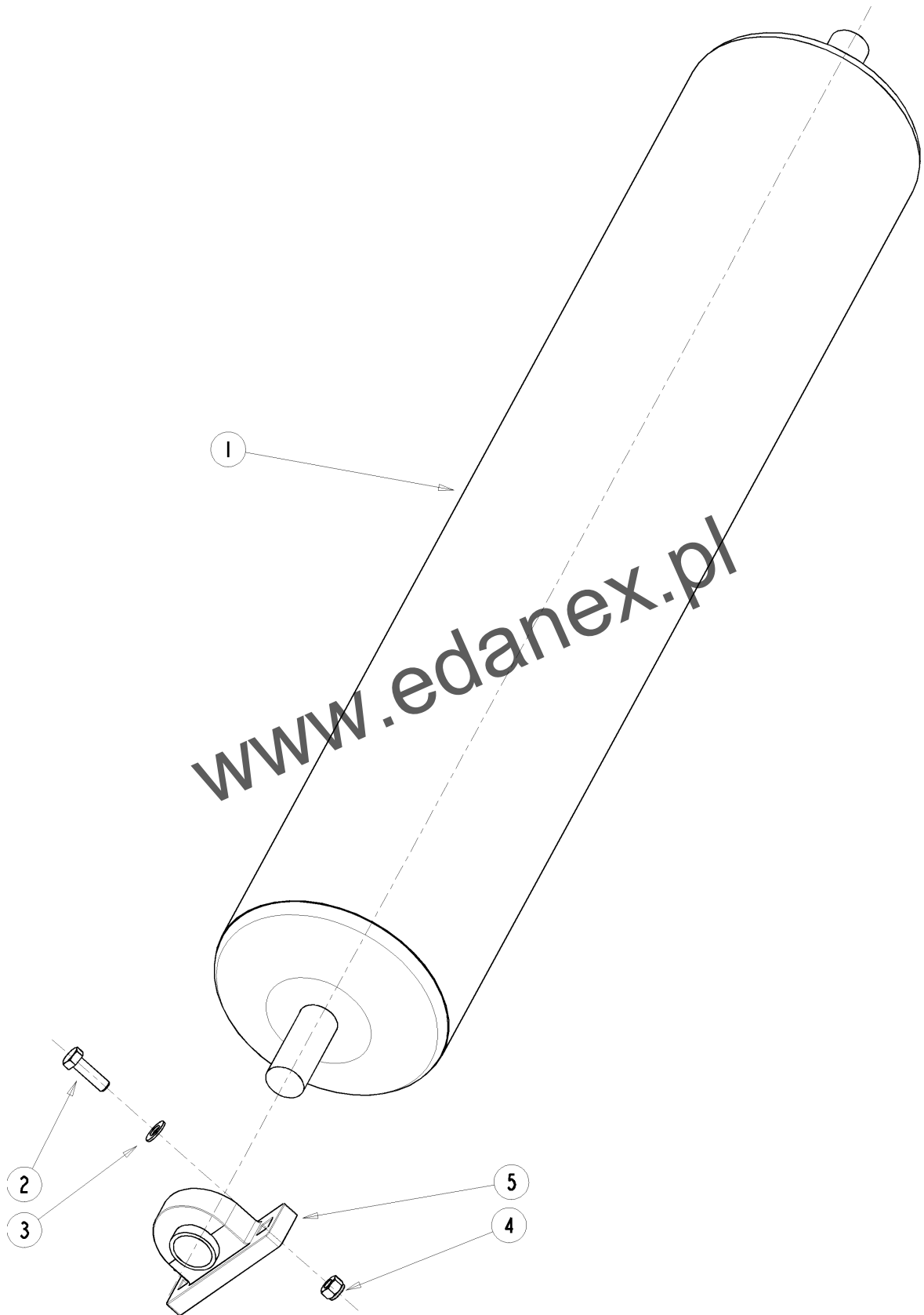
No.	PART NUMBER	DESCRIPTION	QUANTITY
	ACT00001	CUT & HOLD COMPLETE	
1	CFA00124	NUT, M12 NYLOC	9
2	CFA00139	WASHER, 12MM FLAT (H/D)	6
3	CZD02055	BACKPLATE	1
4	CMH00262	ECCENTRIC BEARING HOLDER	1
5	CMH00261	CONCENTRIC BEARING HOLDER	2
6	CBR00020	BEARING, 6204 2RS	3
7	CFA00270	SETSCREW, M12x50 Z/P	1
8	CFA00272	BOLT, M12x50 Z/P	2
9	CFA00269	SETSCREW M6x10 Z/P	2
10	CFA00268	WASHER, 6MM SHAKEPROOF	2
11	CZC02012	KNIFE CLAMP	1
12	CBE00002	BUFFER, RUBBER	1
13	CZD00118	WASHER, 10x40x4	2
14	CSG00004	SPRING, PLUNGER	1
15	CKN00011	KNIFE	2
16	CZF02121	KNIFE PLATE	1
17	CFA00144	WASHER, 6MM FLAT	4
18	CFA00098	SETSCREW, M6x25 Z/P	2
19	ACT00003	PLUNGER BRACKET	1
20	CFA00118	GREASE NIPPLE, M8 STRAIGHT	1
21	CFA00032	SETSCREW, M12x30 Z/P	4
22	CBR00016	BUSH, "OILITE"	1
23	CMH00023	PLUNGER, CHROME	1
24	CFA00137	WASHER, 10MM SPRING	1
25	CFA00024	SETSCREW, M10x25 Z/P	1
26	CFA00031	SETSCREW, M12x25 Z/P	4
27	CFA00131	NUT, M6 NYLOC	2
28	CZH02119	WASHER 12X40X10	2



CUT & HOLD SLIDER

QUANTITIES ARE PER UNIT. 2 UNITS PER MACHINE

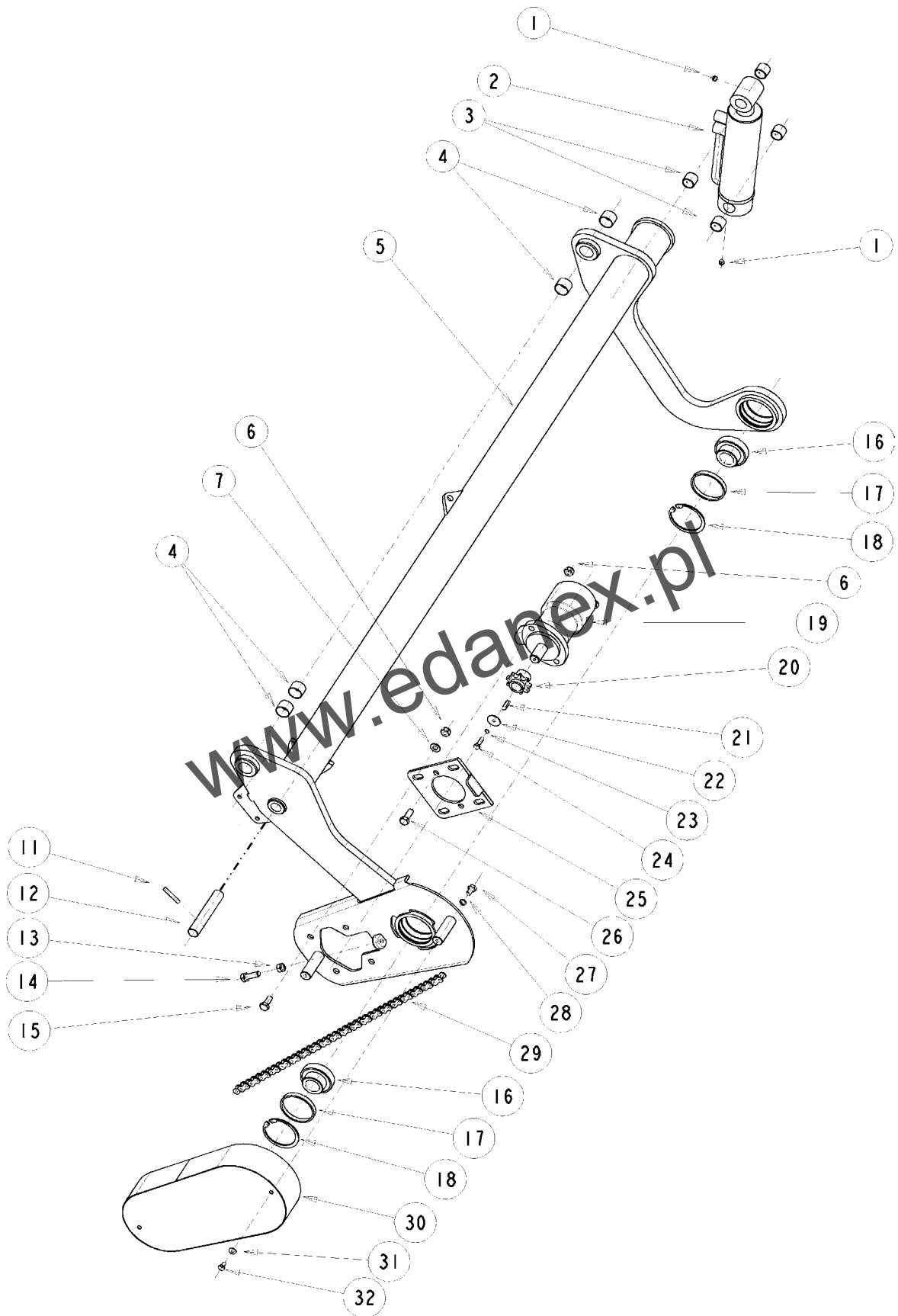
No.	PART NUMBER	DESCRIPTION	QUANTITY
1	ACT00002	SLIDER BARE (ALUM RAIL TYPE) (F90050)	1
	ACT00010	SLIDER (STEEL RAIL) (U90049)	1
2	CMH00260	RAIL (ALUMINIUM) (F90050)	1
3	CFA00089	SETSCREW, M8x45 CSK HEX Z/P (F90055)	5
	CFA00362	SETSCREW, M8x40 CSK HEX SS (U90054)	5
4	CFA00126	NUT, M14 NYLOC	2
5	CMH00330	WASHER, RAM, DISHED	4
6	CMH00331	WASHER, RAM, RUBBER	2
7	CFA00012	NUT, 1 1/4" UNF NYLOC	1
8	CRA00074	CUT & HOLD CYLINDER COMPLETE	1
	CSE00074	SEAL KIT, CUT & HOLD CYLINDER	1
	CRA00103	CYLINDER ROD (TOP)	1
	CRA00104	CYLINDER ROD (BOTTOM)	1
	CRA00105	CYLINDER GLAND (TOP)	1
	CRA00106	CYLINDER GLAND (BOTTOM)	1
	CRA00101	CYLINDER PISTON (TOP)	1
	CRA00102	CYLINDER PISTON (BOTTOM)	1
9	CFA00132	NUT, M8 NYLOC (F90055)	5
10	CFA00147	WASHER, 8MM FLAT (F90055)	5



UNLOADING ROLLER

No.	PART NUMBER	DESCRIPTION	QUANTITY
1	ART00003	UNLOADING ROLLER	1
2	CFA00306	SETSCREW, M14x45 Z/P	4
3	CFA00222	WASHER, 14MM FLAT	4
4	CFA00126	NUT, M14 NYLOC	4
5	CBR00005	BEARING, 1 3/4" PILLOW BLOCK	2

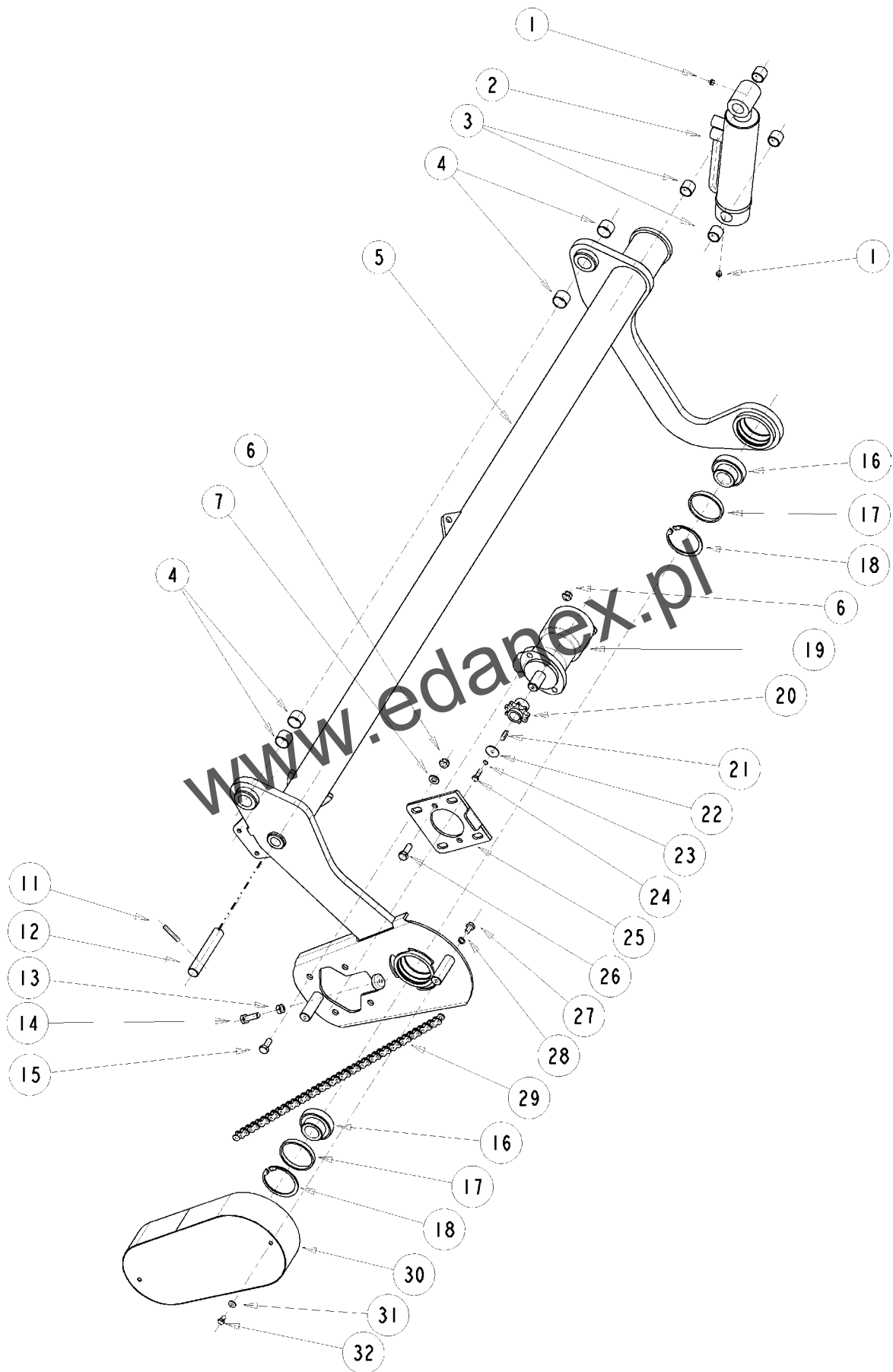
www.edanex.pl



CRADLE ARM

QUANTITIES ARE PER MACHINE

No.	PART NUMBER	DESCRIPTION	QUANTITY
1	CFA00111	GREASE NIPPLE, M10 STRAIGHT	8
2	CRA00087	LIFT CYLINDER COMPLETE (80mm BORE) SLAVE	2
	CSE00087	SEAL KIT (80mm BORE)	2
	CRA00094	CYLINDER ROD (80mm BORE)	2
	CRA00095	CYLINDER GLAND (80mm BORE)	2
	CRA00093	CYLINDER PISTON (80mm BORE)	2
	CRA00086	LIFT CYLINDER COMPLETE (90mm BORE) MASTER	2
	CSE00086	SEAL KIT (90mm BORE)	2
	CRA00097	CYLINDER ROD (90mm BORE)	2
	CRA00098	CYLINDER GLAND (90mm BORE)	2
	CRA00096	CYLINDER PISTON (90mm BORE)	2
3	CBR00039	BUSH, GLACIER 2525	16
4	CBR00007	BUSH, GLACIER 3025	8
5	ARC00006	CRADLE ARM, RIGHT	1
	ARC00007	CRADLE ARM, LEFT	1
6	CFA00124	NUT, M12 NYLOC	12
7	CFA00138	WASHER, 12mm FLAT	8
11	CFA00010	ROLL PIN, 8x50 Z/P	4
12	CMH0276	PIN, TOP RAM PIVOT	4
13	CFA00125	NUT, M12 PLAIN Z/P	2
14	CFA00324	SETSCREW, M12x40 Z/P	2
15	CFA00032	SETSCREW, M12x30 Z/P	8
16	CBR00031	BEARING, 35mm INSERT	4
17	CMH00245	BEARING RETAINER	4
18	CFA00232	CIRCLIP	4
19	CMT00007	ROLLER DRIVE MOTOR	2
20	CMH00285	SPROCKET, 3/4" PITCH 9 TOOTH	2
21	CFA00359	KEY, 8x7x30	2
22	CFA00149	WASHER, 8mm MUDWING	2
23	CFA00185	WASHER, 8mm SPRING	2
24	CFA00102	SETSCREW, M8x25 Z/P	2
25	CZF02003	MOTOR PLATE	2
26	CFA00033	SETSCREW M12x35 Z/P	4

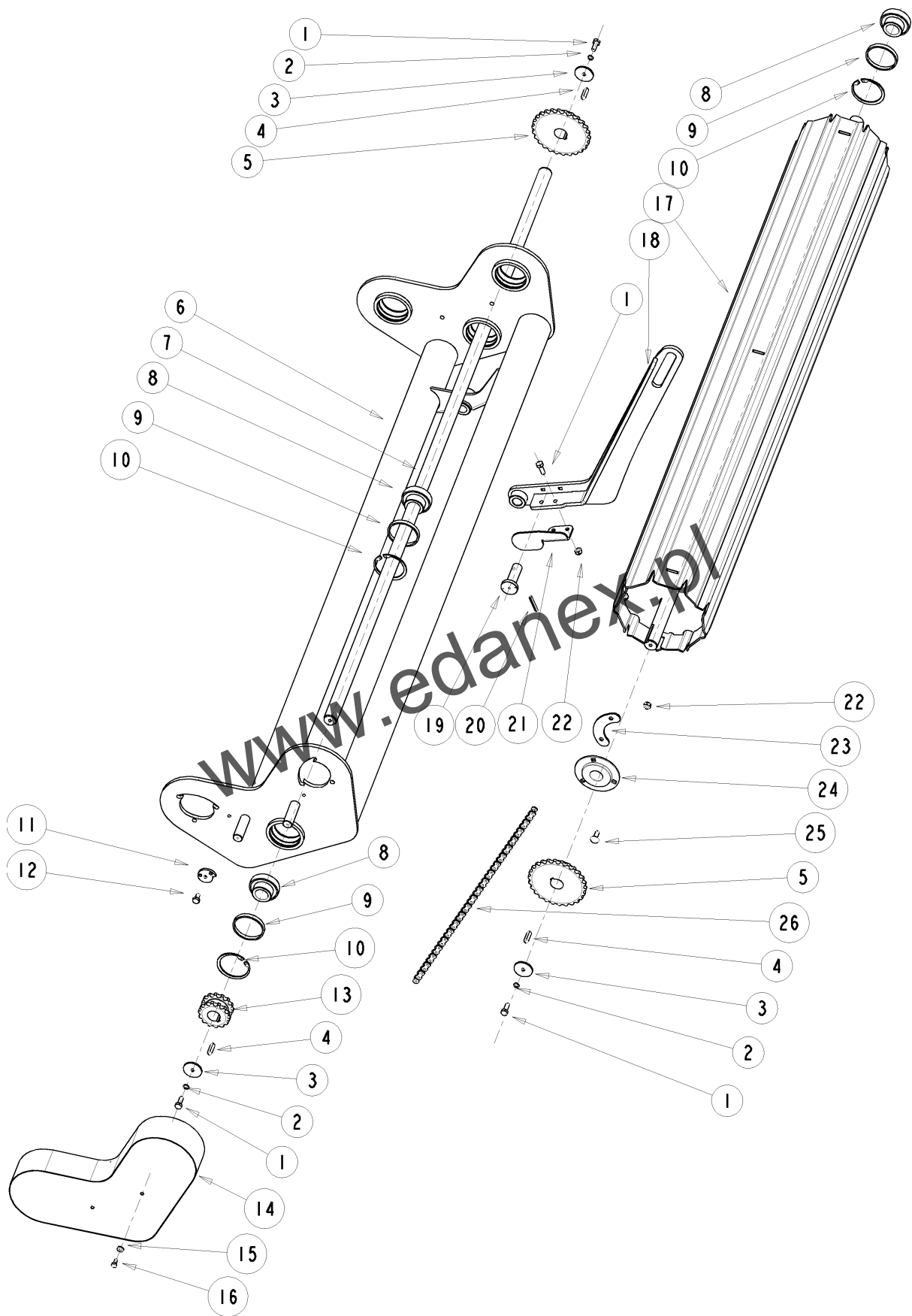


CRADLE ARM

QUANTITIES ARE PER MACHINE

No.	PART NUMBER	DESCRIPTION	QUANTITY
27	CFA00023	SETSCREW, M10x20 Z/P	2
28	CFA00137	WASHER, 10mm SPRING	2
29	CCH00007	CHAIN, 3/4" C/W JOINER LINK	2
	CCH02002	JOINER LINK	2
	CCH02003	OFFSET LINK	A/R
30	CGD00015	CHAIN GUARD	2
31	CFA00249	WASHER, 8mm SKM	4
32	CFA00101	SETSCREW, M8x16 Z/P	4

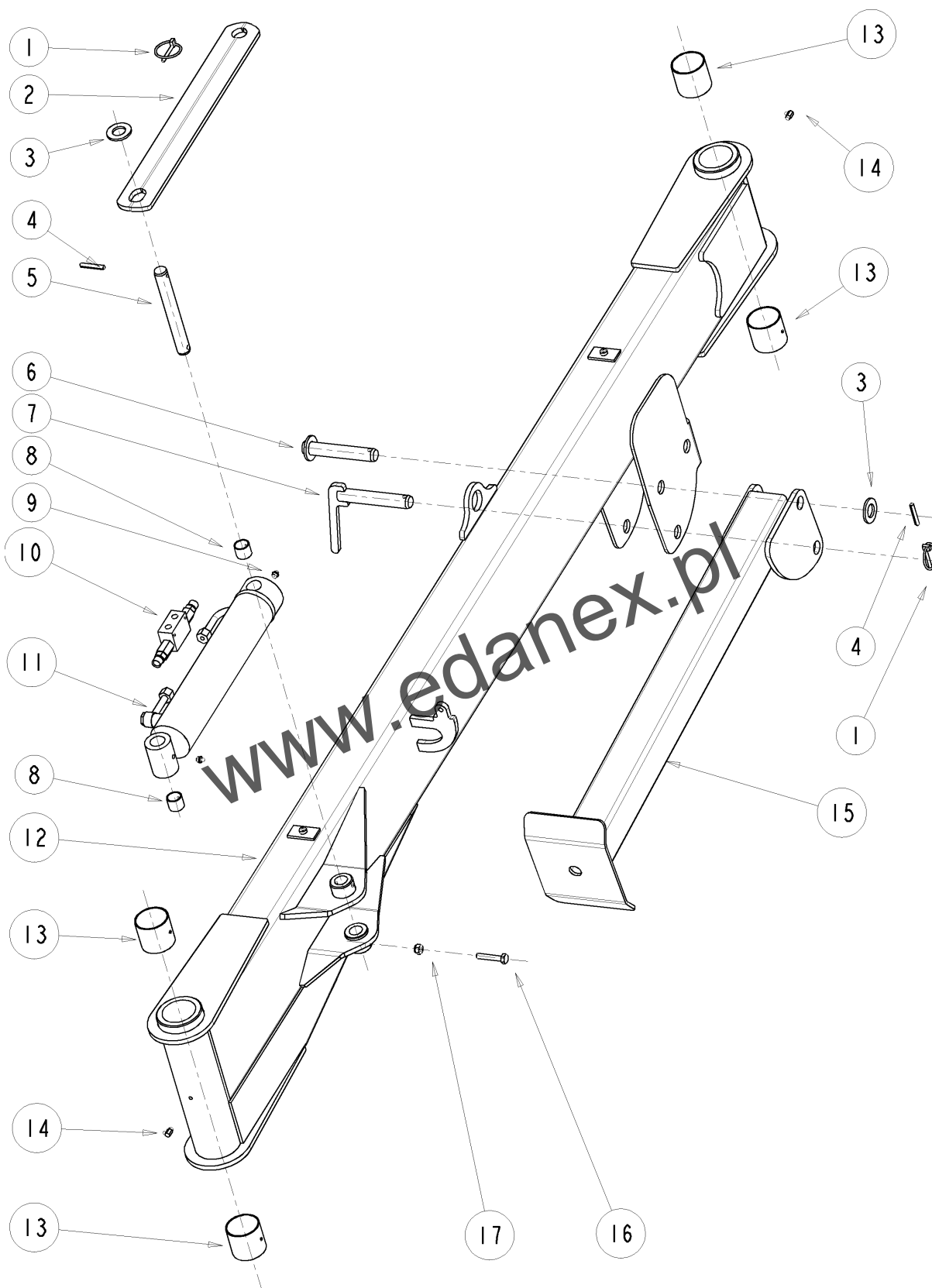
www.edanex.pl



ROLLER

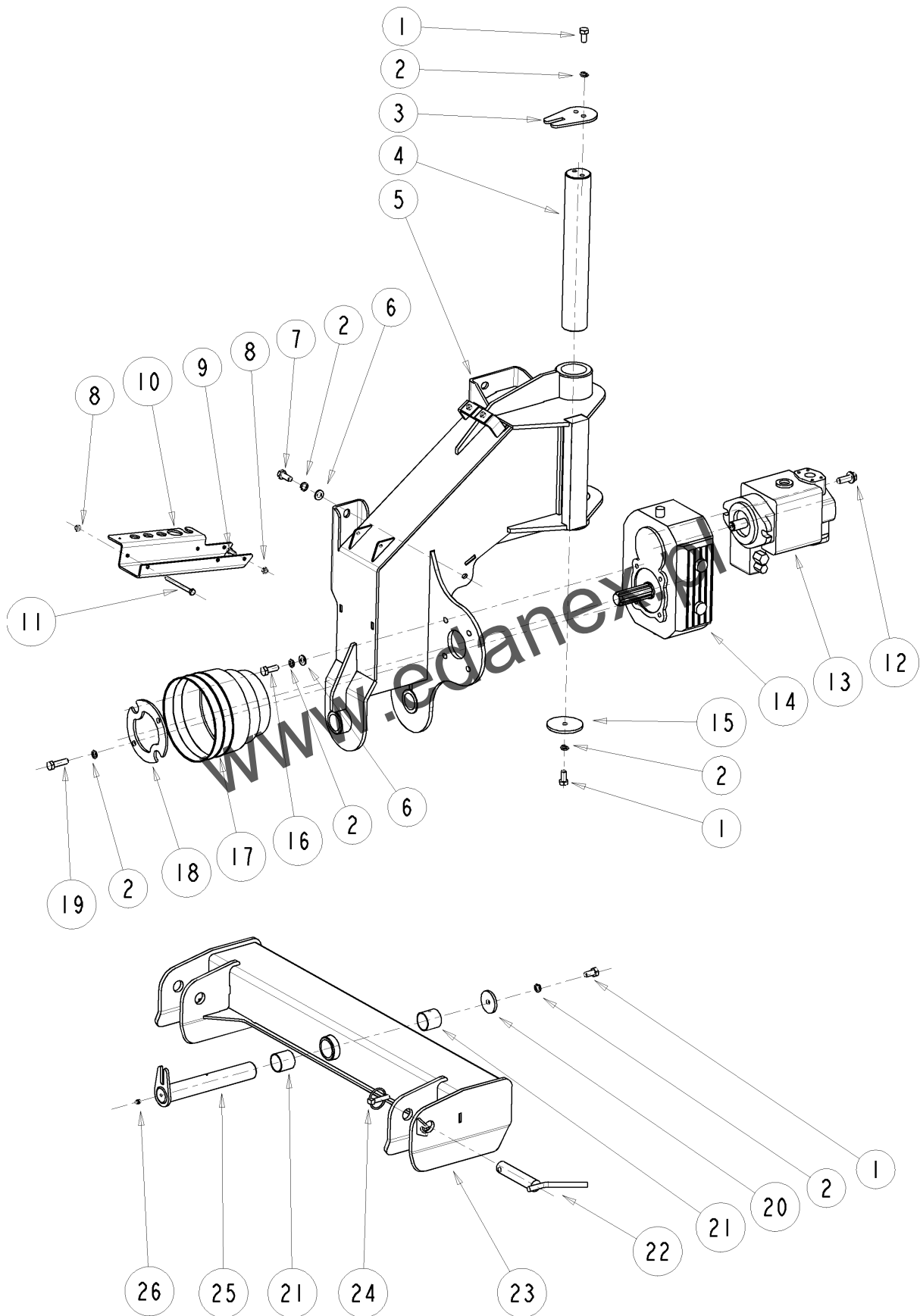
QUANTITIES ARE PER MACHINE

No.	PART NUMBER	DESCRIPTION	QUANTITY
1	CFA00230	SETSCREW, M10x30 Z/P	12
2	CFA00137	WASHER, 10mm SPRING	8
3	CZD00121	WASHER, 10x40x4	8
4	CFA00239	KEY, 10x8x40	8
5	CMH00225	SPROCKET, 3/4" PITCH 26 TOOTH (U250194)	6
5	CMH00437	SPROCKET, 3/4" PITCH 22 TOOTH (F250194)	6
6	ARC00001	ROLLER CRADLE, RIGHT	1
	ARC00002	ROLLER CRADLE, LEFT	1
7	CMH00243	CRADLE PIVOT SHAFT	2
8	CBR00031	35mm BEARING INSERT	8
9	CMH00245	RETAINER RING	8
10	CFA00232	CIRCLIP	8
11	CZF02004	ADJUSTMENT CAM (U250194)	4
11	ARC00047	ADJUSTMENT CAM (F250194)	4
12	CFA00023	SETSCREW, M10x20 Z/P	4
13	CMH00227	SPROCKET, 3/4" PITCH 15/15 T (U250194)	2
13	CMH00612	SPROCKET, 3/4" PITCH 13/13 T (F250194)	2
14	CGD00014	CHAIN GUARD (U250194)	2
14	CGD00030	CHAIN GUARD (F250194)	2
15	CFA00249	WASHER, 8MM SKM	4
16	CFA00052	SETSCREW, M8x20 Z/P	4
17	ARC00003	ROLLER (STEEL)	4
	CPL00023	ROLLER (PLASTIC)	4
18	ARC00004	SLOTTED LINK, RIGHT	1
	ARC00005	SLOTTED LINK, LEFT	1
19	CMH00230	SLOTTED LINK BOTTOM PIN	2
20	CFA00010	ROLL PIN, 8x50 Z/P	2
21	CZD02095	POTENTIOMETER GUARD, RIGHT	1
	CZD02101	POTENTIOMETER GUARD, LEFT	1
22	CFA00123	NUT, M10 NYLOC	14
23	CZD02001	SUPPORT PLATE	4
24	CBR00029	BEARING, 35MM 3 BOLT STEEL	4
25	CFA00017	SETSCREW, M10x30 CUPHEAD Z/P	12
26	CCH00008	CHAIN, 3/4" PITCH C/W JOINER LINK (U250194)	4
27	CCH02002	JOINER LINK 3/4" (U250194)	4
	CCH02003	OFFSET LINK 3/4" (U250194)	A/R
26	CCH02023	CHAIN 3/4" PITCH 41 LINK 60H (F250194)	4
27	CCH02021	CHAIN LINK CONN. 3/4" ANSI 60H (F250194)	4
	CCH02022	CHAIN LINK OFFSET 3/4" ANSI 60H (F250194)	A/R



DRAWBAR

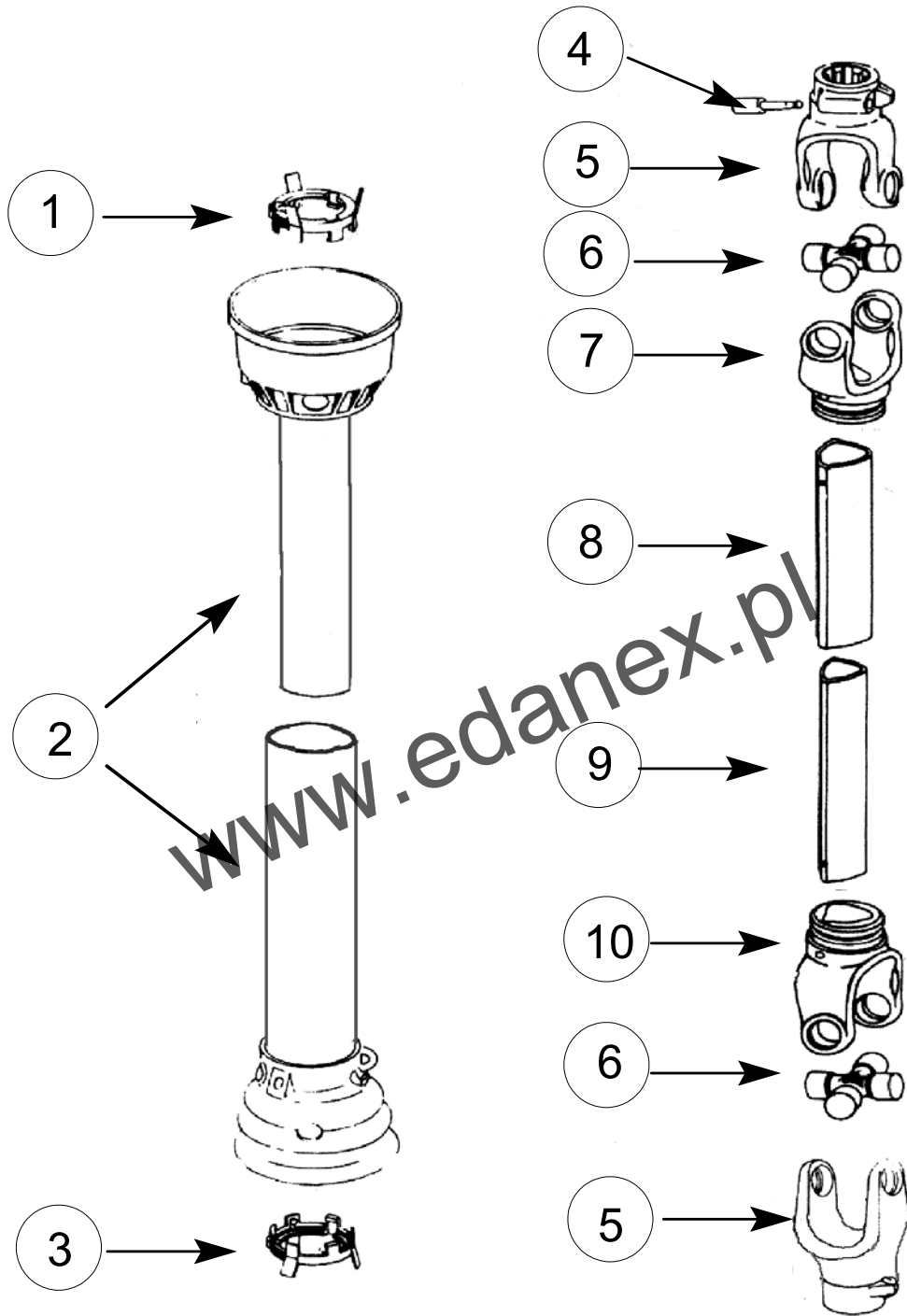
No.	PART NUMBER	DESCRIPTION	QUANTITY
1	CFA00202	LINCH PIN, SMALL	2
2	ADB00012	DRAWBAR SAFETY BAR	1
3	CFA00135	WASHER, 1" FLAT	2
4	CFA00010	ROLL PIN, 8x50 Z/P	2
5	CMH00071	PIN, RAM PIVOT	1
6	ADB00009	STAND PIVOT PIN	1
7	ADB00010	STAND LOCKING PIN	1
8	CBR00039	BUSH, GLACIER 2525	4
9	CFA00111	GREASE NIPPLE M10 STRAIGHT	2
10	CVA00040	DRAWBAR CYLINDER VALVE	1
11	CRA00079	DRAWBAR CYLINDER COMPLETE	1
	CSE00073	SEAL KIT	1
	CRA00099	CYLINDER ROD	1
	CRA00092	CYLINDER GLAND	1
	CRA00090	CYLINDER PISTON	1
12	ADB00007	DRAWBAR BEAM	1
13	CBR00019	BUSH, GLACIER 6060	4
14	CFA00062	GREASE NIPPLE M8 90	2
15	ADB00008	STAND	1
16	CFA00027	BOLT, M10X60 Z/P	1
17	CFA00123	NUT, M10 NYLOC	1



HEADSTOCK

No.	PART NUMBER	DESCRIPTION	QUANTITY
1	CFA00031	SETSCREW, M12x25 Z/P	4
2	CFA00207	WASHER, 12MM SPRING	10
3	CZF02104	PIVOT PIN TOP CAP	1
4	CMH00067	PIVOT PIN (SHORT)	1
5	ADB00004	HEADSTOCK BARE	1
6	CFA00138	WASHER, 12MM FLAT	4
7	CFA00032	SETSCREW, M12x30 Z/P	2
8	CFA00132	NUT, M8 NYLOC	4
9	CFA00052	SETSCREW, M8x20 Z/P	2
10	CZD02050	HOSE HOLDER	1
11	CFA00226	BOLT, M8x100 Z/P	2
12	CFA00275	SETSCREW, M14x35 FLANGED Z/P	2
13	CMT00011	HYDRAULIC PUMP	1
14	CMT00012	GEARBOX	1
15	CZF02105	WASHER 12x85x6	1
16	CFA00033	SETSCREW, M12x35 Z/P	2
17	CMT00009	PTO COVER	1
18	CZF02062	PTO COVER RING	1
19	CFA00065	SETSCREW, M12x45 Z/P	2
20	CZF02106	WASHER 12x55x6	1
21	CBR00018	BUSH, GLACIER 4040	2
22	CMH00025	CAT. 2 LOWER LINK PIN	2
23	ADB00005	HITCH BAR	1
24	CFA00005	LINCH PIN, LARGE	2
25	ADB00006	HORIZONTAL PIVOT PIN	1
26	CFA00118	GREASE NIPPLE, M8 STRAIGHT	1

REAR (998)



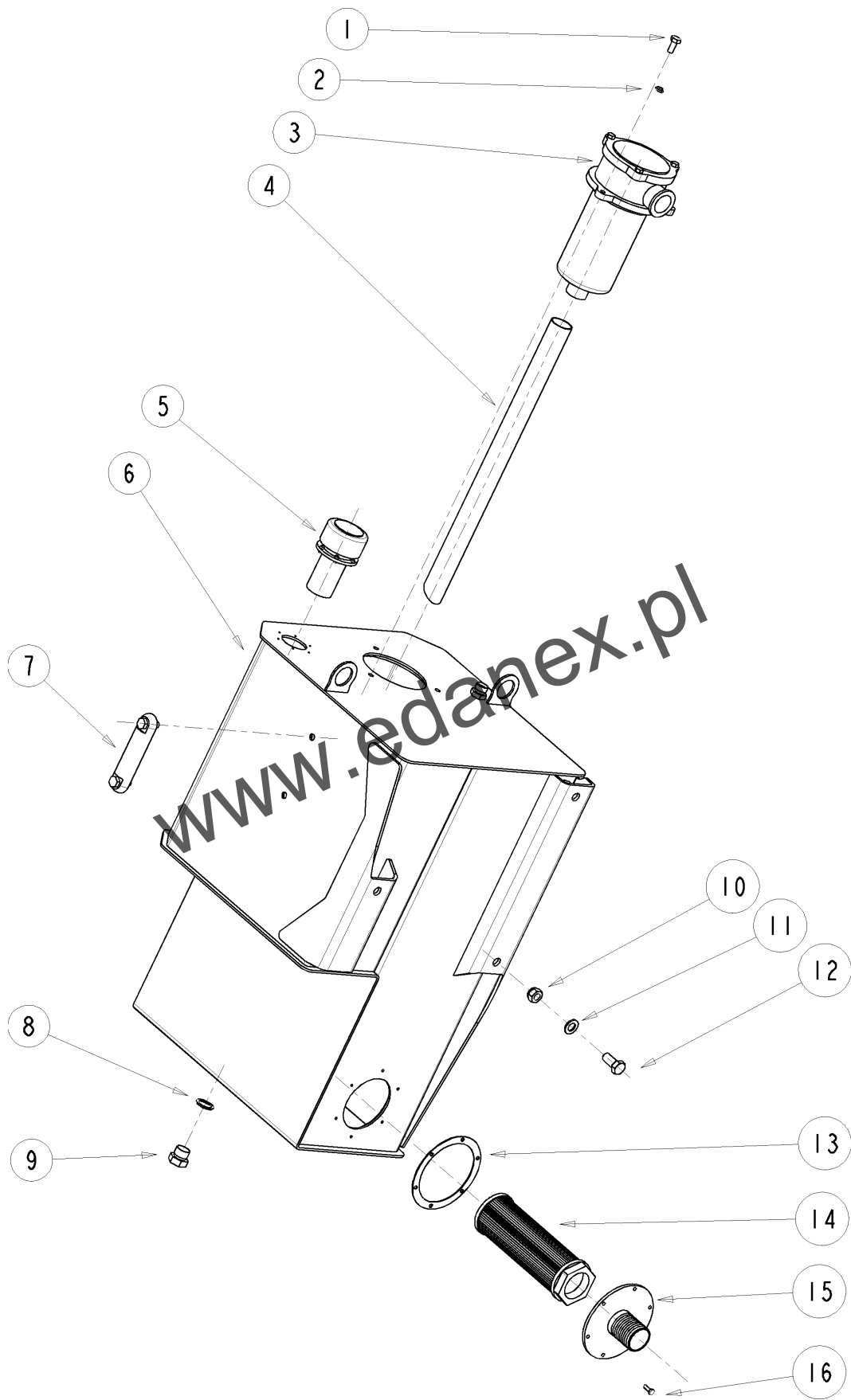
FRONT (TRACTOR)

PTO SHAFT

AGDRIVE

No.	PART NUMBER	DESCRIPTION	QUANTITY
	CMT00008	PTO SHAFT COMPLETE	1
1	CMT00020	PLASTIC BEARING RING, LARGE INSIDE	1
2	CMT00019	COVER COMPLETE	1
3	CMT00021	PLASTIC BEARING RING, SMALL INSIDE	1
4	CMT00024	QUICK RELEASE BUTTON KIT	2
5	CMT00025	OUTER YOKE (6 SPLINE)	2
	CMT00026	OUTER YOKE (21 SPLINE) OPTION	1
6	CMT00027	UNIVERSAL JOINT	2
7	CMT00028	INNER YOKE, LARGE PROFILE TUBE	1
8	CMT00029	LARGE PROFILE TUBE	1
9	CMT00030	SMALL PROFILE TUBE	1
10	CMT00031	INNER YOKE, SMALL PROFILE TUBE	1

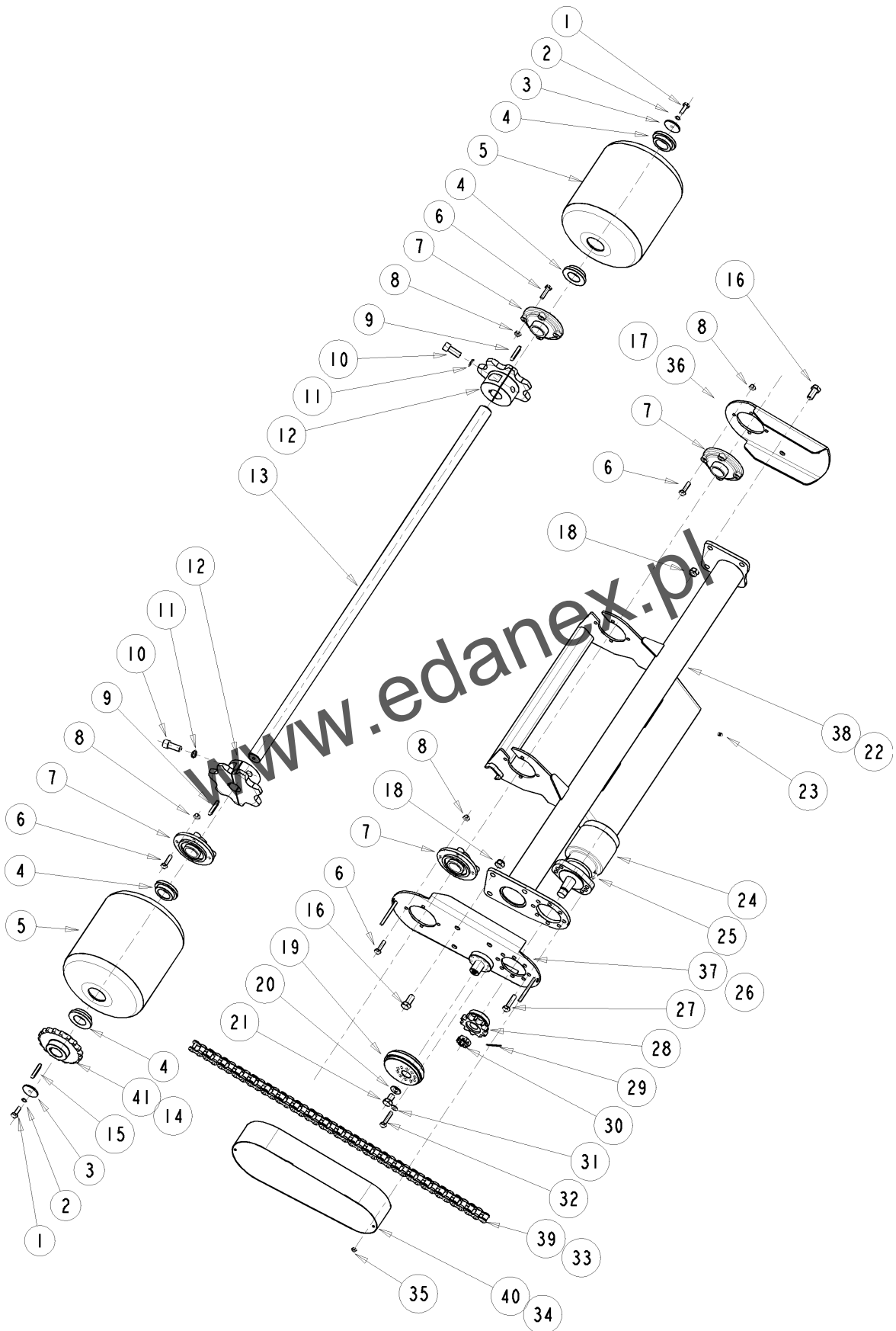
www.edanex.pl



HYDRAULIC TANK

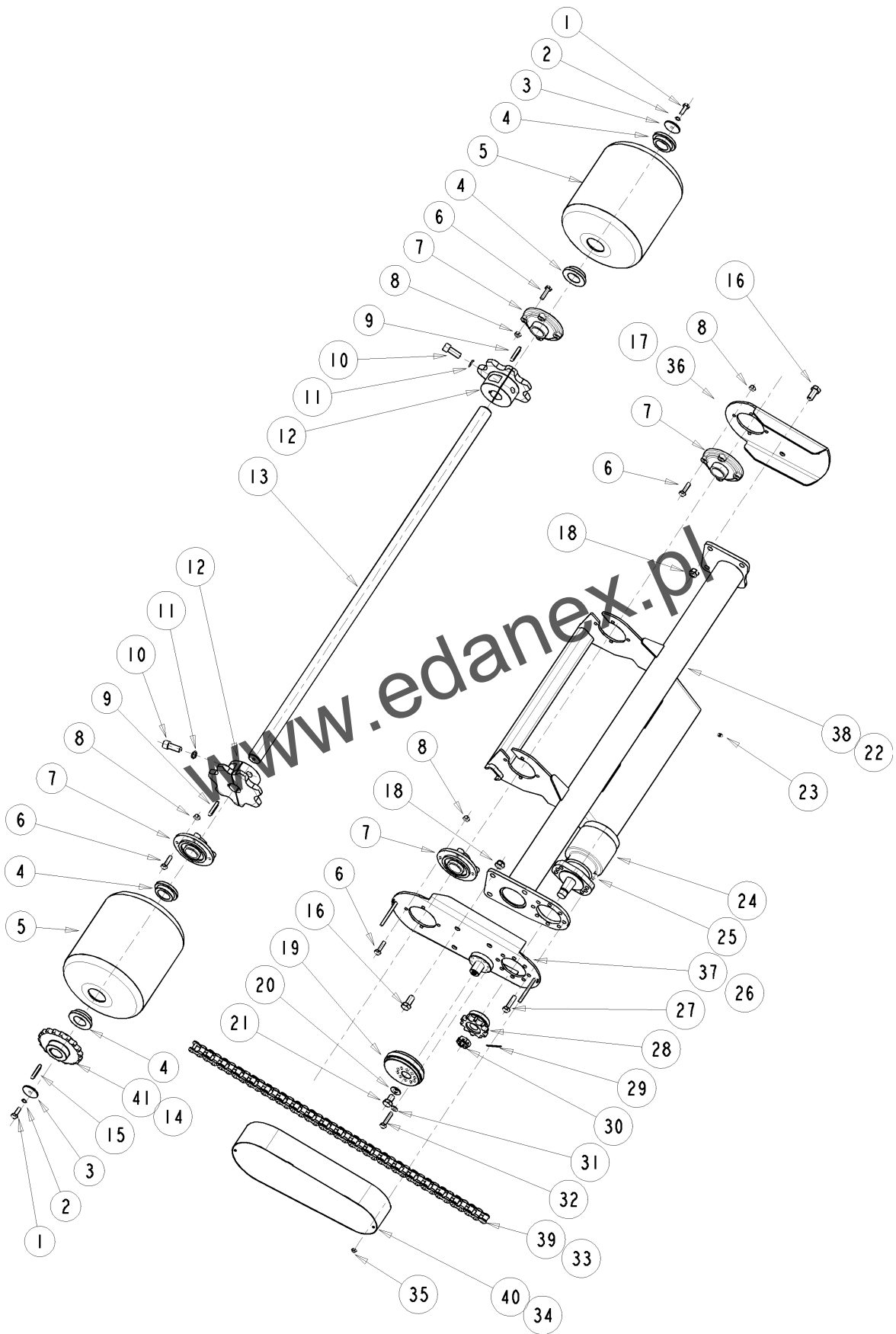
No.	PART NUMBER	DESCRIPTION	QUANTITY
1	CFA00024	SETSCREW, M10x25 Z/P	3
2	CFA00137	WASHER, 10MM SPRING	3
3	CHY00029	RETURN FILTER COMPLETE	1
	CHY00030	RETURN FILTER ELEMENT	1
	CHY00045	RETURN FILTER CARTRIDGE ('98)	1
4	CPL00029	INTERNAL RETURN PIPE	1
5	CHY00028	FILLER CAP	1
6	ADB00002	HYDRAULIC TANK BARE	1
7	CHY00027	OIL LEVEL GAUGE	1
8	CHY02012	WASHER, 3/4" "DOWTY"	1
9	CHY02011	DRAIN BUNG	1
10	CFA00128	NUT, M16 NYLOC	3
11	CFA00140	WASHER, 16MM FLAT	3
12	CFA00229	SETSCREW, M16x35 Z/P	3
13	CSE00006	OUTLET PLATE GASKET	1
14	CHY00031	SUCTION STRAINER	1
15	ADB00003	OUTLET PLATE, FLAT	1
	ADB00015	OUTLET PLATE, STEPPED	1
16	CFA00267	SETSCREW, M6x25 Z/P	6
#	CHY00058	SUCTION PIPE 50mm	1
#	CHY00059	PIPE CLIP	2
#	CMH00328	PUMP SUCTION FLANGE	1
#	CHY00061	O RING	1
#	CHY00060	FLANGE CLAMP	1
#	CFA00207	WASHER, 12mm SPRING	4
#	CFA00033	SETSCREW, M12x35 Z/P	4

= SUCTION PIPE ASSEMBLY FOR PUMP



MAIN CONVEYOR REAR DRIVE

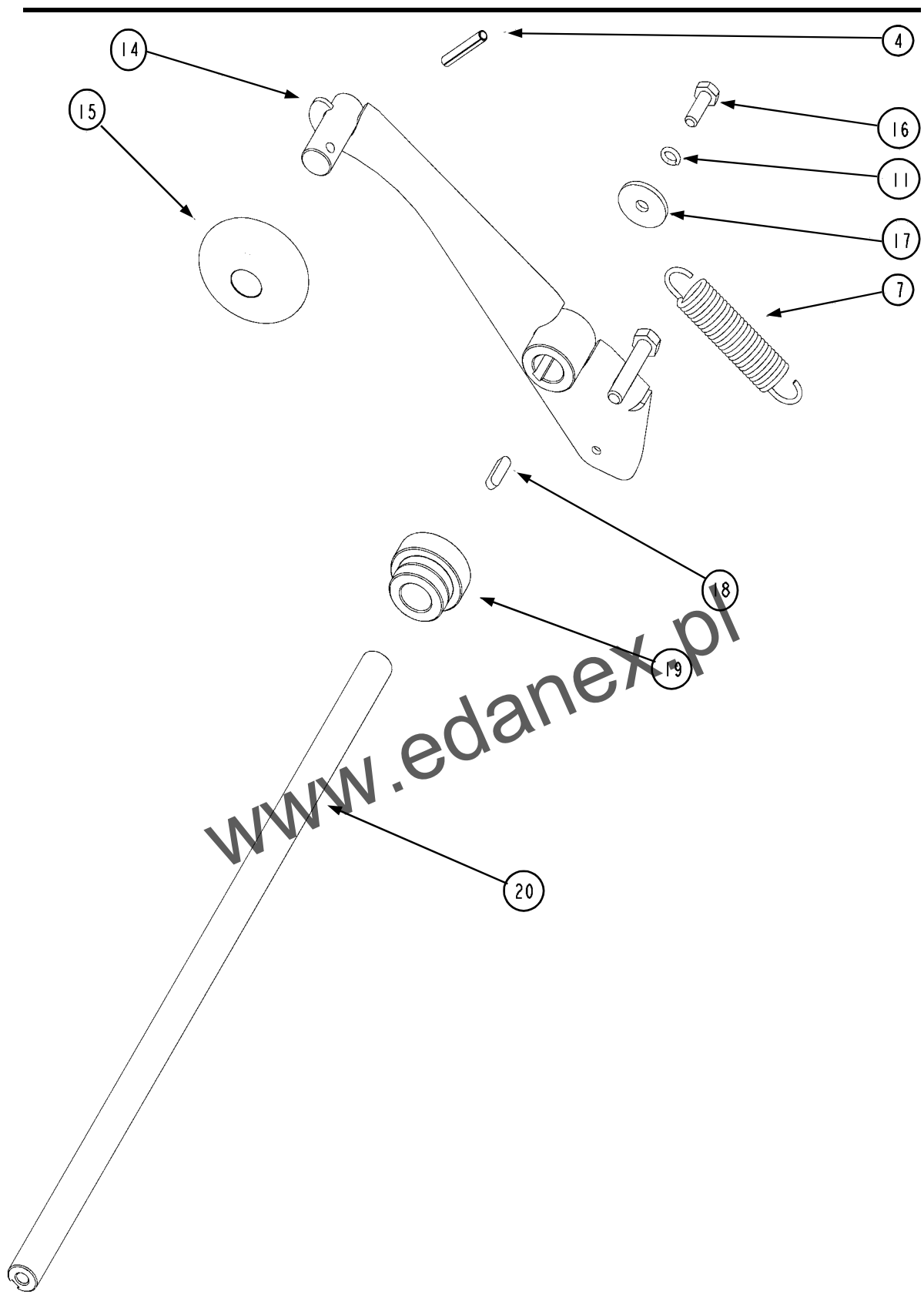
No.	PART NUMBER	DESCRIPTION	QUANTITY
1	CFA00230	SETSCREW, M10x30 Z/P	2
2	CFA00137	WASHER, 10mm SPRING	2
3	CZD00121	WASHER, 10x50x4	2
4	CMH00320	ROLLER BUSH (PLASTIC)	4
5	ACN00001	ROLLER	2
6	CFA00312	SETSCREW, M10x40 Z/P	16
7	CBR00033	BEARING, 40MM 4 BOLT STEP FLANGE	4
8	CFA00123	NUT, M10 NYLOC	16
9	CFA00358	KEY, 10x8x70	2
10	CFA00247	SETSCREW, M16x40 SOCKET CAP	4
11	CFA00142	WASHER, 16mm SPRING	4
12	CMH00231	SPROCKET, 75mm PITCH 7 TOOTH	2
13	CMH00311	MAIN CONVEYOR REAR SHAFT	1
14	CMH00226	SPROCKET, 1" PITCH 20 TOOTH (U90055)	NLS (41)
15	CFA00263	KEY, 10x8x55	1
16	CFA00229	SETSCREW M16x35 Z/P	6
17	CZF02052	SIDEPLATE, RIGHT (U90055)	1
18	CFA00128	NUT, M16 NYLOC	6
19	CMH00317	CHAIN ADJUSTER (PLASTIC)	1
20	CFA00252	WASHER, 16mm SKM	1
21	CFA00325	SETSCREW, M16x25 Z/P	1
22	ACN00002	FRAME (U90055)	1
23	CFA00118	GREASE NIPPLE, M8 STRAIGHT	2
24	CMT00006	CONVEYOR DRIVE MOTOR	1
25	CFA00124	NUT, M12 NYLOC	4
26	ACN00003	SIDEPLATE, LEFT (U90055)	1
27	CFA00356	BOLT, M12x50 Z/P	4
28	CMH00177	SPROCKET, 1" PITCH 10 TOOTH	1
29	CFA00360	SPLITPIN	1
30	CFA00361	MOTOR NUT	1
31	CFA00251	WASHER, 10mm SKM	1
32	CFA00310	BOLT, M10x50 Z/P	1
33	CCH00009	CHAIN, 1" C/W JOINER LINK 39 LINK (F249995)	1
	CCH00001	JOINER LINK	A/R
	CCH00004	OFFSET LINK	A/R
34	CGD00013	CHAIN GUARD (U90055)	1
35	CFA00132	NUT, M8 NYLOC	2
36	CZF02219	SIDEPLATE, RIGHT (F249995)	1
37	ACN00013	SIDEPLATE,LEFT (F249995)	1



MAIN CONVEYOR REAR DRIVE

No.	PART NUMBER	DESCRIPTION	QUANTITY
38	ACN00014	FRAME (F249995)	1
39	CCH00025	CHAIN, 1" C/W JOINER LINK 41 LINK (U90055)	1
40	CGD00016	CHAIN GUARD (F249995)	1
41	CMH00089	SPROCKET, 1" PITCH 18 TOOTH (F249995)	1

www.edanex.pl

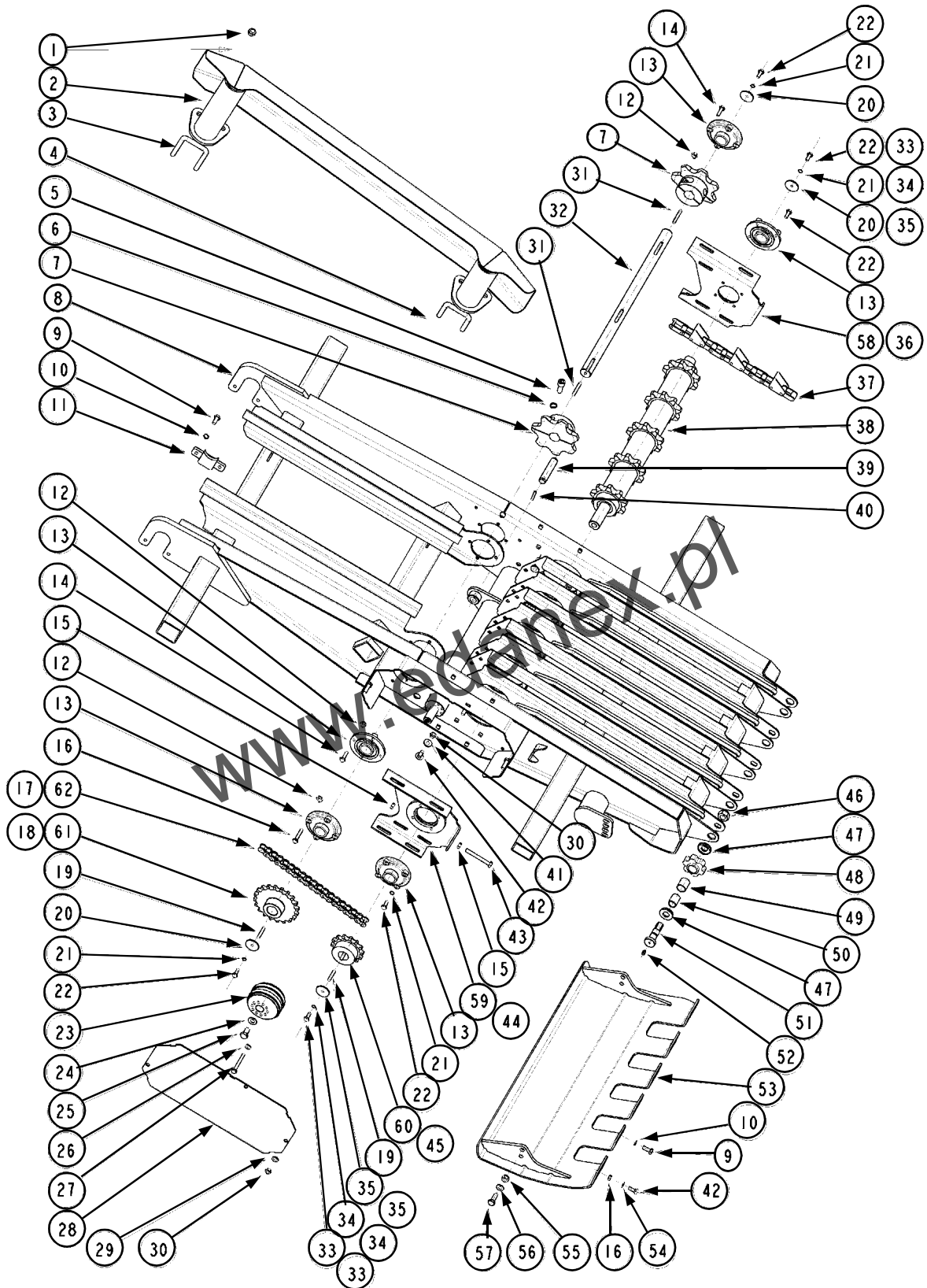


BALE POSITION SENSOR ARMS

QUANTITIES ARE PER MACHINE

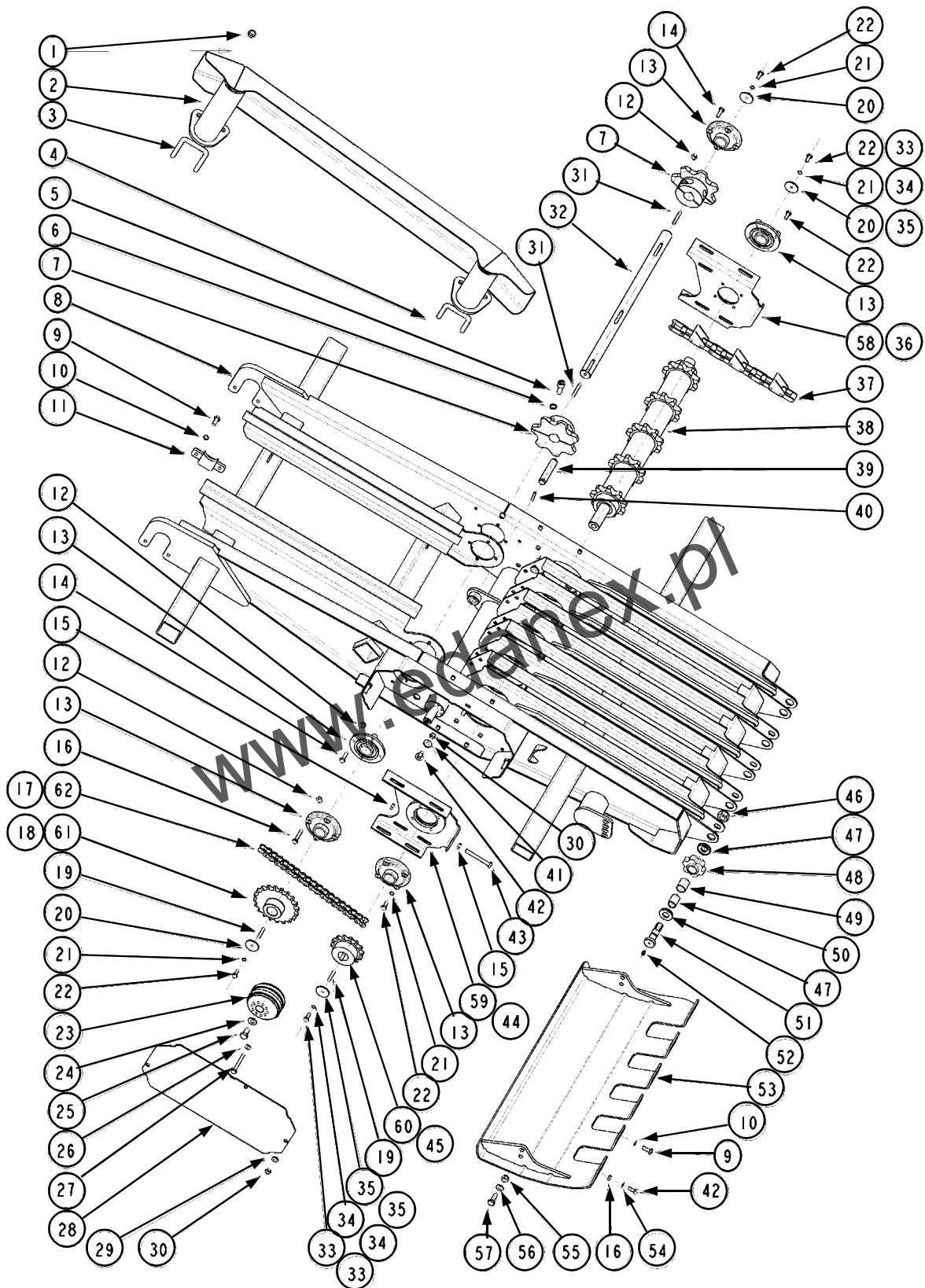
No.	PART NUMBER	DESCRIPTION	QUANTITY
4	CFA00010	ROLL PIN, 8x50 Z/P	2
7	CSG00011	TENSION SPRING	2
11	CFA00137	WASHER, 10MM SPRING	4
14	ACH00054	SENSOR ARM, RIGHT (F249995)	1
	ACH00055	SENSOR ARM, LEFT (F249995)	1
15	CMH00105	ROLLER (F249995)	2
16	CFA00230	SETSCREW, M10x30 Z/P (F249995)	2
17	CZD00121	WASHER, 10x40x4 (F249995)	2
18	CFA00359	KEY, 8x7x30 (F249995)	2
19	CMH00106	PLASTIC BUSH (F249995)	2
20	CMH00073	BALE SENSOR ARM SHAFT (F249995)	1

www.edanex.pl



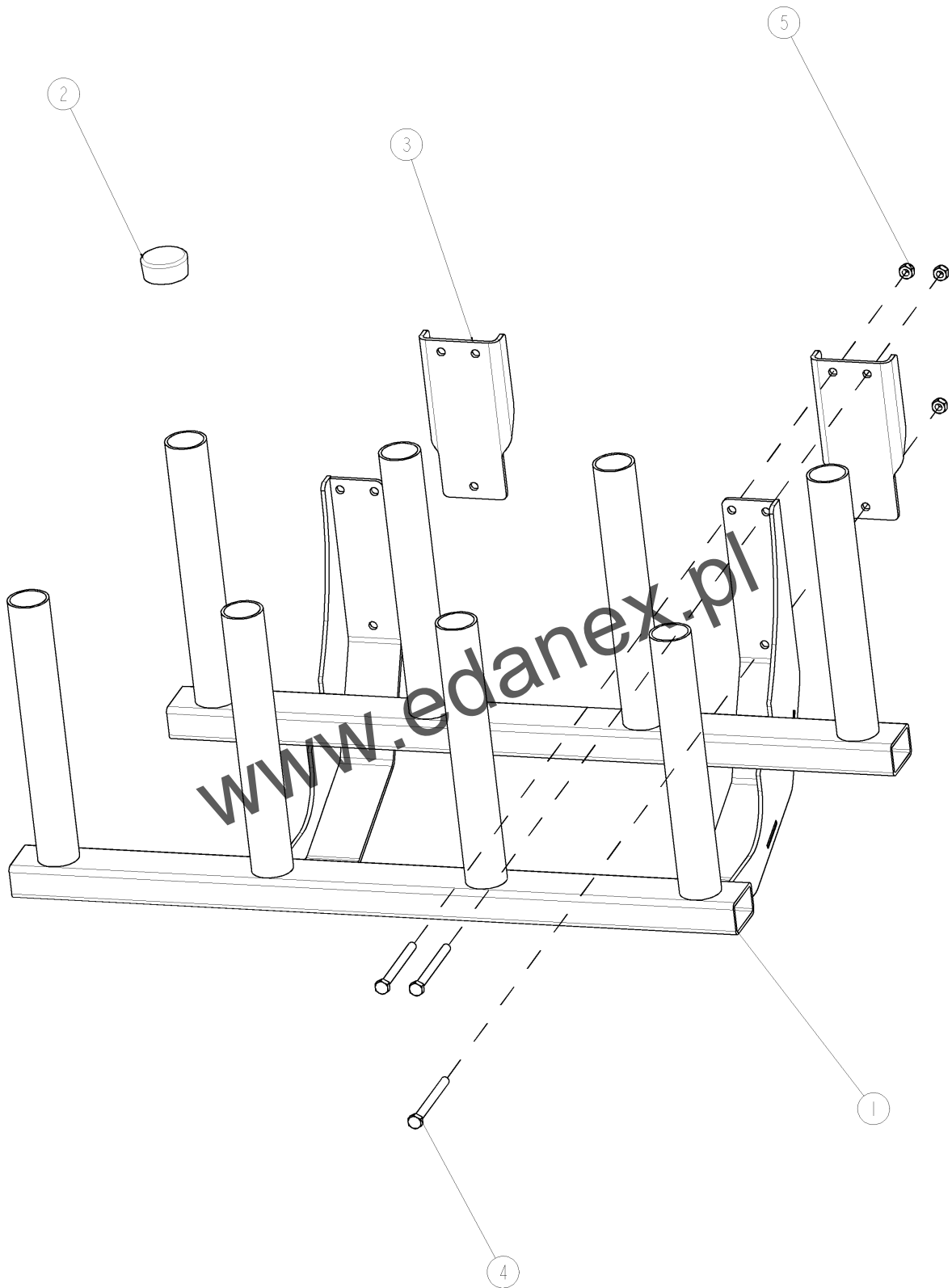
FRONT CONVEYOR

No.	PART NUMBER	DESCRIPTION	QUANTITY
1	CFA00128	NUT, M16 NYLOC	8
2	ACN00004	BALE GUIDE, RIGHT	1
	ACN00005	BALE GUIDE, LEFT	1
3	CFA00039	"U" BOLT, 80x80	2
4	CFA00200	"U" BOLT, 80x50	2
5	CFA00151	SETSCREW, M16x40 Z/P	4
6	CFA00142	WASHER, 16mm SPRING	4
7	CMH00231	SPROCKET, 75mm PITCH 7 TOOTH	2
8	ACN00006	CONVEYOR, BARE	1
	ACN00007	CONVEYOR, COMPLETE	1
9	CFA00032	SETSCREW, M12x30 Z/P	9
10	CFA00207	WASHER, 12mm SPRING	9
11	ACN00008	LATCH CLOSER	2
12	CFA00123	NUT, M10 NYLOC	16
13	CBR00033	BEARING, 40mm 4 BOLT STEP FLANGE	5
14	CFA00312	SETSCREW, M10x40 Z/P	8
15	CFA00125	NUT, M12 PLAIN Z/P	2
16	CFA00027	BOLT, M10x60 Z/P	4
17	CCH00013	CHAIN, 1" DUPLEX & JOINER LINK (U90055)	1
	CCH02006	1" DUPLEX JOINER LINK (U90055)	A/R
	CCH02007	1" DUPLEX OFFSET LINK (U90055)	A/R
18	CMH00309	SPROCKET, 1" DUPLEX 20 TOOTH	NLS (61)
19	CFA00263	KEY, 10x8x55	2
20	CZD00121	WASHER, 10x50x4	4
21	CFA00137	WASHER, 10mm SPRING	12
22	CFA00230	SETSCREW, M10x30 Z/P	12
23	CMH00314	CHAIN ADJUSTER DUPLEX (PLASTIC)	1
24	CFA00252	WASHER, 16mm SKM	1
25	CFA00325	SETSCREW M16x25 Z/P	1
26	CFA00251	WASHER, 10mm SKM	1
27	CFA00284	BOLT, M10x90 Z/P	1
28	CZD02091	CHAIN GUARD	1
29	CFA00138	WASHER, 12mm FLAT	3
30	CFA00124	NUT, M12 NYLOC	17
31	CFA00358	KEY, 10x8x70	2
32	CMH00313	MAIN CONVEYOR FRONT SHAFT	1
33	CFA00246	SETSCREW, M20x40 FINE (U249998)	2
34	CFA00329	WASHER, 20mm SPRING (U249998)	2
35	CZF02169	WASHER, 20x50x6 (U249998)	2
36	ACN00009	SIDEPLATE, LEFT (U249998)	1



FRONT CONVEYOR

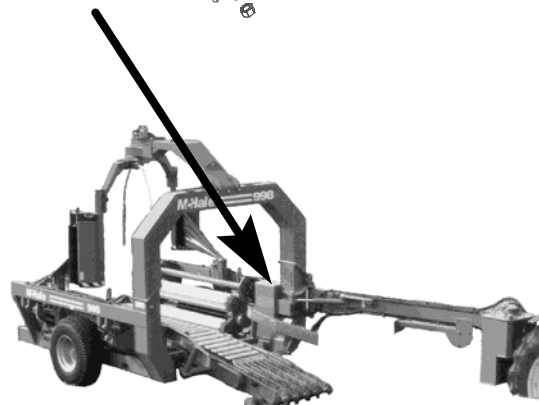
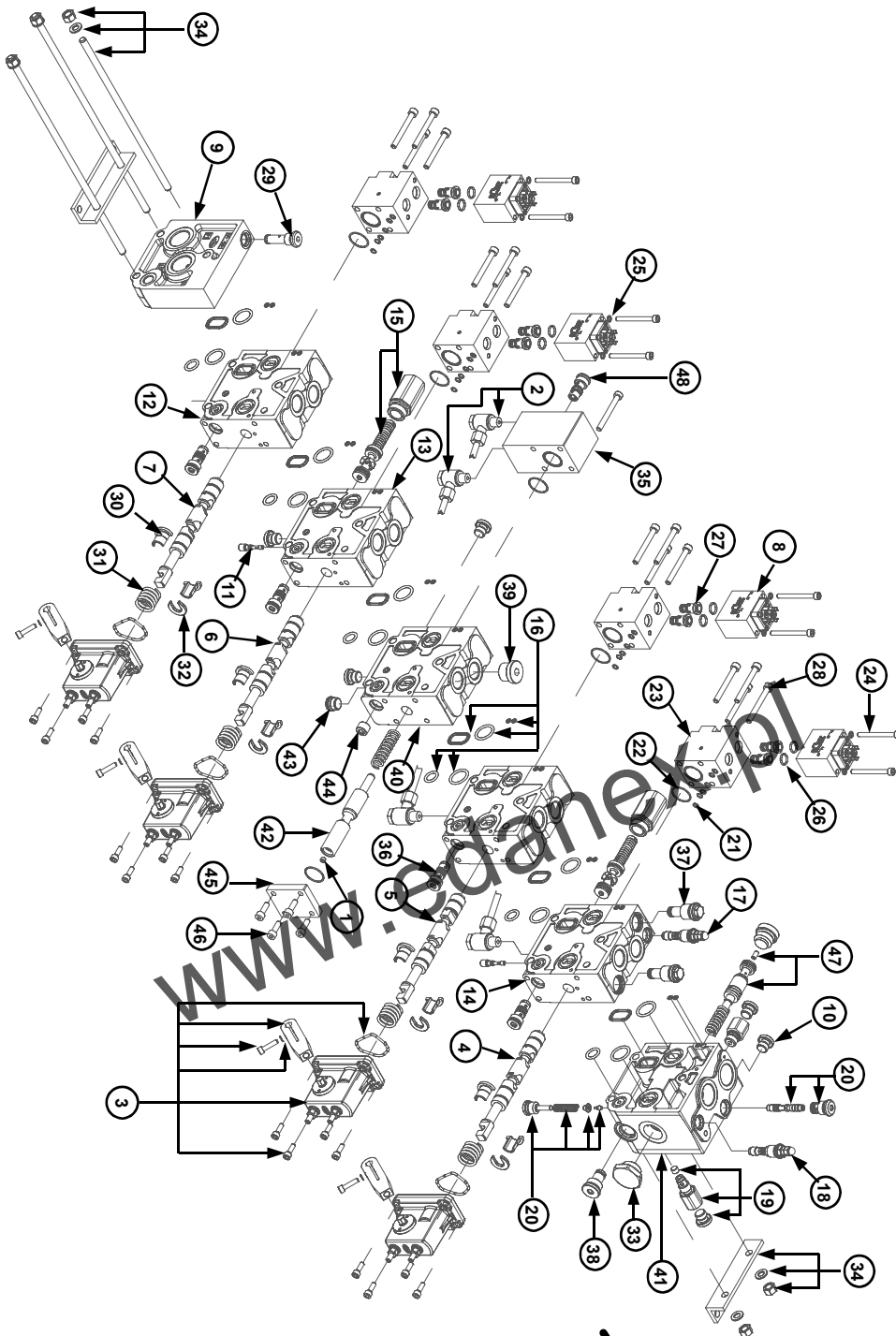
No.	PART NUMBER	DESCRIPTION	QUANTITY
37	CCH00012	PICK UP CHAIN C/W JOINER LINK	5
	CCH02005	JOINER LINK (RIVETED)	A/R
	CCH00017	JOINER LINK (COTTER)	A/R
	CCH02014	JOINER LINK (CLEAT)	A/R
	CCH02013	INNER LINK	A/R
38	ACN00011	FRONT CONVEYOR REAR SHAFT	1
39	CMH00069	FRONT LIFT CYLINDER PIN	2
40	CFA00010	ROLL PIN, 8x50 Z/P	2
41	CFA00139	WASHER, 12mm FLAT HEAVY DUTY	14
42	CFA00078	SETSCREW, M12x30 CUPHEAD Z/P	18
43	CFA00080	SETSCREW, M12x100 Z/P	2
44	ACN00010	SIDEPLATE, RIGHT (U249998)	1
45	CMH00308	SPROCKET, 1" DUPLEX 14 TOOTH	NLS (60)
46	CFA00129	NUT, M20 NYLOC	5
47	CMH00316	WASHER, CUP	10
48	CMH00234	SPROCKET, 42mm PITCH 6 TOOTH	5
49	CBR00032	BUSH, GLACIER 3040	5
50	CMH00315	BUSH, STEEL HARDENED	5
51	CMH00248	PIN, FRONT SPROCKET PIVOT	5
52	CFA00062	GREASE NIPPLE, M8 90 DEGREE	5
53	ACN00012	SKID	1
54	CFA00201	WASHER, 10mm FLAT	4
55	CFA00126	NUT, M14 NYLOC	2
56	CFA00222	WASHER, 14mm FLAT	2
57	CFA00221	SETSCREW, M14x40 Z/P	2
58	ACN00015	SIDEPLATE, LEFT (F249999)	1
59	ACN00016	SIDEPLATE, RIGHT (F249999)	1
60	CMH00101	SPROCKET, 1" 14 TOOTH (F249999)	1
61	CMH00102	SPROCKET, 1" 20 TOOTH (F249999)	1
62	CCH00024	CHAIN, 1" 41 LINK, OFFSET & JOIN (F249999)	1
	CCH02001	1" JOINER LINK	A/R
	CCH02004	1" OFFSET LINK	A/R



SPARE FILM HOLDER

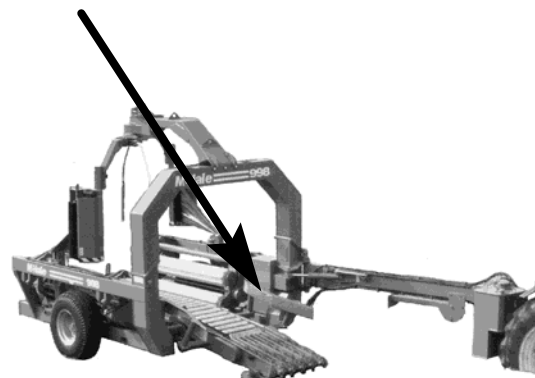
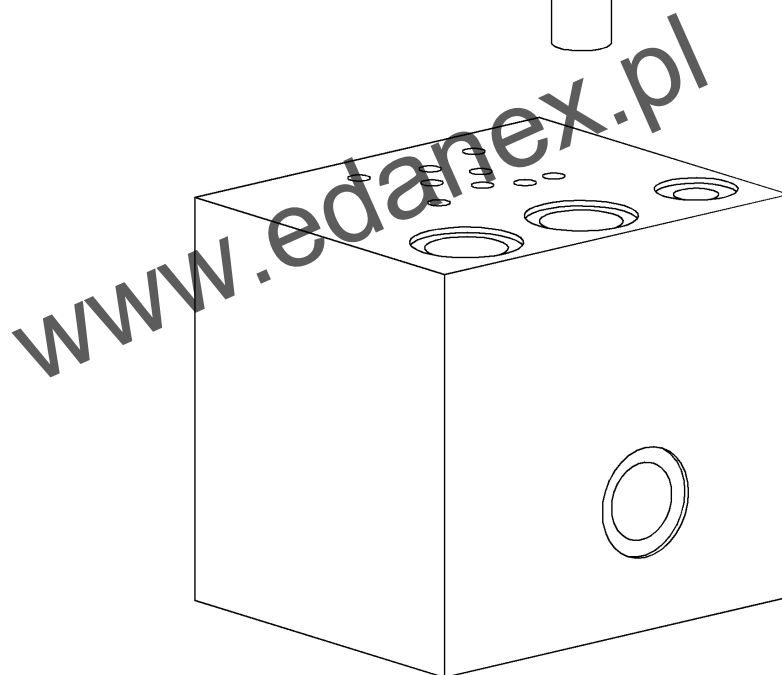
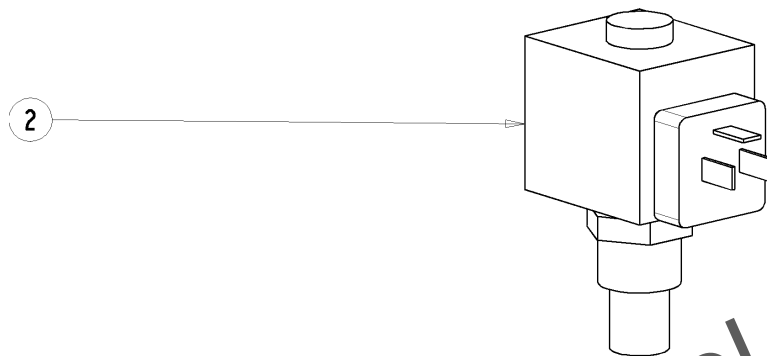
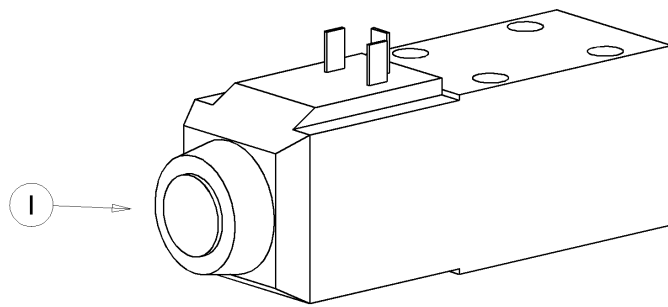
No.	PART NUMBER	DESCRIPTION	QUANTITY
	ADB00024	SPARE ROLL HOLDER ASM. COMPLETE	1
1	ADB00025	SPARE ROLL HOLDER WELDED FRAME	1
2	CBC00007	CAP BLACK PLASTIC 2.3/8" OSF	8
3	CZF02414	ROLL HOLDER MOUNT BRCKT	2
4	CFA00313	BOLT M12X130 Z/P	6
5	CFA00124	NUT M12 NYLOC	6

www.edanex.pl



HYDRAULIC CONTROL VALVE

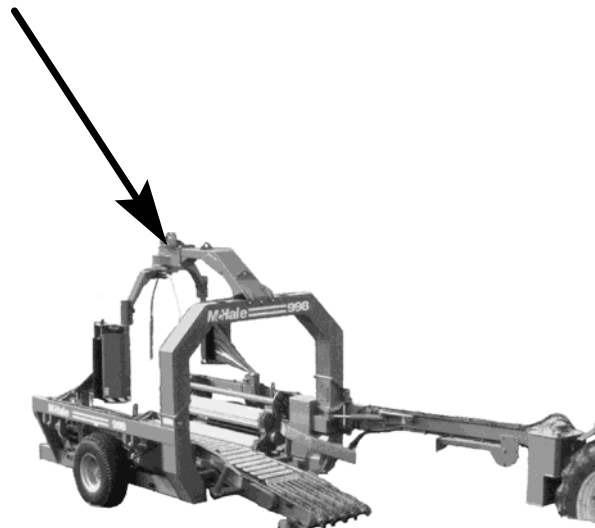
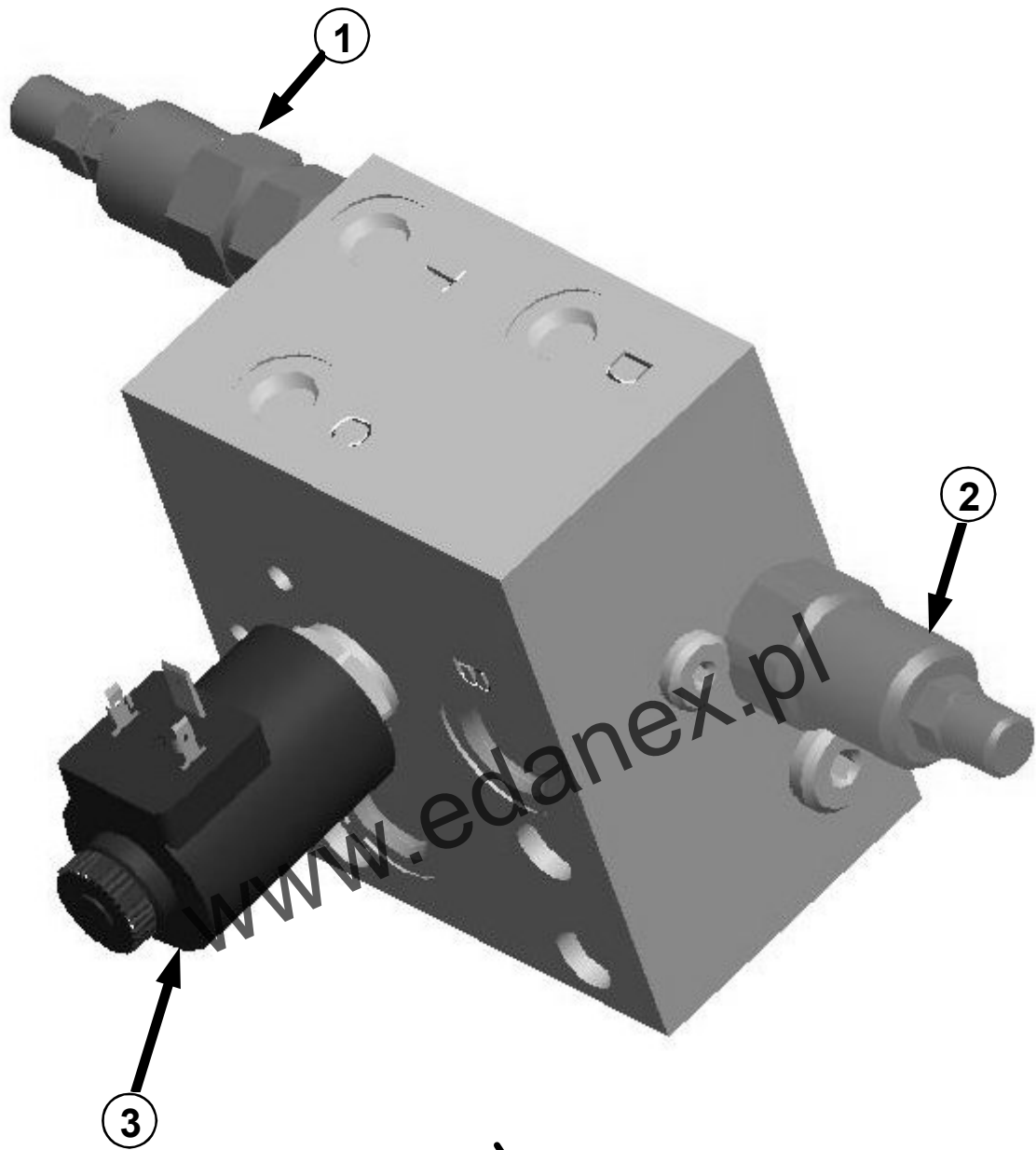
No.	Part Code	Description	Qty
1	CFA00568	M6x4.5-Fc=1 SCREW	1
2	CHY02020	ADAPTOR 1/4" BANJO ASY COMP	1
3	CVA00103	LEVER PIVOT BOX DPC130	4
4	CVA00117	SPOOL, DISPENSER ROTATION	1
5	CVA00118	SPOOL, CUT & HOLD	1
6	CVA00119	SPOOL, CONVEYOR	1
7	CVA00120	SPOOL, BALE LIFT	1
8	CVA00122	SOLENOID DPC130	4
9	CVA00175	END BLOCK VALVE CHEST	1
10	CVA00176	PLUG BSP 1/4"	5
11	CVA00177	FLOW LIMITER DPC130	2
12	CVA00178	VALVE SECTION DPC130 D10	2
13	CVA00179	VALVE SECTION DPC130 C10	1
14	CVA00180	VALVE SECTION DPC130 C21	1
15	CVA00186	SECTION COMPENSATOR DPC130	2
16	CVA00187	SEAL KIT DPC130 "O" RINGS	6
17	CVA00189	VALVE DPC130 (40-180 BAR)	1
18	CVA00191	VALVE DPC130 (180-350BAR)	1
19	CVA00192	FILTER LOAD SENSING DPC130	1
20	CVA00193	VALVE PRESSURE REDUCING DPC130	1
21	CVA00194	O-RING SEAL 5 X 1.2MM PARKER	12
22	CVA00195	O-RING SEAL 21.95MM X 1.78MM	6
23	CVA00196	CONTROL MODULE DPC130	4
24	CVA00197	SOC CAP M5 X 55MM	8
25	CVA00198	WASHER ELASTIC M5	12
26	CVA00199	O-RING SEAL 11.11MM X 1.78MM	8
27	CVA00200	PRESSURE REDUCER DPC130	8
28	CVA00201	SOC CAP M6 X 55MM	20
29	CVA00203	JOINT DPC130	1
30	CVA00204	OPEN BUSHING DPC130	8
31	CVA00205	SPRING DPC130	4
32	CVA00206	RING 11.2 X 23 X 3MM	4
33	CVA00207	PLUG DPC130	1
34	CVA00255	TIE ROD KIT VALVE CHEST	1
35	CVA00300	DPC130/ELP BODY	1
36	CVA00301	DPC130-DPC26 VALVE	4
37	CVA00302	UT/DPC130-SDS100 PLUG	2
38	CVA00303	LT/DPC26-DPC130-SDM081 PLUG	1
39	CVA00304	BSP 1/2 PLUG	2
40	CVA00305	ELP/DPC130-BSP WORKING SECTION	1
41	CVA00306	FE/DPC130/BR-BSP INLET COVER	1
42	CVA00307	DPC130/ELP-SPOOL	1
43	CVA00308	M18x1.5 PLUG	1
44	CVA00309	M14x1.5 DIN 906 PLUG	1
45	CVA00310	DPC130/ELP-FLANGE	1
46	CVA00311	UNI-5931/M6x18-8.8 GALVANIZED	4
47	CVA06009	CLOSED CTR KIT DPC130	1
48	CVA06011	CTE SHUTTLE VALVE DPC	1



ROLLER ROTATION BLOCK

No.	PART NUMBER	DESCRIPTION	QUANTITY
	CVA00021	ROLLER ROTATION BLOCK COMPLETE	1
1	CVA00038	VALVE "CC"	1
2	CVA00039	VALVE "NFC"	1
3	CFA00137	WASHER, 10mm SPRING	2
4	CFA00023	SETSCREW, M10x20 Z/P	2

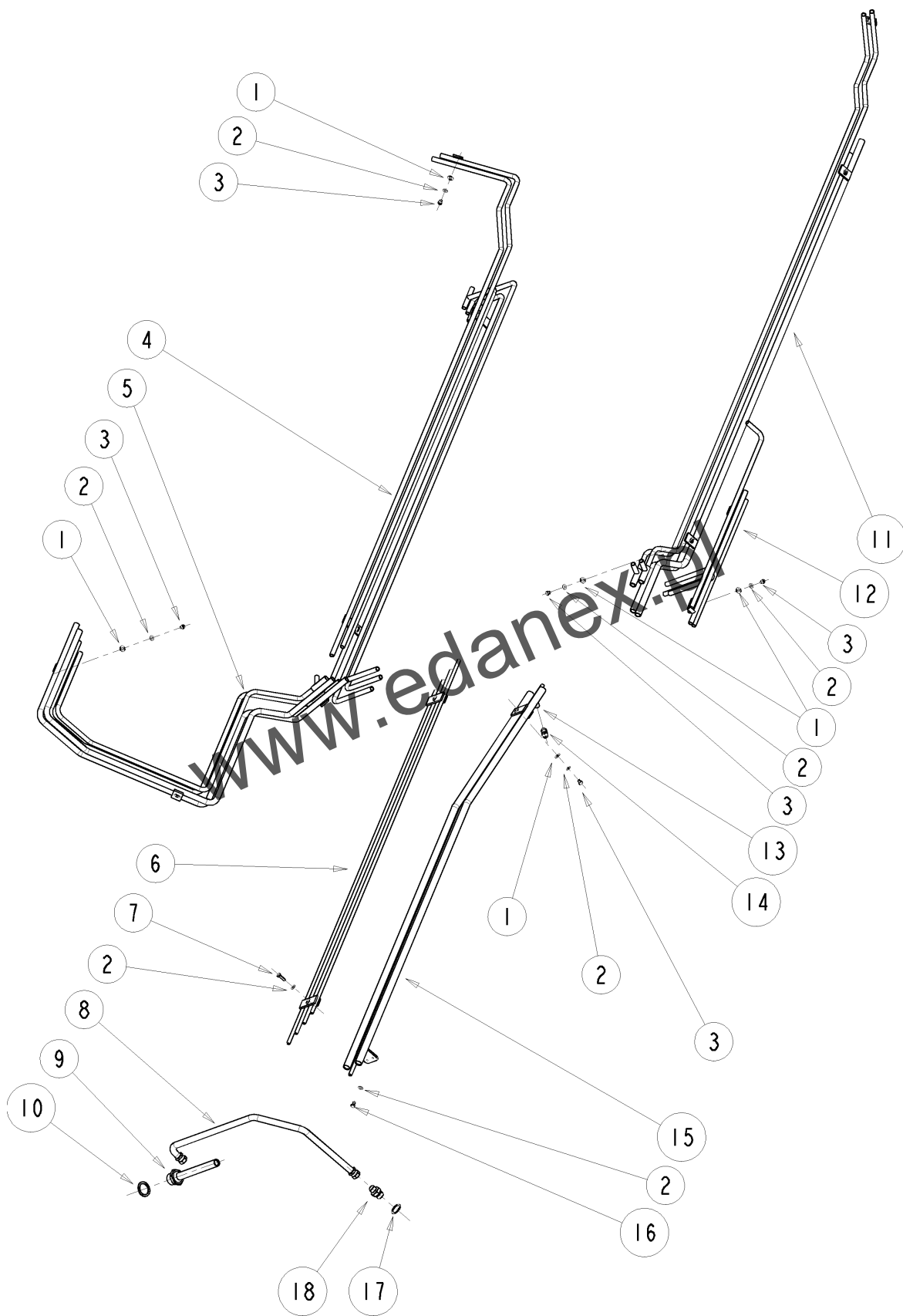
www.edanex.pl



DISPENSER DRIVE BLOCK

	CVA00153	VALVE ROTATION 998	1
1	CVA00287	CTE PRESSURE REDUCING HS & 998	1
2	CVA00312	OVER CENTRE VALVE ASSY	1
3	CVA00071	CTE 991BJS DETENT VALVE	1

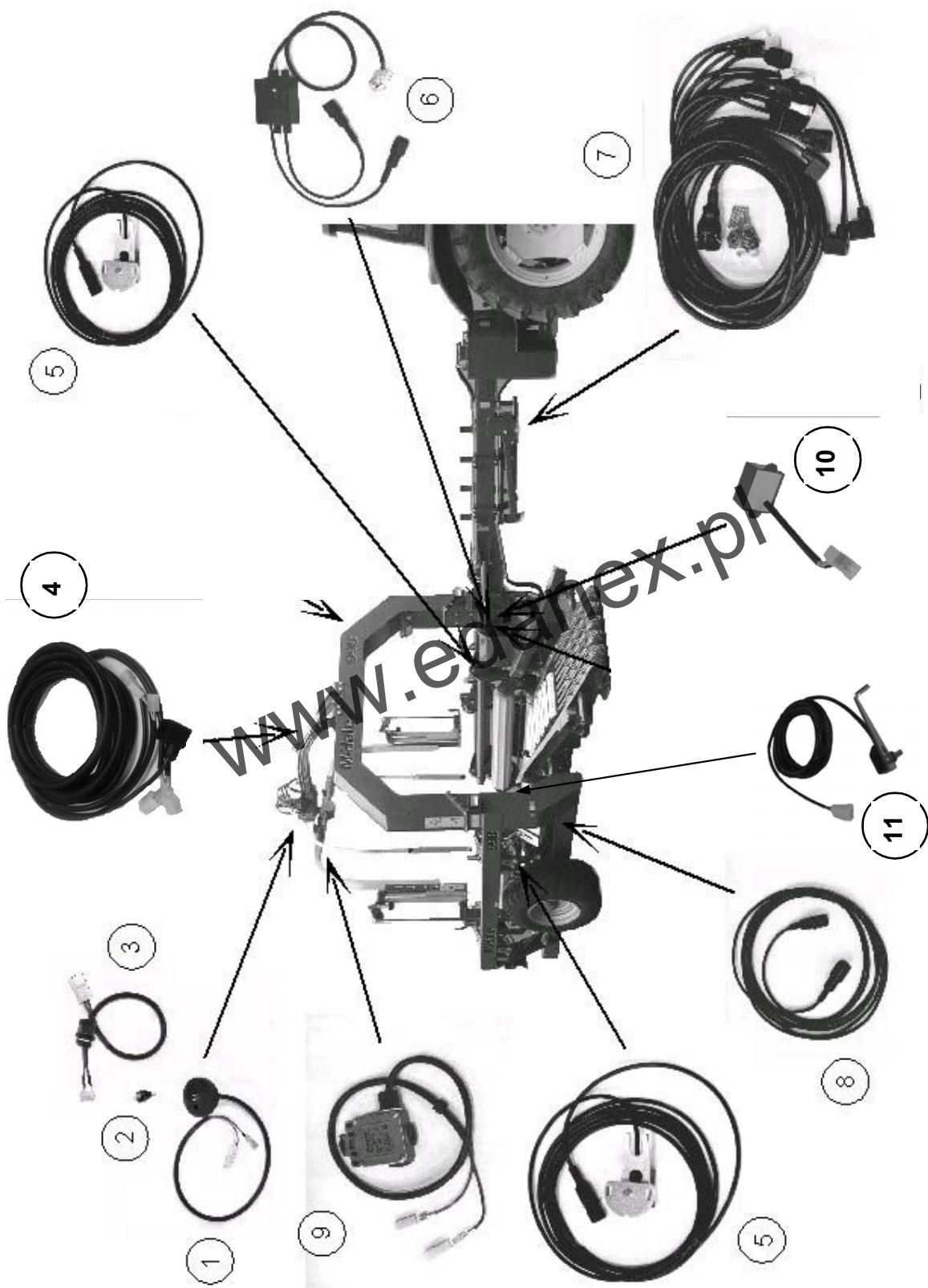
www.edanex.pl



STEEL HYDRAULIC PIPES

No.	PART NUMBER	DESCRIPTION	QUANTITY
1	CFA00251	WASHER 10mm SKM	12
2	CFA00249	WASHER 8mm SKM	15
3	CFA00292	SETSCREW M8x10 SOCKET CAP Z/P	12
4	CHY00039	STEEL PIPE ASSEMBLY REAR RIGHT	1
5	CHY00036	STEEL PIPE ASSEMBLY FRONT RIGHT	1
6	CHY00034	STEEL PIPE ASSEMBLY DRAWBAR TOP	1
7	CFA00316	BOLT M8x30 Z/P	2
8	CHY00033	STEEL PIPE PUMP INTERNAL RETURN	1
9	CHY00032	STEEL PIPE TANK RETURN	1
10	CHY00054	WASHER 1 1/4" "DOWTY"	1
11	CHY00037	STEEL PIPE ASSEMBLY REAR LEFT	1
12	CHY00038	STEEL PIPE ASSEMBLY FRONT LEFT	1
13	CHY00015	WASHER 1/4" "DOWTY"	3
14	CHY00056	PRESSURE TEST ADAPTOR	1
	CVA03102	NON RETURN VALVE 1/4"	1
15	CHY00035	STEEL PIPE ASSY DRAWBAR BOTTOM	1
16	CFA00101	SETSCREW M8x16 Z/P	2
17	CHY02012	WASHER 3/4" "DOWTY"	1
18	CHY00057	ADAPTER 5/8" M - 3/4" M	1

SEE ALSO PAGES 10 AND 11

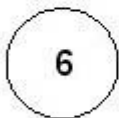
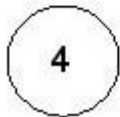
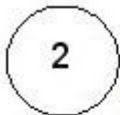


ELECTRONIC COMPONENTS 1

QUANTITIES ARE PER MACHINE

No.	PART NUMBER	DESCRIPTION	QUANTITY
1	CEL00046	SLIPRING LOWER LOOM	1
2	CEL00047	SLIPRING	1
3	CEL00045	SLIPRING UPPER LOOM	1
4	CEL00619	LOOM 998 TOP ARCH	1
5	CEL00048	POTENTIOMETER	2
	CFA00299	SETSCREW, M4x16 SOCKET CAP Z/P	4
	CFA00082	WASHER 4mm SHAKEPROOF	4
	CFA00083	WASHER 4mm FLAT	4
6	CEL00050	COMPARATOR	1
7	CEL00618	MAIN MACHINE LOOM	1
8	CEL00049	POTENTIOMETER EXTENSION LOOM	1
9	CEL00038	SAFETY ARM SWITCH	2
	CFA00314	SETSCREW, M5x40 Z/P	4
	CFA00320	WASHER 5mm FLAT	8
	CFA00321	NUT, M5 NYLOC	4
10	CEL00193	MODULE CONSTANT CURRENT	1
11	CEL00128	POTENTIOMETER 991 LIFT ARM	1

www.edanex.pl

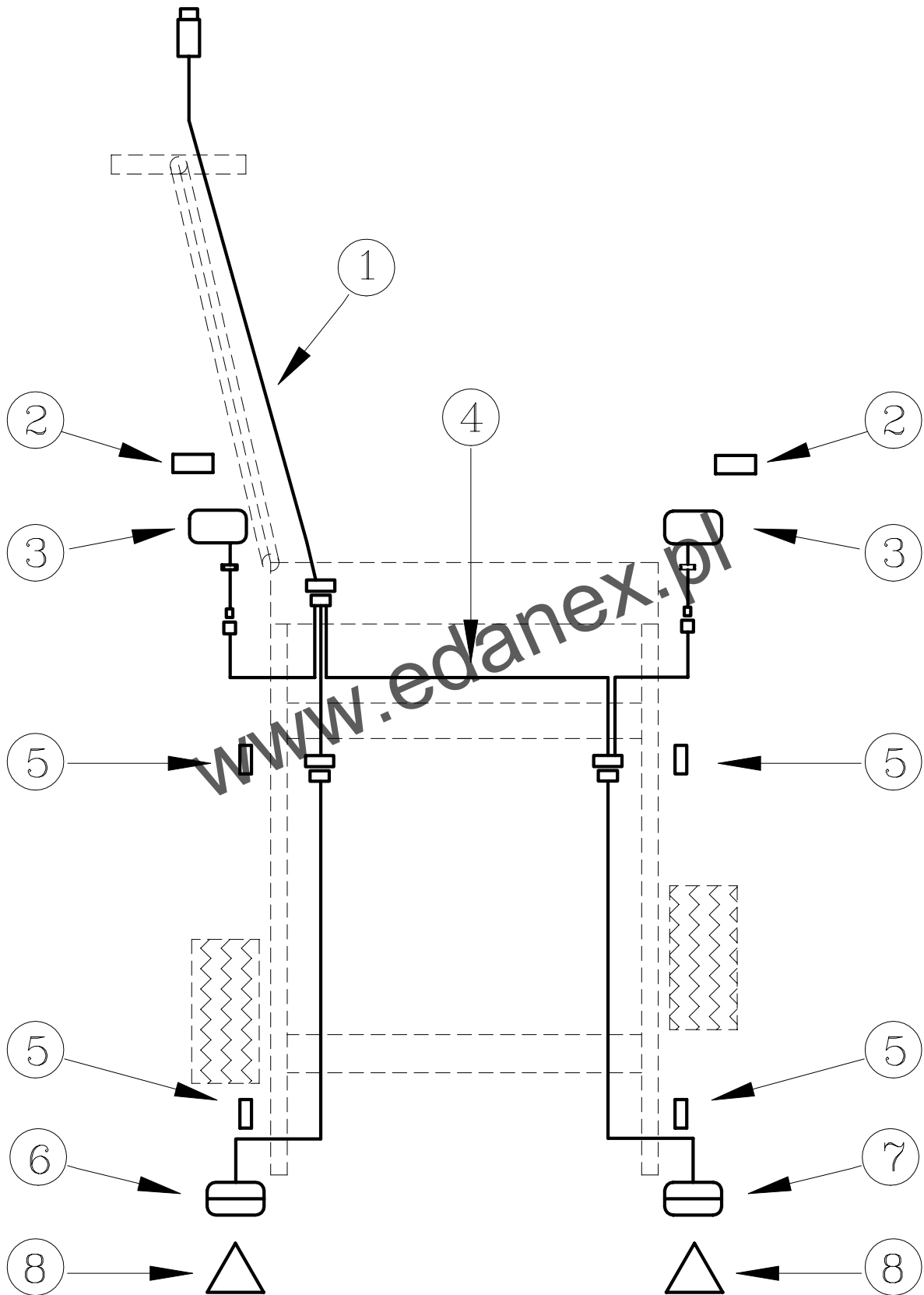


ELECTRONIC COMPONENTS 2

QUANTITIES ARE PER MACHINE

No.	PART NUMBER	DESCRIPTION	QUANTITY
1	CEL00168	CONTROL EXPERT 998	1
2	CEL00031	POWER LEAD (BATTERY)	1
3	CEL00064	POWER LEAD (EURO)	1
4	CPL00012	SUCTION PAD FOR CONTROL BOX	1
5	CEL00035	SENSOR	4
6	CEL00017	MAGNET, LARGE	4
	CFA00099	SETSCREW, M6x40 Z/P	4
	CFA00144	WASHER 6mm FLAT	4
	CFA00131	NUT, M6 NYLOC	4
	CFA00047	SETSCREW, M6x30 Z/P	1
7	CEL00059	MAGNET, SMALL	2
	CFA00261	SETSCREW, M5x25 CSK HEX STAINLESS	2
	CFA00084	WASHER 5mm SPRING STAINLESS	2
	CFA00262	NUT, M5 WING STAINLESS	2

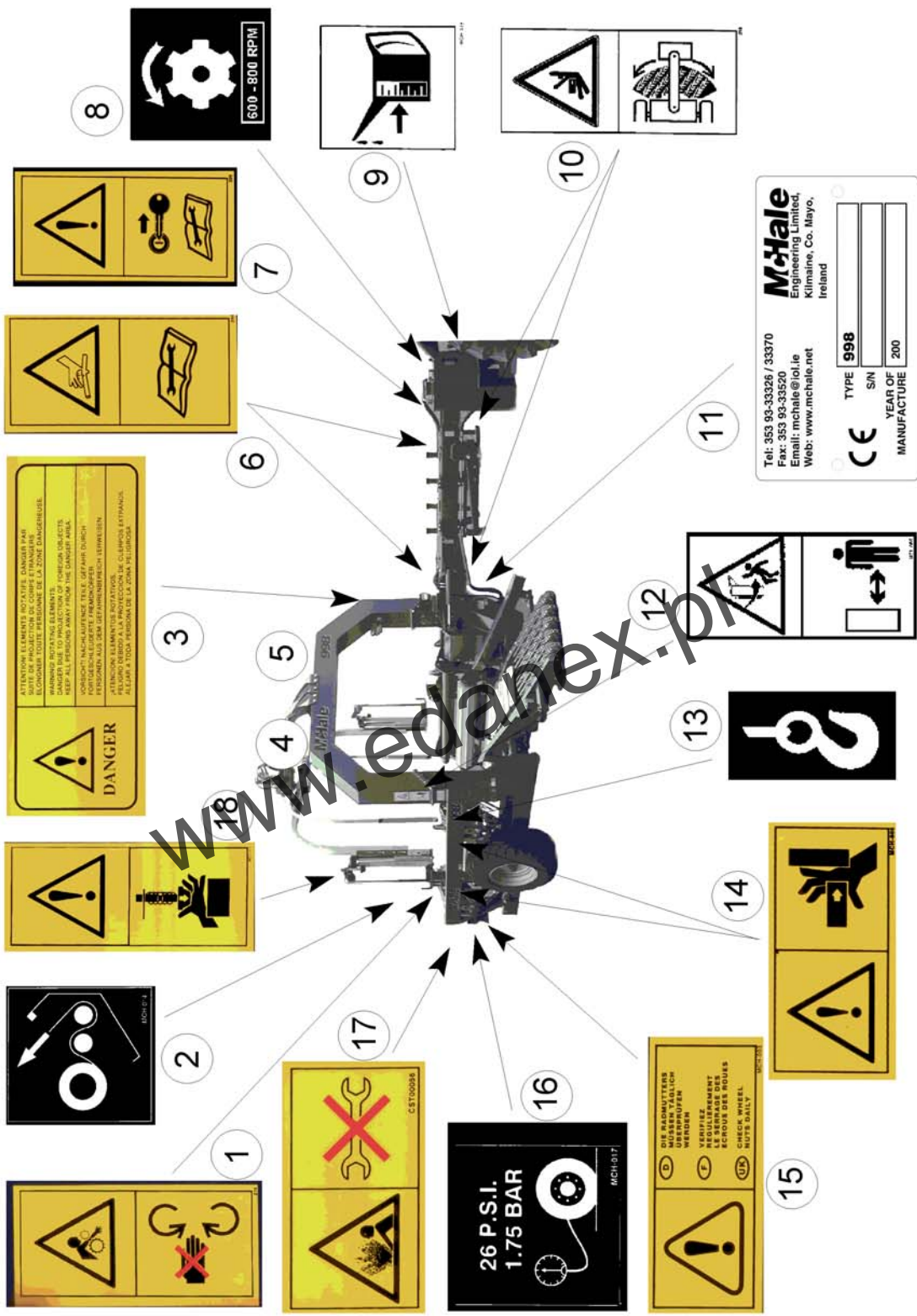
www.edanex.pl



LIGHTING

No.	PART NUMBER	DESCRIPTION	QUANTITY
1	CEL00072	7 PIN PLUG & LOOM	1
2	CEL00079	FRONT RECTANGULAR REFLECTOR (WHITE)	2
3	CEL00074	FRONT MARKER LIGHT & LOOM	2
4	CEL00073	JOINER LOOM	1
5	CEL00078	SIDE RECTANGULAR REFLECTOR (ORANGE)	4
6	CEL00075	LEFT HAND REAR LIGHT	1
7	CEL00076	RIGHT HAND REAR LIGHT	1
8	CEL00077	REAR TRIANGULAR REFLECTOR (RED)	2
	CFA00288	SETSCREW, M5x16 PAN HEAD	4
	CFA00321	NUT, M5 NYLOC	4
	CEL00111	WORK LIGHT & LOOM	1

www.edanex.pl



McHale
 Engineering Limited,
 Kilmaine, Co. Mayo,
 Ireland
 Tel: 353 93-33326 / 33370
 Fax: 353 93-33520
 Email: mchale@iol.ie
 Web: www.mchale.net
 CE TYPE 998
 S/N
 YEAR OF MANUFACTURE 200

DECALS

No.	PART NUMBER	DESCRIPTION	QUANTITY
	CST00012	DECAL SET COMPLETE	1
1	CST00017	HANDS CLEAR OF ROTATING PARTS	2
2	CST00022	PLASTIC FILM PATH	2
3	CST00014	WARNING! ROTATING ELEMENTS	2
4	CST00033	"MCHALE"	4
5	CST00036	"998"	4
6	CST00016	HYDRAULIC SYSTEM AWARENESS	2
7	CST00015	REMOVE IGNITION KEY	1
8	CST00023	PTO SPEED	1
9	CST00024	CHECK OIL LEVEL	1
10	CST00018	DRAWBAR CRUSH AREA	4
11		CHASSIS PLATE	1
12	CST00040	DISPENSER ROTATION WARNING	2
13	CST00032	LIFTING HOOK	4
14	CST00019	HAND CRUSH AREA	4
15	CST00020	CHECK WHEEL NUTS	2
16	CST00021	CHECK TYRE PRESSURE	2
17	CST00056	HYDRAULIC ACCUMULATOR WARNING	3
18	CST00026	HAND ENTRAPMENT	2

www.edanex.pl

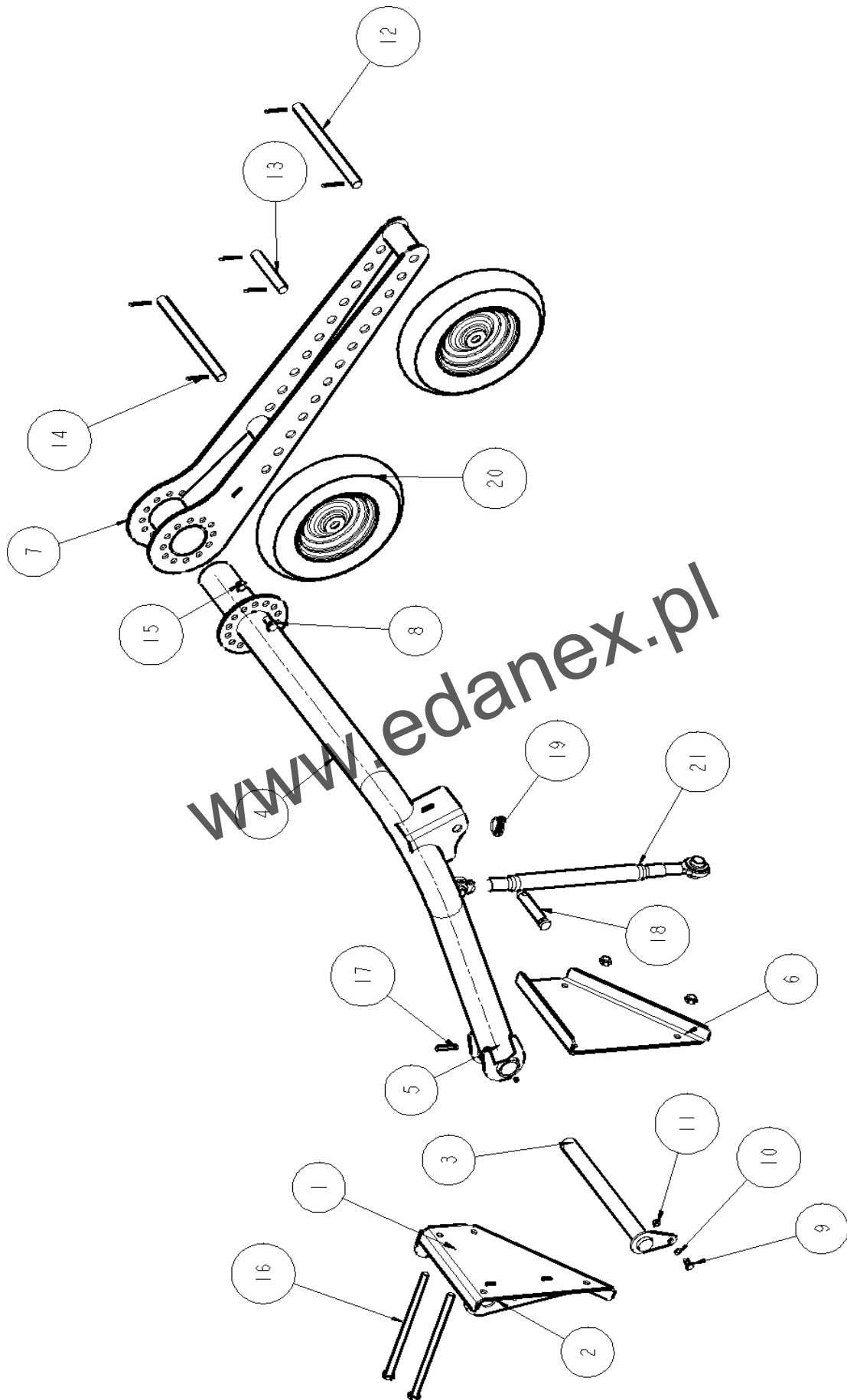
Notes

www.edanex.pl

998 Optional Extra's Parts Contents

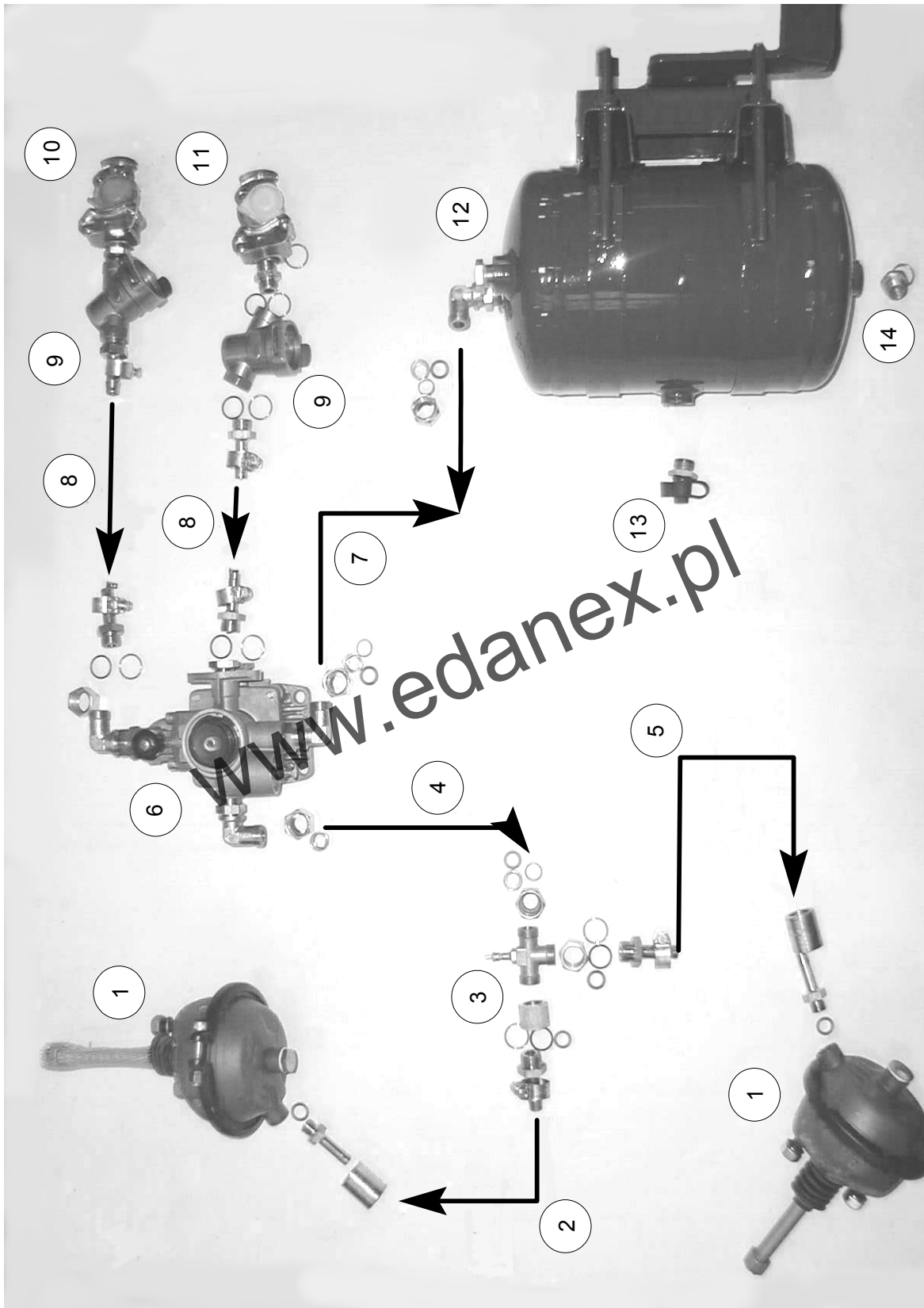
Title	Page
Round Bale Kit	68
Air Brake Kit	70
Small Bale Kit	72

www.edanex.pl



ROUND BALE KIT

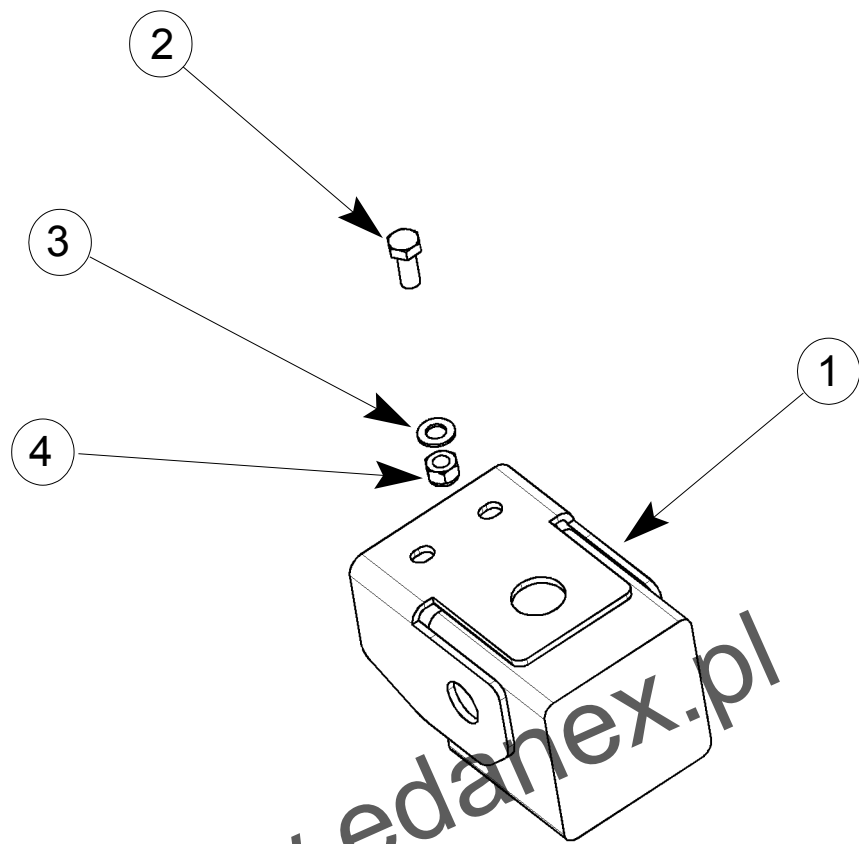
No.	PART NUMBER	DESCRIPTION	QUANTITY
	ACH00109	ROUND BALE ATTACHMENT	1
1	CZH02167	6MM L BALE ATTACHMENT BRCKT.	1
2	CZH02168	6MM L BALE ATTACHMENT BRCKT.	1
3	ACH00111	ROUND BALE PIVOT PIN ASM.	1
4	ACH00110	ROUND BALE PIPE ASSEMBLY	1
5	CMH00252	BUSH 41X58X40&12MM C.HOLE	1
6	CZH02169	6MM L FRONT ATTACHMENT BRCKT	1
7	ACH00112	WHEEL BRACKET ASSEMBLY	1
8	CFA00399	SETSCREW M16X30 Z/P	2
9	CFA00024	SETSCREW M10X25 Z/P	1
10	CFA00201	WASHER FLAT 10MM Z/P	1
11	CFA00123	NUT M10 NYLOC	1
12	CMH00392	PIN 25X355&2X5.5MM C.HOLES	2
13	CMH00393	PIN 25X155&2X8MM C.HOLES	1
14	CFA00013	SPLIT PIN 5X50 ZINC PL	6
15	CFA00128	NUT M16 NYLOC	6
16	CFA00408	BOLT M16X340 Z/P	4
17	CFA00110	ROLL PIN 12 X60	1
18	CMH00015	PIN 1" TOP LINK	1
19	CFA00005	LINCH PIN 10MM	1
20	CWH00021	WHEEL ASY 4.00 / 4.080 - 8	5
21	CTP00036	CAT 2 TOP LINK	1



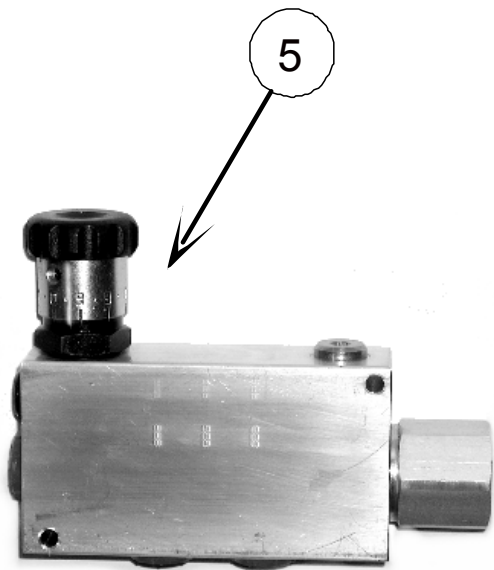
AIR BRAKE KIT

No.	PART NUMBER	DESCRIPTION	QUANTITY
1	CVA00124	AIR BRAKE ACTUATOR	2
2	CHY00125	HOSE A/B 1.85M LONG 25MM X 5.5MM	1
3	CVA00128	TEE PIECE AIR BRAKE VALVE	1
4	CHY00128	HOSE A/B 1M LONG 15MM X 1.5MM	1
5	CHY00126	HOSE A/B 2.9M LONG 25MM X 5.5MM	1
6	CVA00123	AIR BRAKE AIR VALVE	1
7	CHY00127	HOSE A/B 0.29M LONG 15MM X 1.5MM	1
8	CHY00124	HOSE A/B 5.3M LONG 25MM X 5.5MM	2
9	CVA00126	AIR BRAKE QUICK FIT COUPLING	2
10	CVA00127	AIR BRAKE QUICK FIT BRACKET (RED)	1
11	CVA00132	AIR BRAKE QUICK FIT BRACKET (YELLOW)	1
12	CVA00125	AIR BRAKE AIR TANK	1
13	CVA00131	RELIEF VALVE, AIR BRAKE TANK	1
14	CVA00130	DRAIN TAP, AIR BRAKE TANK	1

www.edanex.pl



www.edanex.pl



SMALL BALE KIT

No.	PART NUMBER	DESCRIPTION	QUANTITY
1	ARC00016	ROLLER CRADLE BALAST BRACKET ASSY	2
2	CFA00275	SETSCREW M14 X 35 FLANGED Z/P	4
3	CFA00222	WASHER FLAT 14MM Z/P	4
4	CFA00126	NUT M14 NYLOC	4
5	CVA03004	FLOW CONTROL VALVE	1

www.edanex.pl

Notes

www.edanex.pl