

# **McHale** *ENGINEERING LTD.*



QUALITY

I.S. EN ISO 9001:2008

**NSAI Certified**



## **995LSR-TSR Spare Parts Book**

McHale Engineering Limited,  
Castlebar Rd, Ballinrobe,  
Co. Mayo, Ireland.  
Tel: +353 94 9520300  
Fax: +353 94 9520356  
Email: [sales@mchale.net](mailto:sales@mchale.net)  
Website: [www.mchale.net](http://www.mchale.net)

---

[www.edanex.pl](http://www.edanex.pl)

This page is intentionally left blank

---

## Introduction

---

The **McHale 995LSR-TSR** which you have purchased has been developed through years of constant research and development. Given proper care and attention the **995LSR-TSR** will give years of reliable and dependable performance. However it is important that the operators manual is read and fully understood to achieve this, **before** the machine is operated. As part of this philosophy it is vital to use only **genuine McHale** replacement parts, as these are manufactured to the same high standard as the original machine. These may be obtained through your **McHale** dealer.

If any part of this manual is not fully understood, please contact your **McHale** dealer who will be able to answer any questions or queries that you might have. It is important to quote the machine serial number when requiring spare parts or technical assistance. Space is provided below to record the machine details:

<b>Serial number:</b>	
<b>Year of manufacture:</b>	
<b>Date of delivery:</b>	

If you require further copies of this spare parts manual please quote part number

**Note:** Parts described as left and right are done so according to the direction that the machine normally travels in.

**Note:** Due to a policy of continuous product development and improvement *McHale Engineering Ltd* reserve the right to alter machine specifications without prior notice.

---

## Contents

---

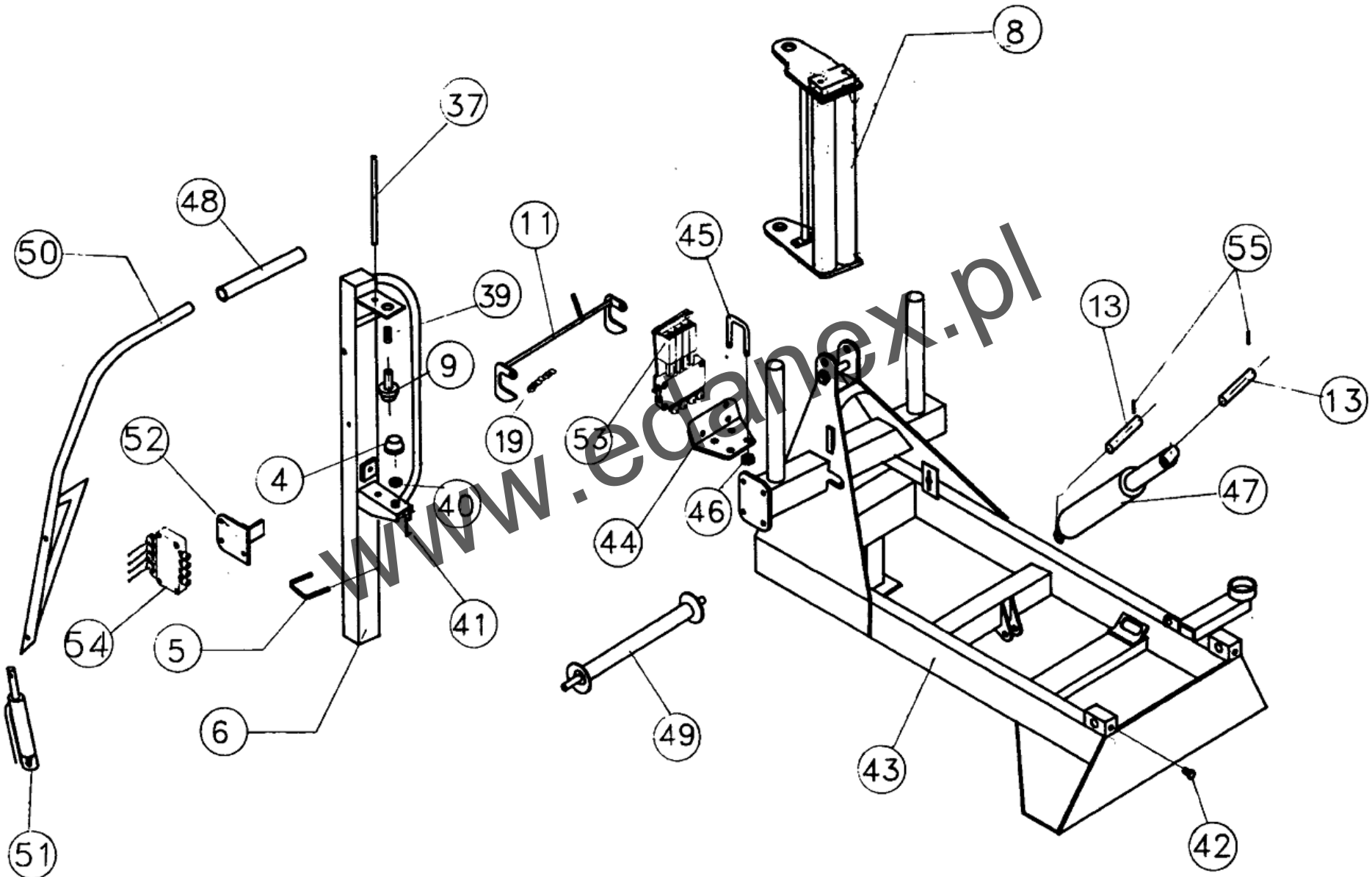
Section	Document No	Section	Document No
<b>Chassis</b>			
995LSR main chassis (29)	SPD00029		
995LSR sub chassis (30)	SPD00030		
995LSR-TSR rotary table (31)	SPD00031		
995LSR-TSR roller cradle (32)	SPD00032		
995LSR-TSR gearbox (33)	SPD00033		
995LSR-TSR cut & hold (34)	SPD00034		
995LSR-TSR dispenser post (35)	SPD00035		
995LSR-TSR dispenser (36)	SPD00036		
995TSR chassis (37)	SPD00037		
<b>Hydraulic &amp; Electrical</b>			
Hydraulic control valve manual (38)	SPD00038		
Hydraulic control valve (300)	SPD00300		
Hydraulic valve cables manual (40)	SPD00040		
Hydraulic & Electronic components (41)	SPD00041		
Remote control options (263)	SPD00263		

---

[www.edanex.pl](http://www.edanex.pl)

This page is intentionally left blank

**995LSR main chassis (29)**

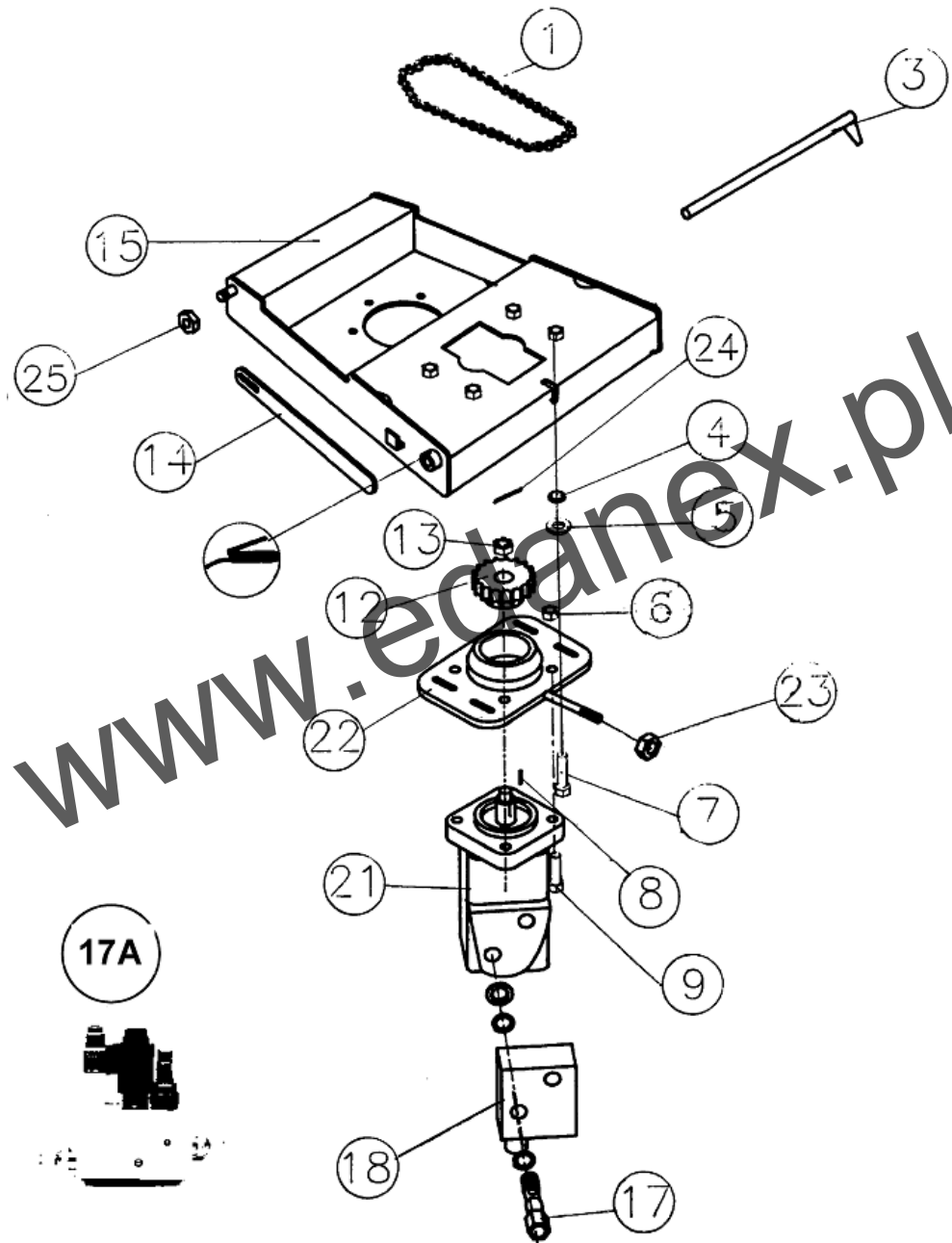


No.	Part No	Description	Qty
4	ADP00009	COIL ROLLER WITH BEARING	1
5	CFA00039	U-BOLT M16X80 Z/P	2
6	ADP00014	DISPENSER POST 995L ASSEMBLY	1
8	ADP00015	FILM DISPENSER UNIT	1
9	CMH00223	COIL ROLLER WITH BUSHING	1
11	ACH00003	QUICK FIT LATCH BRACKET	1
13	CMH00068	TIP RAM PIN 19X140&8MM C.HOLE Z/P	2
19	CSG00011	QUICK FIT LATCH SPRING	1
37	ADP00005	DISPENSER POST SHAFT	1
39	CSG00009	COIL ROLLER SPRING	1
40	CBR00009	COIL ROLLER BEARING	1
41	CFA00067	SPRING BOLT 5/8	1
42	CFA00028	BOLT M10X65 Z/P	1
43	ACH00059	MAIN CHASSIS 995L	1
44	ACH00005	995L VALVE BRACKET	1
45	CFA00039	U-BOLT M16X80 Z/P	2
46	CFA00128	NUT M16 NYLOC	4
47	CRA00044	TIP TABLE CYLINDER 995L	1
47	CSE00039	SEAL KIT TABLE TIP CYLINDER	1
48	CPL00026	PLASTIC SLEEVE PULL DOWN ARM	1
49	ACH00224	BAR QUICK FIT CAT 2	1
50	ADP00006	PULL DOWN ARM LINKAGE	1
51	CRA00035	PULL DOWN ARM CYLINDER	1
51	CSE00035	SEAL KIT PULL DOWN ARM	1
52	ACH00004	VALVE PLATE MANUAL VALVE	1
53	CVA00009	VALVE CONTROL 4 BANK ELECTRONIC	1
54	CVA00010	VALVE CONTROL 4 BANK MANUAL	1
55	CFA00010	ROLL PIN 8X50 Z/P	2

No.	Part No	Description	Qty
-----	---------	-------------	-----

www.edanex.pl

**995LSR sub chassis (30)**



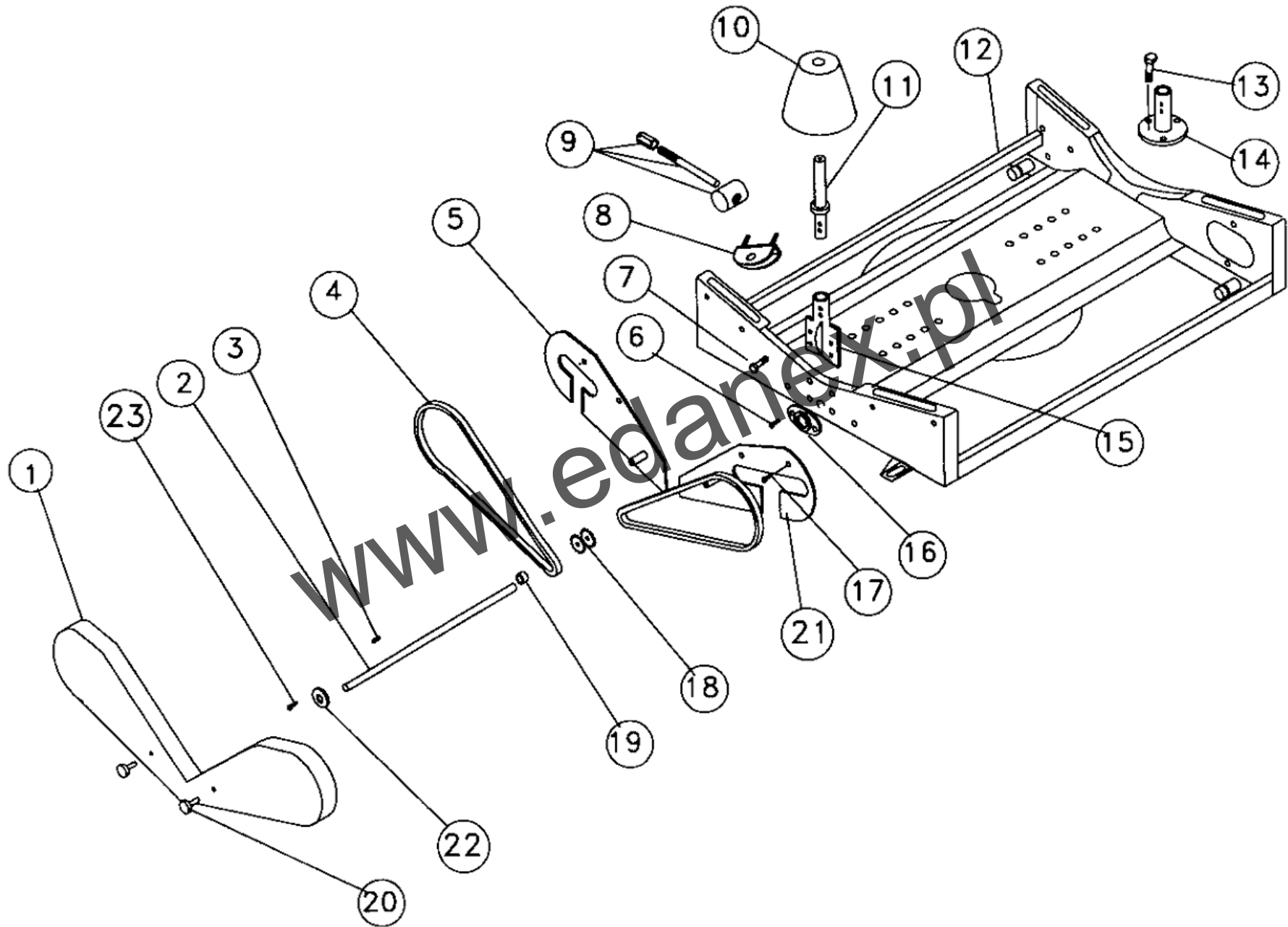


No.	Part No	Description	Qty
1	CCH00003	CHAIN 16B 1 47 LINKS	1
3	CMH00078	SUB CHASSIS PIVOT PIN	1
4	CFA00141	SPRING WASHER 16mm	4
5	CZD00192	WASHER 17X45X4	4
6	CFA00124	NUT M12 NYLOC	4
7	CFA00151	BOLT M16X40 Z/P	4
8	CFA00157	KEY 8X7X35	1
9	CFA00079	BOLT M12X45	4
12	CMH00177	MOTOR SPROCKET 12 TOOTH 1	1
13	CMT00015	MOTOR SPINDLE NUT	1
14	CZH00228	SAFETY BAR	1
15	ACH00013	SUB CHASSIS FRAME	1
17	CFA00179	BOLT 10X45 SOCKET CAP SCREW	2
17	CVA03000	SLOW SPEED VALVE DANFOSS OMS	1
18	CVA00011	CROSS LINE RELIEF VALVE DANFOSS	1
21	CMT00002	MOTOR 250cc CHAR LYNN	1
21	CSE00082	HALF SEAL KIT CHAR LYNN	1
21	CSE00081	SEAL KIT CHAR LYNN COMPLETE	1
21	CSE00083	SEAL KIT MOTOR DANFOSS	1
22	ACH00014	MOTOR ADJUSTING PLATE	1
23	CFA00128	NUT M16 NYLOC	1
24	CFA00021	SPLIT PIN 4X50	1
25	CFA00128	NUT M16 NYLOC	1

No.	Part No	Description	Qty
-----	---------	-------------	-----

www.edanex.pl

**995LSR-TSR rotary table (31)**

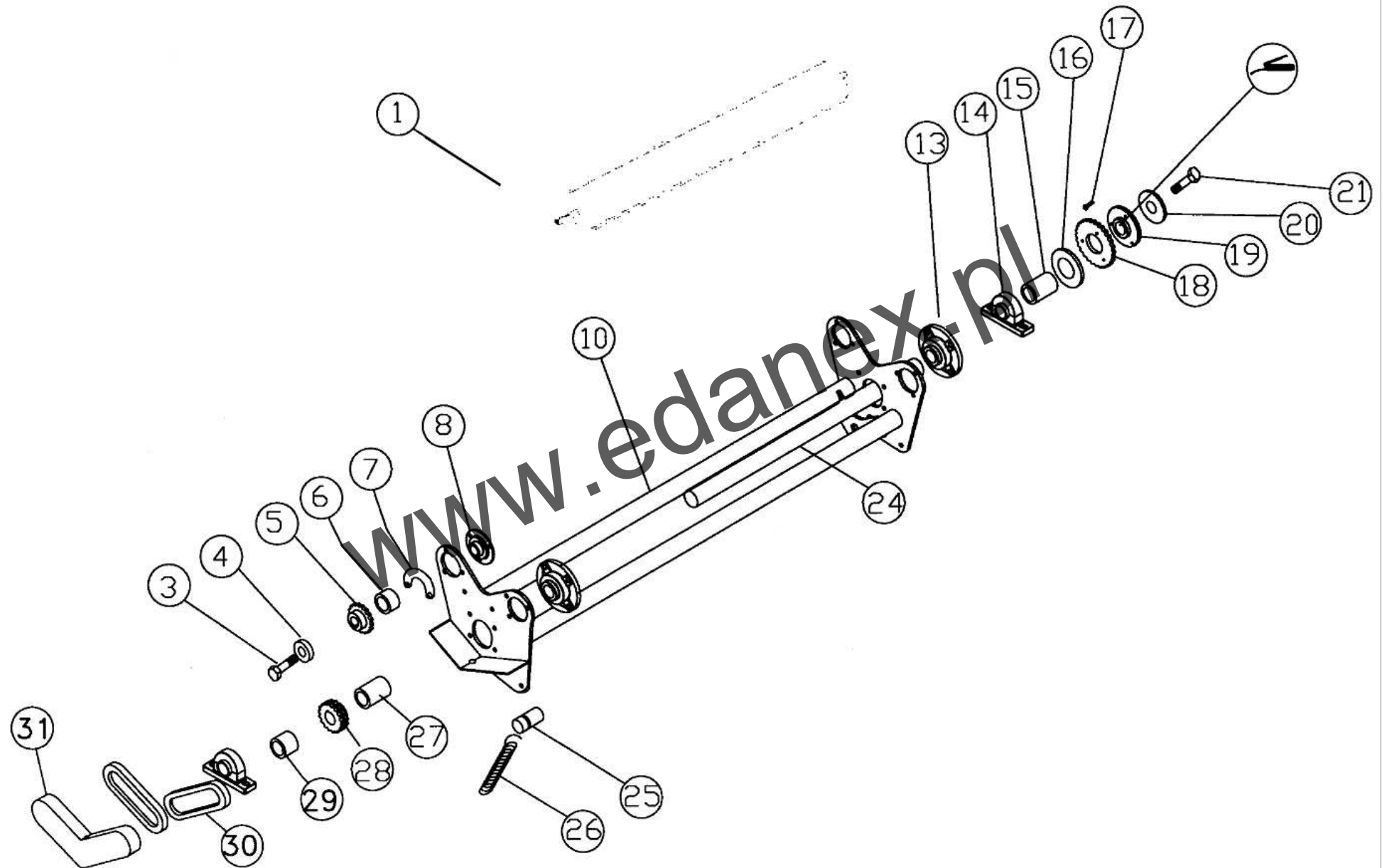


No.	Part No	Description	Qty
1	ART00022	MAIN GUARD ROTARY TABLE 995L	1
2	CMH00171	CROSS SHAFT 25MM 995L	1
3	CFA00387	KEY 8X7X50	1
4	CCH00010	CHAIN KIT ASA 60 3/4" 67 LINKS	2
5	ART00023	MAIN GUARD INSIDE PLATE R/H	1
6	CFA00324	SETSCREW M12X40 Z/P	2
7	CFA00151	SETSCREW M16X40 Z/P	4
8	ART00025	ROLLER ADJUSTING BRACKET	4
9	ART00026	ROLLER ADJUSTMENT KIT 995L	4
10	CPL00008	BALE BOBBIN	2
11	CMH00295	BOBBIN AXLE	2
12	ART00027	995L TABLE FRAME	1
13	CFA00151	SETSCREW M16X40 Z/P	6
14	ART00028	BOBBIN AXLE HOLDER INNER 995L	2
15	ART00029	BOBBIN AXLE HOLDER OUTER TABLE GUARD	1
15	ART00032	BOBBIN AXLE HOLDER OUTER CRADLE GUARD	1
16	CBR00006	BEARING 25MM 2 BOLT FLANGE	1
17	CFA00023	SETSCREW M10X20 Z/P	6
18	CMH00059	SPROCKET 3/4" PITCH 9T	2
19	CZF02223	SPACER GEARBOX CROSSHAFT	1
20	CFA00052	SETSCREW M8X20 Z/P	6
21	ART00024	MAIN GUARD INSIDE PLATE R/H	1
22	CFA00134	WASHER MUDWING 10MM X 38MM OD	1
23	CFA00023	SETSCREW M10X20 Z/P	1

No.	Part No	Description	Qty
-----	---------	-------------	-----

www.edanex.pl

**995LSR-TSR roller cradle (32)**

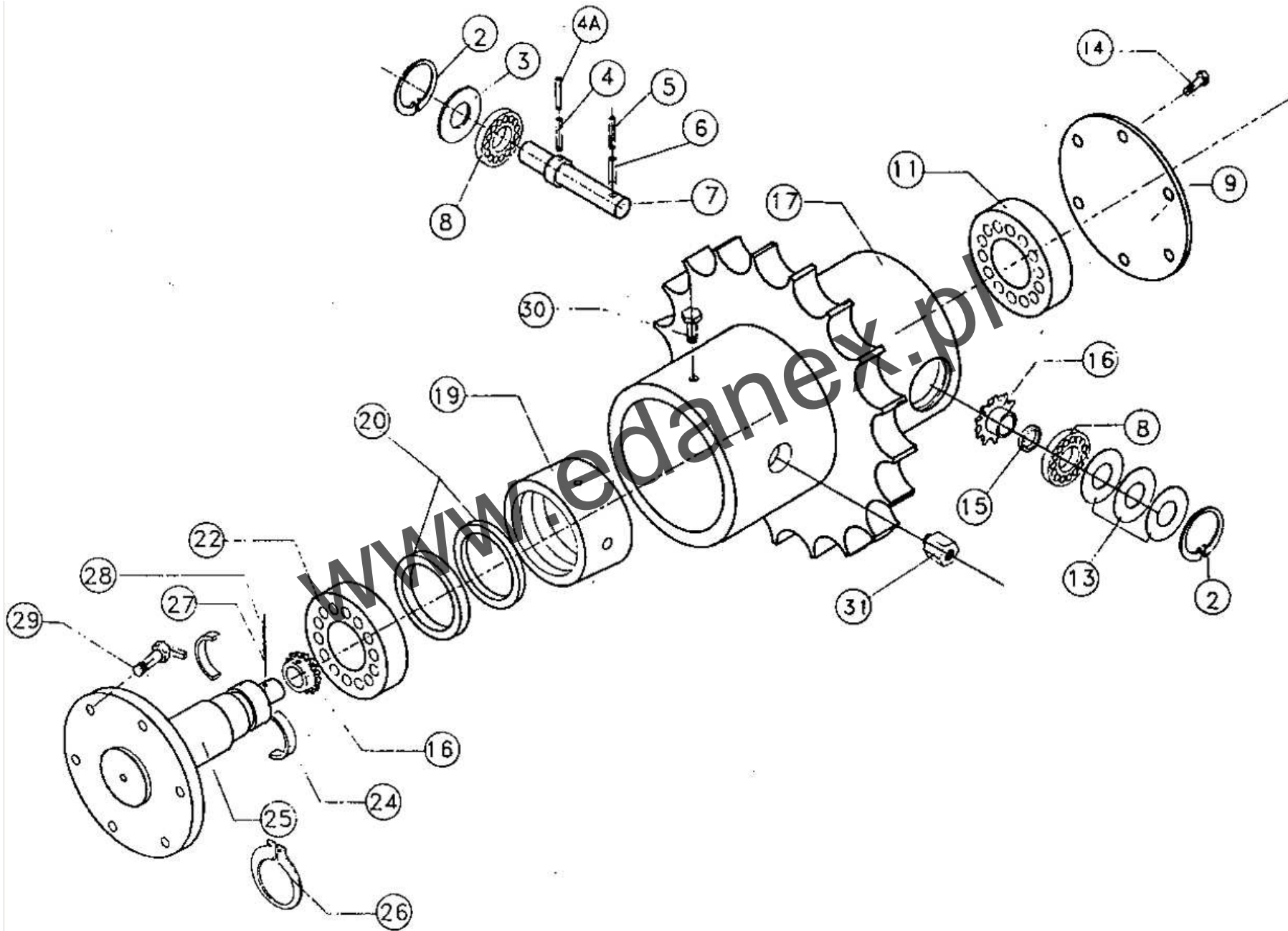


No.	Part No	Description	Qty
1	ART00014	ROLLER ASSEMBLY 995L (PLASTIC)	2
3	CFA00023	SETSCREW M10X20 Z/P	4
4	CZD00121	WASHER 10X50X4	2
5	CMH00281	SPROCKET 17 TOOTH 3/4	2
6	CXT00028	SPACER 60.3X25	1
6	CXT00029	SPACER 60.3X33	1
7	CZD00153	BEARING CLAMP 995L ROLLER	4
8	CBR00029	BEARING 3 BOLT FLANGED 35mm	4
10	ART00030	ROLLER CRADLE FRAME 995L	1
13	CBR00023	BEARING CIRCULAR FLANGE 1 3/4	2
14	CBR00005	BEARING 1 3/4 PILLOW BLOCK	2
15	CXT00024	SPACER 60.3X54	1
15	CXT00025	SPACER 60.3X49	1
16	CZD02112	WASHER 45X80X4	1
17	CFA00055	BOLT M8X35 Z/P	3
18	CMH00282	PLATE WHEEL 29 TOOTH 3/4	1
19	CMH00296	995SHEAR BOLT FLANGE	1
20	CZD02113	WASHER 10X60X4	1
21	CFA00023	SETSCREW M10X20 Z/P	1
24	CMH00053	SHAFT 45X2127&KEY WAY	1
25	CMH00006	PIN 30X50 (SPRING STUB)	2
26	CSG00017	SPRING	1
27	CXT00026	SPACER 60.3X20	2
28	CMH00293	SPROCKET 3/4 PITCH 17T DOUBLE	2
29	CXT00027	SPACER 60.3X42	1
30	CCH00011	CHAIN KIT ASA 60 CHAIN 33 LINK	4
31	ART00031	GUARD, CHAIN ROLLER CRADLE	1

No.	Part No	Description	Qty
-----	---------	-------------	-----

www.edanex.pl

**995LSR-TSR gearbox (33)**

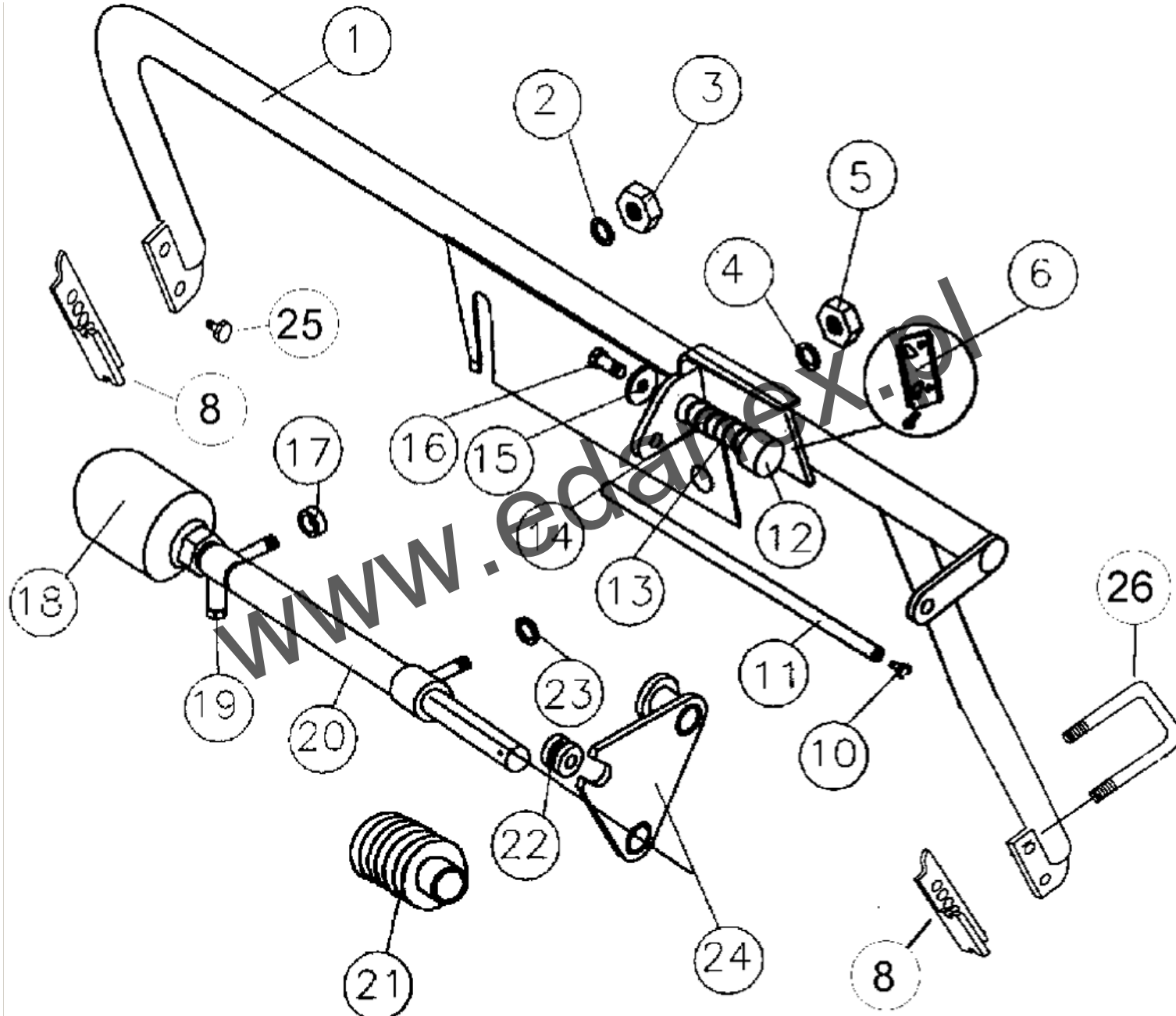


No.	Part No	Description	Qty
1	ACH00062	GEARBOX 995 COMPLETE	1
2	CFA00002	CIRCLIP 62mm INTERNAL	2
3	CFA00213	SPACER SHIM	1
4	CFA00009	ROLL PIN 8X40	1
4	CFA00006	ROLL PIN 5X40 INSERT	1
4	CFA00154	KEY 8X7X25	3
5	CFA00007	ROLL PIN 6X60	1
6	CFA00011	ROLL PIN 8X60	1
7	CMH00018	SHAFT BEVEL GEAR 995 GEARBOX	1
8	CBR00001	GEARBOX BEARING 6007 2RS	2
9	CZF00169	GEARBOX TOP PLATE	1
11	CBR00002	GEARBOX BEARING 6215 2RS	1
13	CFA00213	SPACER SHIM	3
14	CFA00045	BOLT M6X16	6
15	CMH00064	GEARBOX SHIM 36X50X6	1
16	CMH00176	BEVEL GEAR 16 TOOTH	2
17	ACH00034	GEARBOX HOUSING	1
19	CMH00032	SEAL BLOCK HOUSING	1
20	CSE00001	MAIN ROTARY SEAL GEARBOX	2
22	CBR00003	GEARBOX BEARING 6216 2RS	1
24	CMH00031	SPLIT RING	1
25	CMH00182	GEARBOX MAIN SHAFT	1
26	CFA00003	CIRCLIP 85mm EXTERNAL	1
27	CFA00011	ROLL PIN 8X60	1
28	CFA00007	ROLL PIN 6X60	1
29	CFA00042	BOLT M16X50	6
30	CFA00032	BOLT M12X30 Z/P	2
31	CHY02001	3/8"M-3/8"F EXTENSION	1

No.	Part No	Description	Qty
-----	---------	-------------	-----

www.edanex.pl

**995LSR-TSR cut & hold (34)**



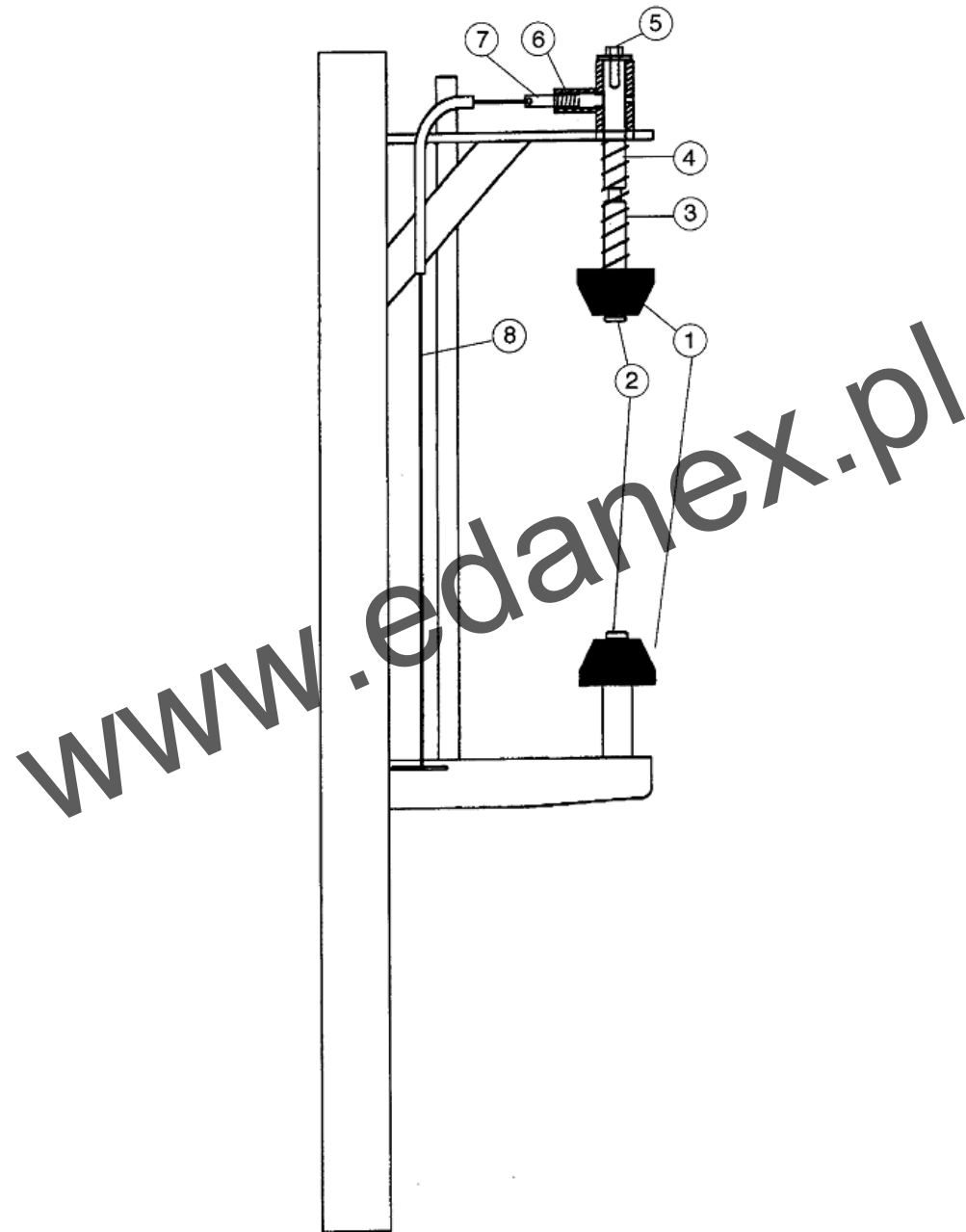


No.	Part No	Description	Qty
1	ACT00011	CUT & HOLD FULL ASSEMBLY	1
1	ACT00012	CUT & HOLD FRAME	1
2	CFA00222	WASHER 14mm FLAT	2
3	CFA00126	NUT M14 NYLOC	2
4	CFA00222	WASHER 14mm FLAT	2
5	CFA00126	NUT M14 NYLOC	2
6	CKN00001	CUT & HOLD KNIFE	1
6	ACT00061	CUT & HOLD KNIFE KIT	1
8	CZH00271	2 BOLT PLATE FOR CUT & HOLD	2
10	CFA00024	BOLT M10X25	2
11	CMH00326	GUIDE BAR C&H	1
12	CBE00002	RUBBER BUFFER M10	1
13	CSG00004	COIL SPRING CUT & HOLD	1
14	CMH00023	CHROME PLUNGER CUT & HOLD 25mm	1
15	CZD00118	WASHER	1
16	CFA00024	BOLT M10X25	1
17	CMH00093	14mm SPACER	1
18	CVA03013	ACCUMULATOR 1 LITRE 30 BAR	1
19	CHY02004	PLUG 3/8 BSP MALE	1
20	CRA00076	CUT & HOLD CYLINDER	1
20	CSE00021	SEAL KIT CUT & HOLD	1
21	CBE00006	RUBBER GAITER CUT & HOLD	1
22	CMH00325	BUSH STEPPED 20X40X90 (NYLON)	1
23	CFA00222	WASHER 14mm FLAT	2
24	ACT00009	CUT & HOLD FILM RETAINER	1
25	CFA00229	SETSCREW M16X35 Z/P	4
26	CFA00200	□U□ BOLT M16 X 80 X 50 Z/P	2

No.	Part No	Description	Qty
-----	---------	-------------	-----

www.edanex.pl

**995LSR-TSR dispenser post (35)**

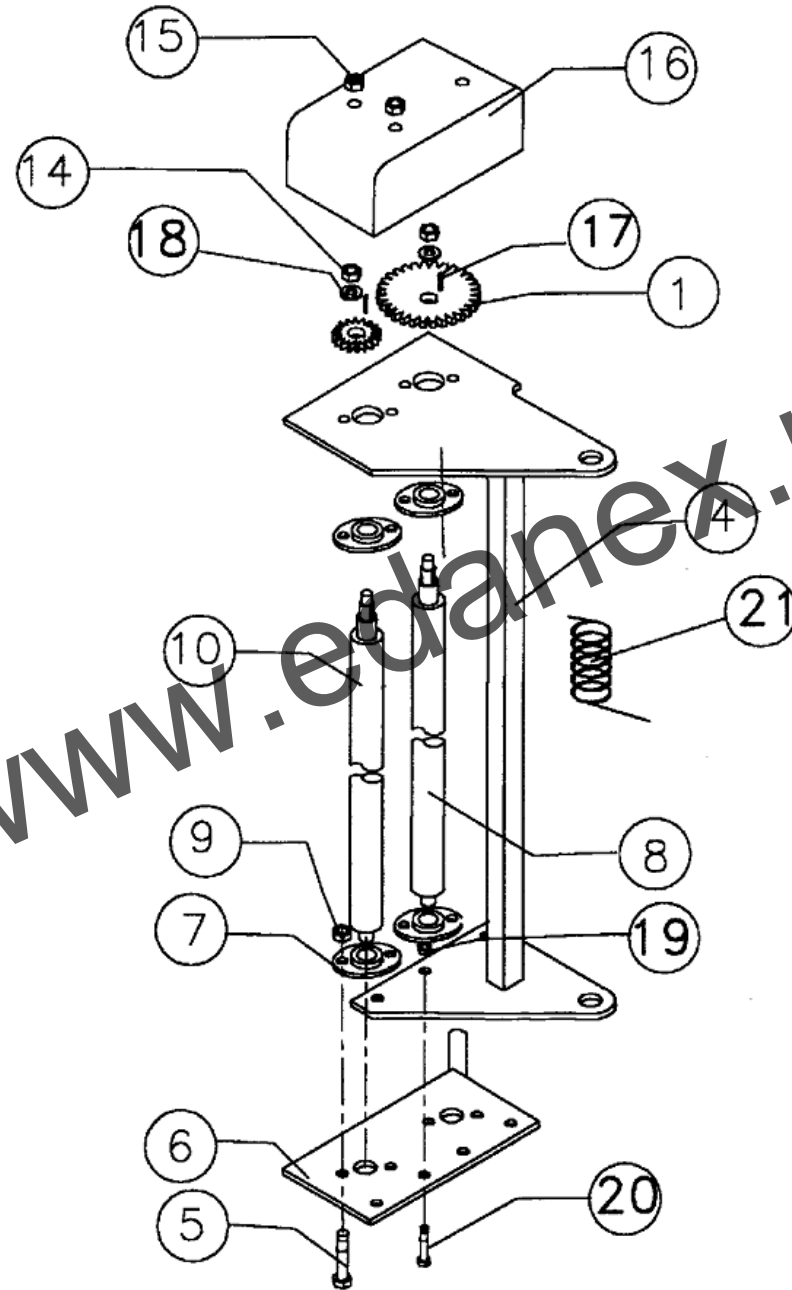


No.	Part No	Description	Qty
1	ADP00014	DISPENSER POST 995L ASSEMBLY	1
1	ADP00009	COIL ROLLER & BEARING	2
2	CFA00001	CIRCLIP 25mm	2
3	CSG00009	SPRING COIL ROLLER	1
4	CMH00195	COIL ROLLER DISPENSER SHAFT	1
5	CFA00024	BOLT M10X25	1
6	CSG00010	SPRING LATCH RELEASE	1
7	CMH00197	DISPENSER PIN LATCH	1
8	CFA00206	CABLE ROLLER RELEASE	1

No.	Part No	Description	Qty
-----	---------	-------------	-----

www.edanex.pl

**995LSR-TSR dispenser (36)**



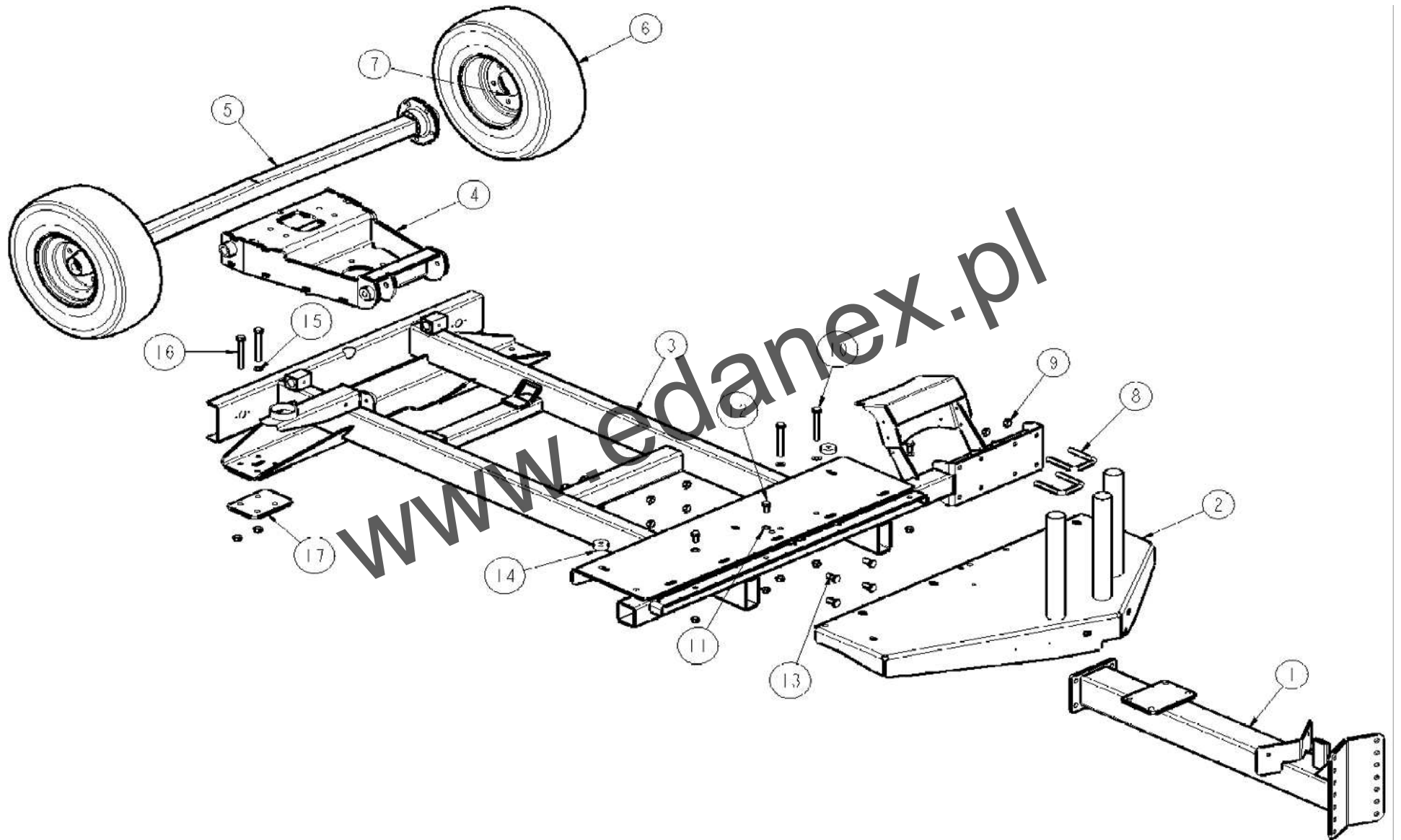
www.edanex.pl

No. Part No	Description	Qty
	ADP00015 DISPENSER ASSEMBLY 750MM	1
1	ADP00019 DISPENSER GEAR SET 55%	1
1	ADP00020 DISPENSER GEAR SET 64%	1
4	ADP00010 DISPENSER UNIT FRAME	1
5	CFA00052 BOLT M8X20	8
6	ADP00004 BOTTOM PLATE	1
7	CBR00004 FLANGED BEARING 20mm	4
8	CMH00034 PRIMARY ROLLER (ALU)	1
9	CFA00132 NUT M8 NYLOC	8
10	CMH00035 SECONDARY ROLLER (ALU)	1
14	CFA00124 NUT M12 NYLOC	2
15	CFA00132 NUT M8 NYLOC	2
16	CGD00001 GUARD DISPENSER GEARS	1
17	CFA00153 KEY 6X6X15	2
18	CFA00139 WASHER 12MM HEAVY DUTY	2
19	CFA00123 NUT M10 NYLOC	4
20	CFA00024 BOLT M10X25	4
21	CSG00003 SPRING TORSION DISPENSER	1

No. Part No	Description	Qty
-------------	-------------	-----

www.edanex.pl

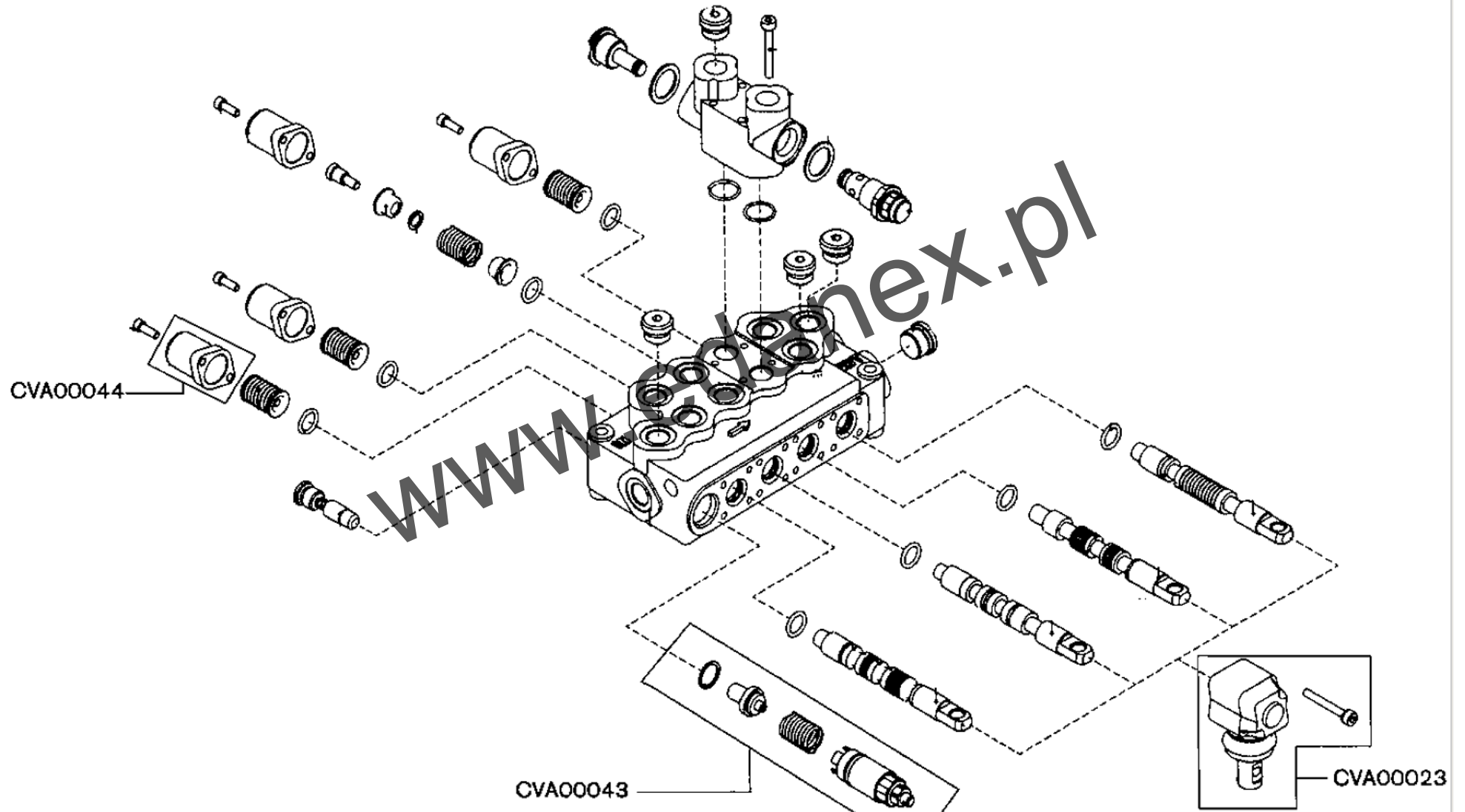
**995TSR chassis (37)**



No.	Part No	Description	Qty
1	ADB00018	DRAW BAR	1
2	ACH00078	TRAILED LNKGE POWER PACK PLATE	1
3	ACH00077	TRAILED LINKAGE CHASSIS	1
4	ACH00013	LINKAGE SUBCHASSIS	1
5	CAX00042	AXLE 60MM 5 STUD 1510 LONG	1
6	CWH00019	WHEEL 20.5X8-10	2
7	CAX00006	HUB FIVE STUD (FAD)	2
8	CFA00039	U BOLT M16X80X80 Z/P	2
9	CFA00128	NUT M16 NYLOC	12
10	CFA00209	BOLT M16X120 Z/P	4
11	CFA00222	WASHER FLAT 14MM Z/P	5
12	CFA00398	SETSCREW M14X30 Z/P	5
13	CFA00229	SETSCREW M16X35 Z/P	4
14	CBE00013	BUFFER 50 X 21 X 12MM HOLE	4
15	CFA00140	WASHER FLAT 16MM Z/P	4
16	CFA00209	BOLT M16X120 Z/P	4
17	CZH02141	10MM AXLE BOLT ON BRACKET	2

No.	Part No	Description	Qty
-----	---------	-------------	-----

www.edanex.pl



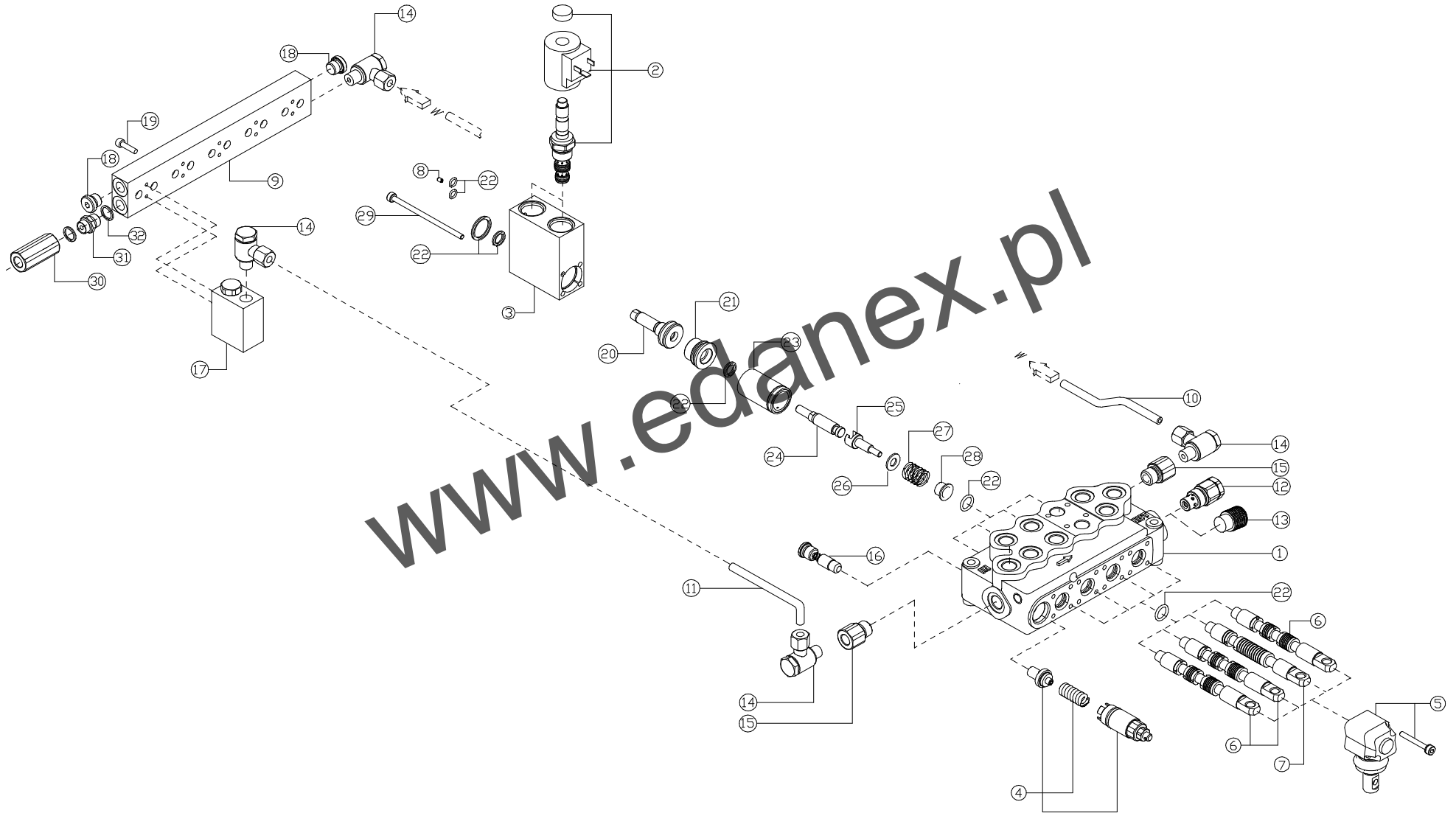


No.	Part No	Description	Qty
*	CVA00003	VALVE 4 BANK MANUAL	1
CVA 0004 4	CVA00044	SPOOL END CAP SD5	1
CVA 0004 3	CVA00043	RELIEF VALVE FOR SD5 VALVE	1
CVA 0002 3	CVA00023	LEVER PIVOT BOX SD5 M8	4
*	CVA06003	OPEN CENTRE PLUG MANUAL VALVE	1
*	CVA06001	CLOSED CENTRE PLUG	1

No.	Part No	Description	Qty
-----	---------	-------------	-----

www.edanex.pl

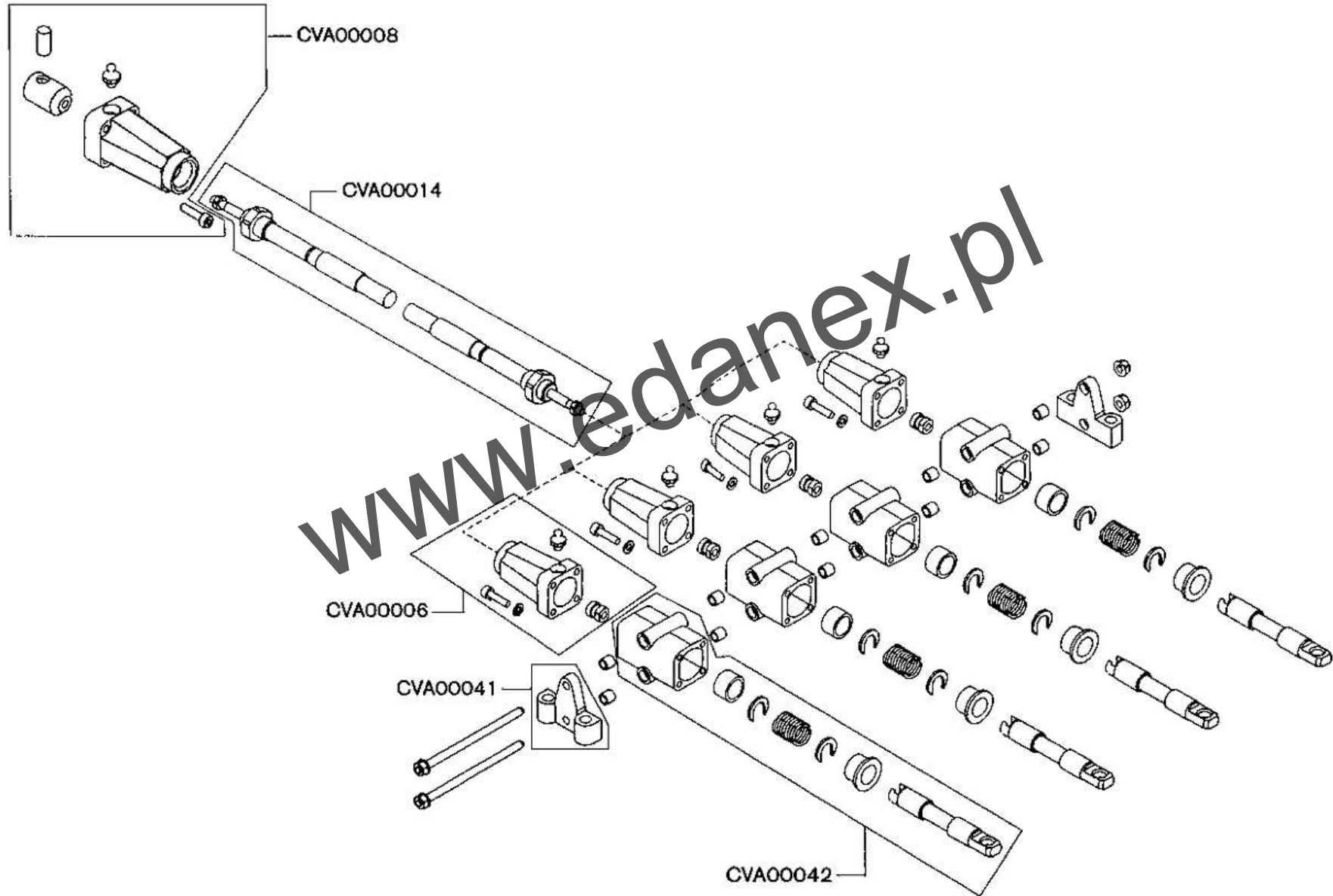
# Hydraulic control valve (300)



No.	Part No	Description	Qty
0	CVA00086	VALVE CTRL 4BANK ELEC LBER+LSR ASM	1
1	CVA00215	SD5 VALVE BLOCK	1
2	CVA00045	CTE+SOLENOID ELEC VALVE	8
3	CVA00046	VALVE BLOCK SOLENOID ELEC	4
4	CVA00043	VALVE RELIEF FOR SD5	1
5	CVA00023	LEVER PIVOT BOX SD5 M8	4
6	CVA00106	1/SD5 SPOOL	3
7	CVA00214	3B SD5 SPOOL	1
8	CFA00568	M6x4.5-Fc=1 SCREW	4
9	CVA00047	ALU MANIFOLD ELEC CTL VALVE	1
10	CVA00235	CONNNECTING PIPES	1
11	CVA00236	CONNNECTING PIPES	1
12	CVA06004	PLUG OPEN CTR ELEC VALVE	1
13	CVA06001	PLUG CLOSE CTR	1
14	CHY02020	ADAPTOR 1/4" BANJO ASY COMP	4
15	CVA00218	G3/8 - G1/4 JOINT	2
16	CVA00219	VR/SD5 KIT	1
17	CVA00220	PRESSURE CONTROL BLOCK	1
18	CVA00176	PLUG BSP 1/4"	3
19	CFA00261	SETSCREW M5X25 CSK HEX SS	10
20	CVA00226	PISTON SD5 SERVO	4
21	CVA00227	SEAL GLAND SD5 SERVO	4
22	CSE00065	SEAL KIT 4 BANK ELEC	4
23	CVA00228	SPACER SD5 SERVO	4
24	CVA00229	ROD SD5 SERVO	4
25	CVA00230	CONNECTING ROD SD5 SERVO	4
26	CFA00566	WASHER SD5 SERVO	4
27	CSG00043	SPRING SD5 SERVO	4
28	CVA00231	CUP SD5 SERVO	4
29	CFA00567	M5 X 100 _8.8 UNI 5931SCREW	16
30	CVA03009	VALVE DUMP 60 BAR	1
31	CHY02010	ADAPTOR 1/4" BSP	1
32	CHY00015	WASHER DOWTY 1/4"	2

No.	Part No	Description	Qty
-----	---------	-------------	-----

www.edanex.pl



No. Part No	Description	Qty
CVA CVA00007 0000 7	CABLE KIT COMPLETE 3M 4 BANK	1
CVA CVA00008 0000 8	CABLE TO VALVE MODIFICATION KIT	4
CVA CVA00014 0001 4	CABLE 3M 4CVA70 3000	4
CVA CVA00006 0000 6	CABLE TO REMOTE MODIFICATION KIT	4
CVA CVA00041 0004 1	CABLE REMOTE END CLAMP	2
CVA CVA00042 0004 2	CABLE REMOTE SPOOL C/W HOUSING	4

No. Part No	Description	Qty
-------------	-------------	-----

www.edanex.pl

**Hydraulic & Electronic components (41)**



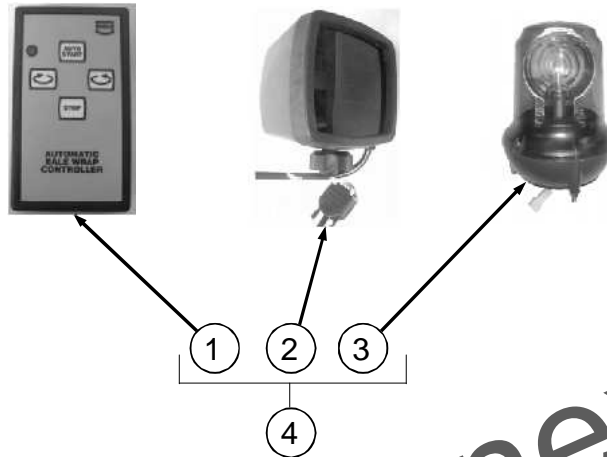
No.	Part No	Description	Qty
2	CEL00017	MAGNET	1
3	CMH00224	MAGNET SPACER	1
3	CEL00016	MONITOR ALARM	1
4	CPL00012	VACUUM PAD MULTIRACK	1
6	CEL00071	RDS KIT EXPERT 991	1
7	CVA00009	VALVE CONTROL 4 BANK ELECTRONIC	1
8	CVA03009	BLOW OFF VALVE 60 BAR	1
9	CEL00008	PRESSURE SWITCH 135 BAR (2000PSI)	1
10	CVA03000	SLOW SPEED VALVE DANFOSS OMS	1
11	CEL00087	LOOM AUTO ELECTRONIC 37 PIN	1
11	CEL00086	LOOM EXTENSION 7 M 37 PIN	1
11	CEL00115	LOOM EXTENSION 4 M 37 PIN	1
12	CEL00085	LOOM EXTENSION 1.5 M 37 PIN	1
13	CEL00004	SPEED SENSOR CABLE 3.6M	1
<i>THIS IS A STANDARD McHale REED SENSOR MEANING IT IS INTERCHANGEABLE WITH OTHER SUCH SENSORS AND ONLY DIFFERS IN CABLE LENGTH AND ARMOURING. UNIVERSAL SENSOR CEL00215 MAY BE USED IN PLACE OF THIS PART.</i>			
14	CEL00012	ELECTRONIC REMOTE RECEIVER	1
15	CEL00013	ELECTRONIC REMOTE HAND PIECE	1
16	CEL00031	3 METRE POWER CABLE	1
17	CEL00010	LOOM EURO POWER CABLE	1

No.	Part No	Description	Qty
-----	---------	-------------	-----

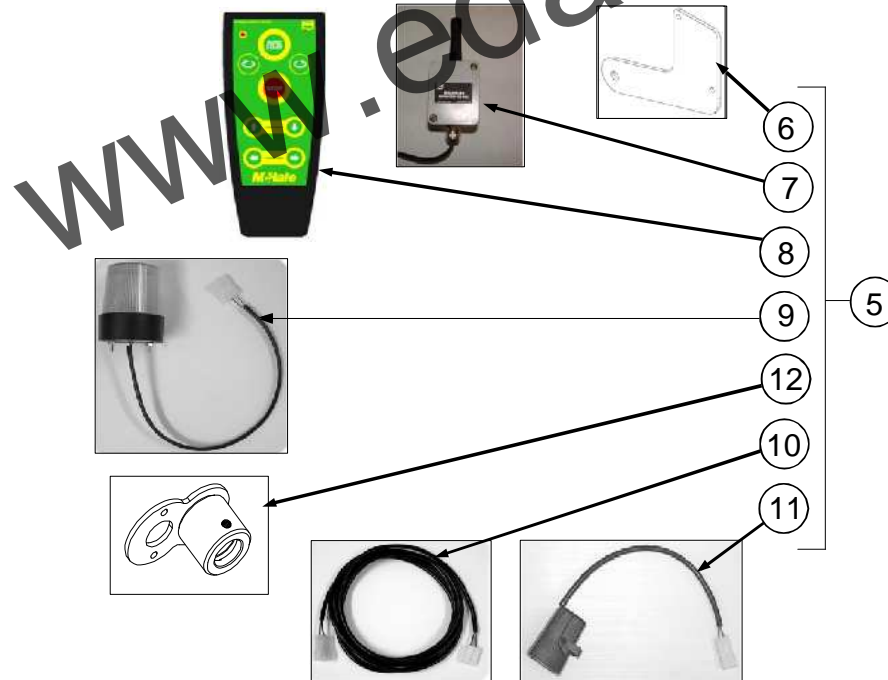
www.edanex.pl

**Remote control options (263)**

REMOTECONTROL INFRAREDTYPE



REMOTECONTROL RADIOCONTROLTYPE





No.	Part No	Description	Qty
1	CEL00013	REMOTE HAND PIECE	1
2	CEL00012	REMOTE RECEIVER	1
3	CEL00032	BEACON CW LOOM	1
4	KST00007	KIT REMOTE & BEACON 991BE	1
5	KST00053	KIT RADIO REMOTE & BEACON 991BE	1
6	CZC04362	BRACKET REMOTE TRANSMITTER.	1
7	CEL00665	RECEIVER	1
8	CEL00664	HAND PIECE	1
9	CEL00292	BEACON XENON AMBER	1
10	CEL00293	EXTENSION BEACON 2.8M	1
11	CEL00220	WARNING BUZZER	1
12	ADP00160	BRACKET BEACON XENON	1

No.	Part No	Description	Qty
-----	---------	-------------	-----

www.edanex.pl