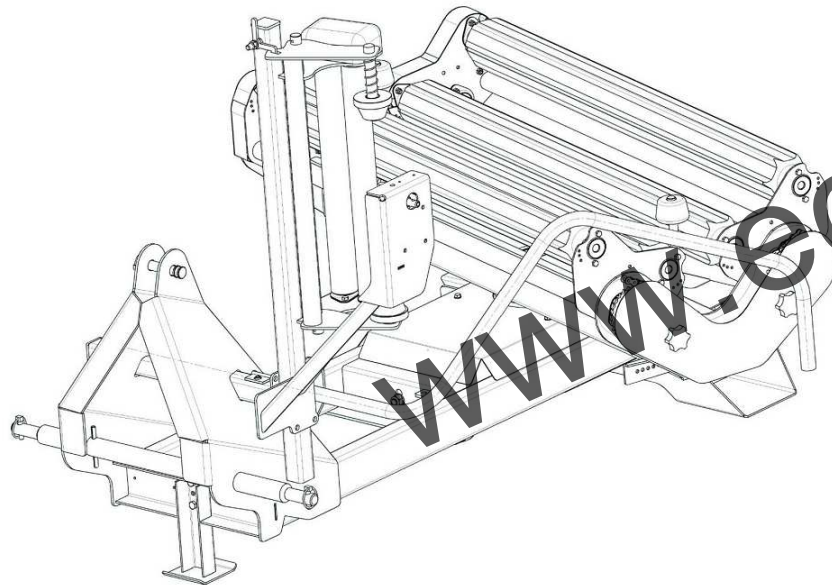


McHale *ENGINEERING LTD.*

995LM

Spare Parts Book



McHale Engineering Limited,
Castlebar Rd, Ballinrobe,
Co. Mayo, Ireland.

Tel: +353 94 9520300

Fax: +353 94 9520356

Email: sales@mchale.net

Website: www.mchale.net



ISI EN ISO 9002

www.edanex.pl

This page is intentionally left blank

Introduction

The **McHale 995LM** which you have purchased has been developed through years of constant research and development. Given proper care and attention the **995LM** will give years of reliable and dependable performance. However it is important that the operators manual is read and fully understood to achieve this, **before** the machine is operated. As part of this philosophy it is vital to use only **genuine McHale** replacement parts, as these are manufactured to the same high standard as the original machine. These may be obtained through your **McHale** dealer.

If any part of this manual is not fully understood, please contact your **McHale** dealer who will be able to answer any questions or queries that you might have. It is important to quote the machine serial number when requiring spare parts or technical assistance. Space is provided below to record the machine details:

Serial number:	
Year of manufacture:	
Date of delivery:	

If you require further copies of this spare parts manual please
quote part number

Note: Parts described as left and right are done so according to the direction that the machine normally travels in.

Note: Due to a policy of continuous product development and improvement *McHale Engineering Ltd* reserve the right to alter machine specifications without prior notice.

Contents

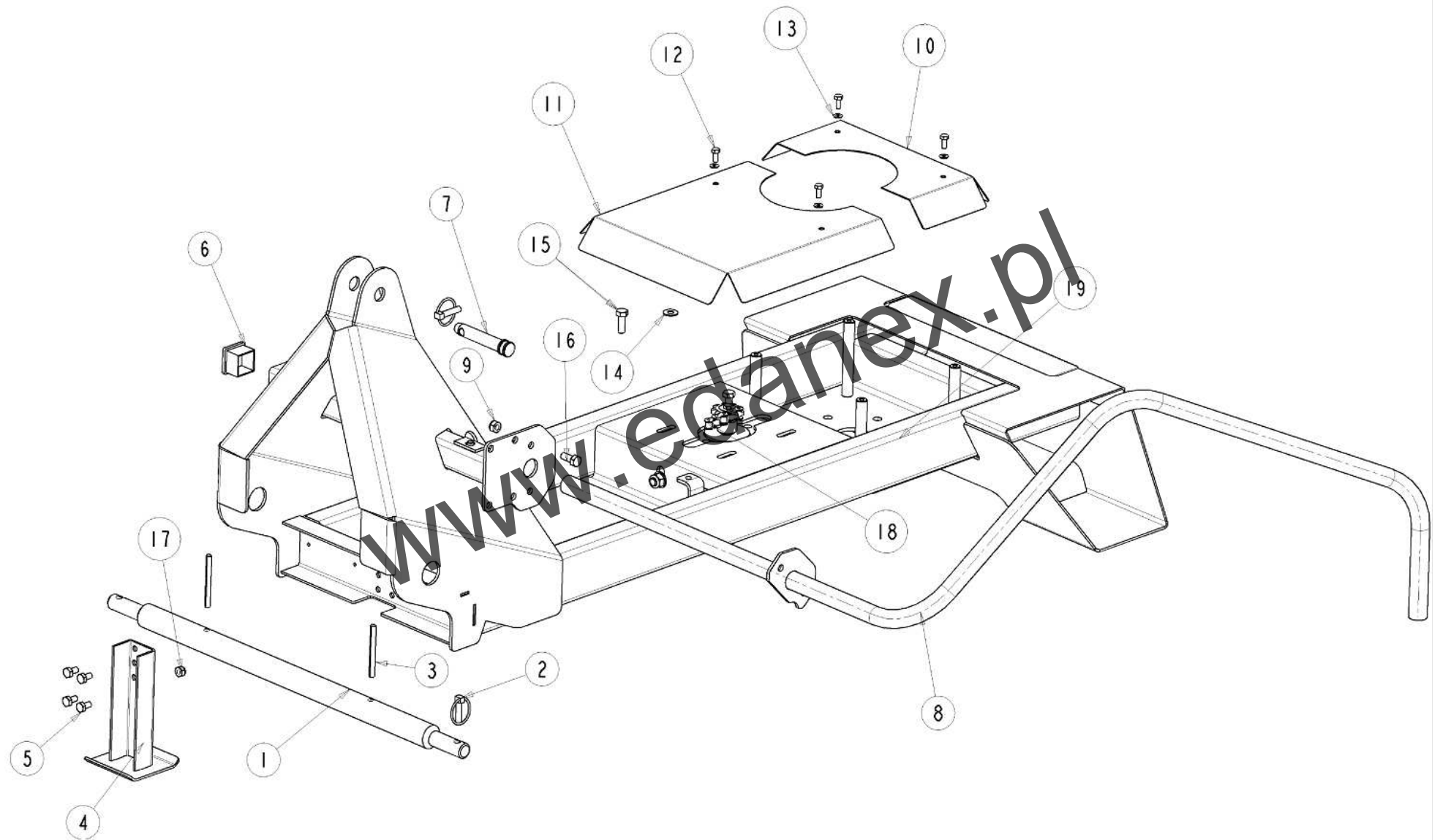
Section	Document No	Section	Document No
995LM			
Chassis (278)	SPD00278		
Table (279)	SPD00279		
Dispenser (280)	SPD00280		
Film holder (281)	SPD00281		
Cradle (282)	SPD00282		
Valve bracket (283)	SPD00283		
Gearbox (284)	SPD00284		
Motor (285)	SPD00285		
Bobbin (286)	SPD00286		
Hydraulic & Electrical (566)	SPD00566		

www.edanex.pl

www.edanex.pl

This page is intentionally left blank

Chassis (278)

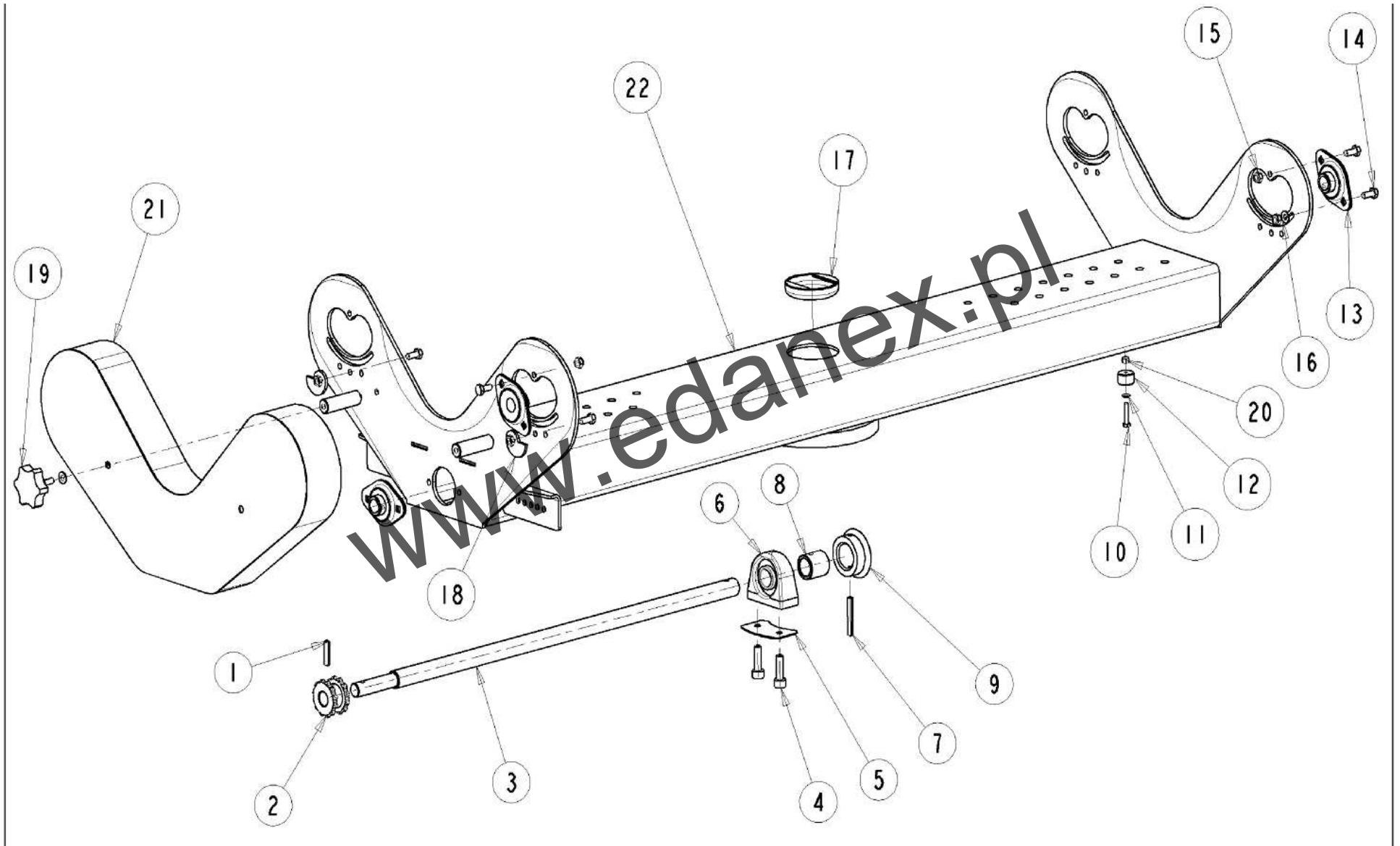


No.	Part No	Description	Qty
1	CMH00216	LOWER LINK BAR	1
2	CFA00005	LINCH PIN	3
3	CFA00331	ROLL PIN 10 x 100 Z/P	2
4	ACH00027	FRONT STAND	1
5	CFA00023	M10 x 20 Z/P SETSCREW	4
6	CBC00016	50 x 50 BLANKING CAP	1
7	CMH00015	TOP LINK PIN	1
8	ACH00087	SAFETY BAR	1
9	CFA00124	M12 NYLOC NUT	2
10	CZB02023	GEAR BOX CHAIN GUARD (BACK)	1
11	CZB02022	GEAR BOX CHAIN GUARD (FRONT)	1
12	CFA00052	M8 x 20 Z/P STESCREW	4
13	CFA00147	M8 FLAT WASHER	4
14	CFA00250	12mm SKM WASHER	4
15	CFA00031	M12 x 25 Z/P SETSCREW	4
16	CFA00032	M12 x 30 Z/P SETSCREW	2
17	CFA00123	M10 NYLOC NUT	4
18	CCH00021	57 LINK 3/4" PITCH CHAIN	1
19	ACH00025	995 LM CHASSIS	1

No.	Part No	Description	Qty
-----	---------	-------------	-----

www.edanex.pl

Table (279)

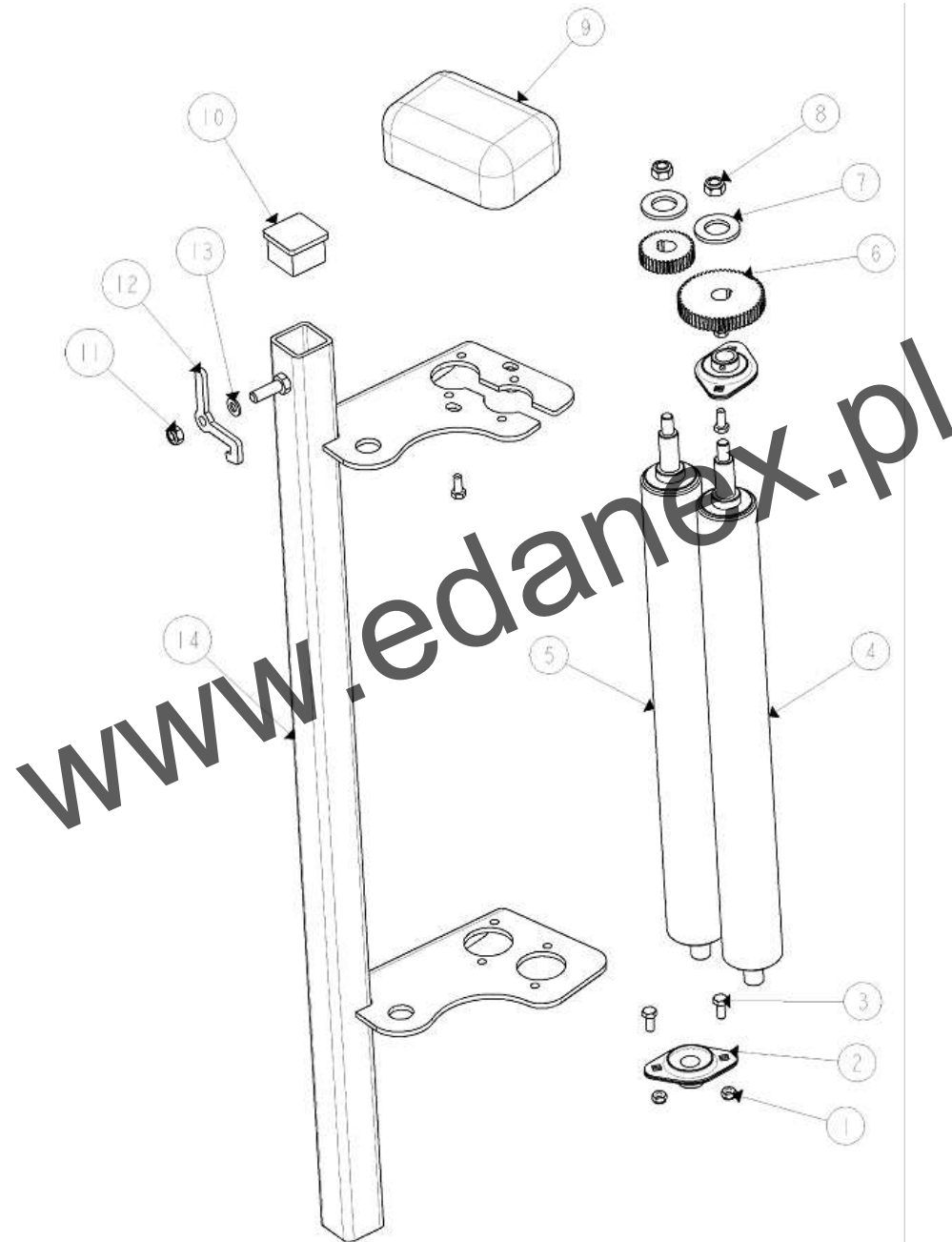


No.	Part No	Description	Qty
1	CFA00354	ROLL PIN 8 x 35 Z/P	1
2	CMH00291	12 TOOTH 1/2" PITCH DOUBLE SPROCKET	1
3	CMH00333	GEAR BOX CROSS SHAFT	1
4	CFA00291	M10 x 20 SETSCREW	2
5	CZB02036	1.5mm SPACER	1
6	CBR00034	SNP25 LEGLESS PILLOW BLOCK BEARING	1
7	CFA00011	ROLL PIN 8 x 60	1
8	CMH00090	COLLAR	1
9	ACH00031	KIT BEVEL GEARS	1
10	CFA00336	M5 x 30 CSK SETSCREW	1
11	CFA00337	M5 FLAT Z/P WASHER	1
12	CEL00017	MAGNET	1
13	CBR00004	FLANGE BEARING	5
14	CFA00052	M8 x 20 Z/P SETSCREW	12
15	CFA00132	M8 NYLOC NUT	10
16	CFA00147	M8 FLAT WASHER	6
17	CBC00018	BLANKING CAP	1
18	CZD00166	ADJUSTABLE CAM	2
19	CBC00002	HANDWHEEL	2
20	CFA00321	M5 NYLOC NUT	1
21	ART00007	TABLE CHAIN GUARD	1
22	ART00002	995 LM TABLE	1

No.	Part No	Description	Qty
-----	---------	-------------	-----

www.edanex.pl

Dispenser (280)

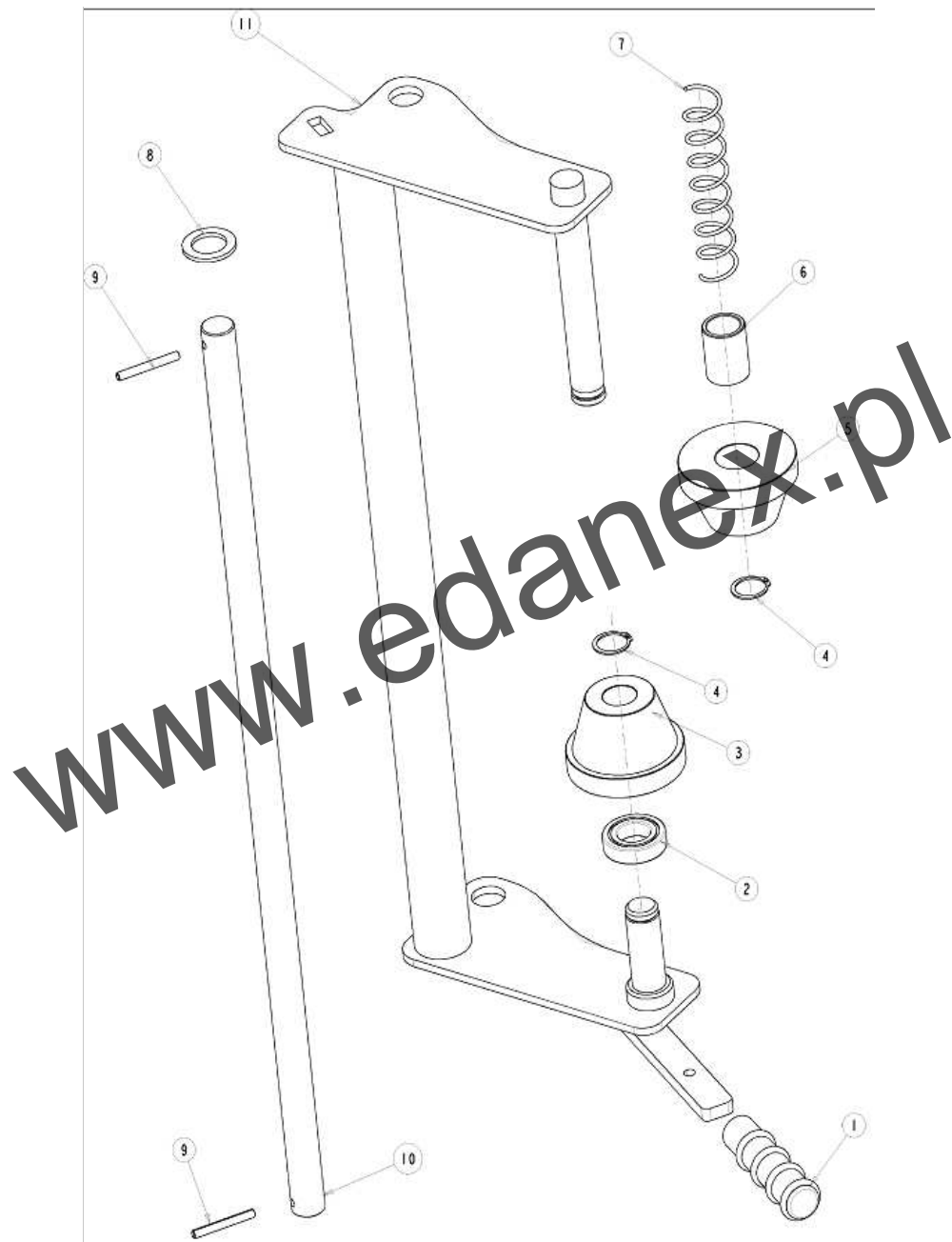


No.	Part No	Description	Qty
1	CFA00132	M8 NYLOC NUT	8
2	CBR00004	FLANGE BEARING	4
3	CFA00052	M8 x 20 Z/P SETSCREW	10
4	CMH00336	DISPENSER ROLLER PRIMARY	1
5	CMH00337	DISPENSER ROLLER SECONDARY	1
6	ADP00019	55% DISPENSER GEAR SET	1
7	CFA00139	12mm HEAVY DUTY WASHER	2
8	CFA00124	M12 NYLOC NUT	2
9	CGD00001	DISPENSER GEAR COVER	1
10	CBC00016	50 x 50 BLANKING CAP	1
11	CFA00123	M10 NYLOC NUT	1
12	CZF02164	DISPENSER LATCH	1
13	CFA00201	WASHER 10mm FLAT	1
14	ADP00024	DISPENSER POST	1
15	ADP00023	DISPENSER 995LM COMPLETE	1

No.	Part No	Description	Qty
-----	---------	-------------	-----

www.edanex.pl

Film holder (281)

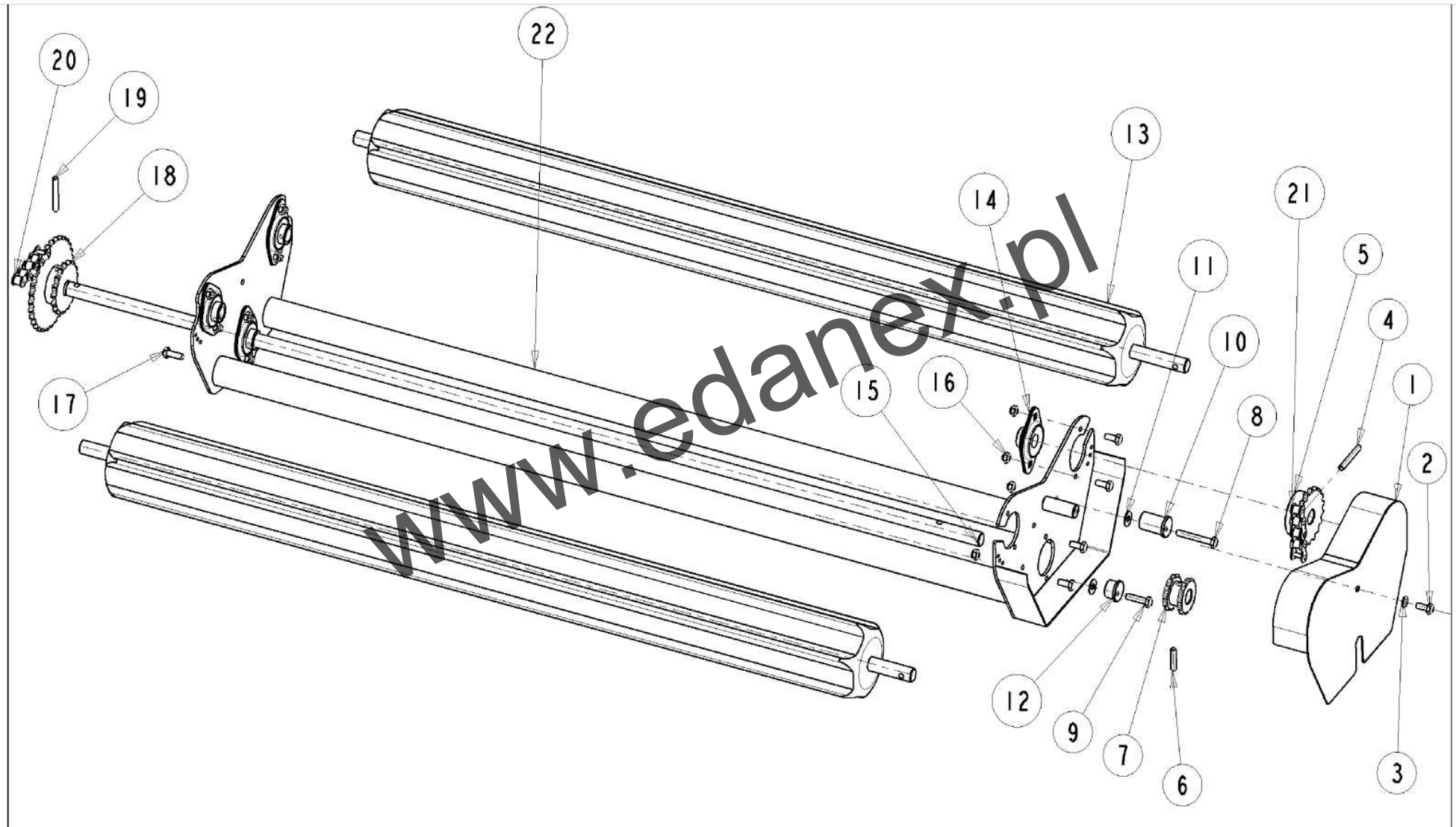


No.	Part No	Description	Qty
1	CBC00012	DISPENSER HANDLE HANDGRIP	1
2	CBR00009	62052RS BEARING	1
3	CMH00222	COIL ROLLER BOTTOM (BEARING)	1
4	CFA00001	25mm EXTERNAL CIRCLIP	2
5	CMH00223	COIL ROLLER TOP (OILITE BUSHING)	1
6	CBR00016	OILITE BUSHING	1
7	CSG00002	COIL ROLLER COMPRESSION SPRING	1
8	CFA00135	1♦ WASHER	2
9	CFA00341	ROLL PIN 6 x 60 Z/P	2
10	CMH00338	DISPENSER PIVOT PIN	1
11	ADP00008	FILM HOLDER ASSEMBLY	1

No.	Part No	Description	Qty
-----	---------	-------------	-----

www.edanex.pl

Cradle (282)

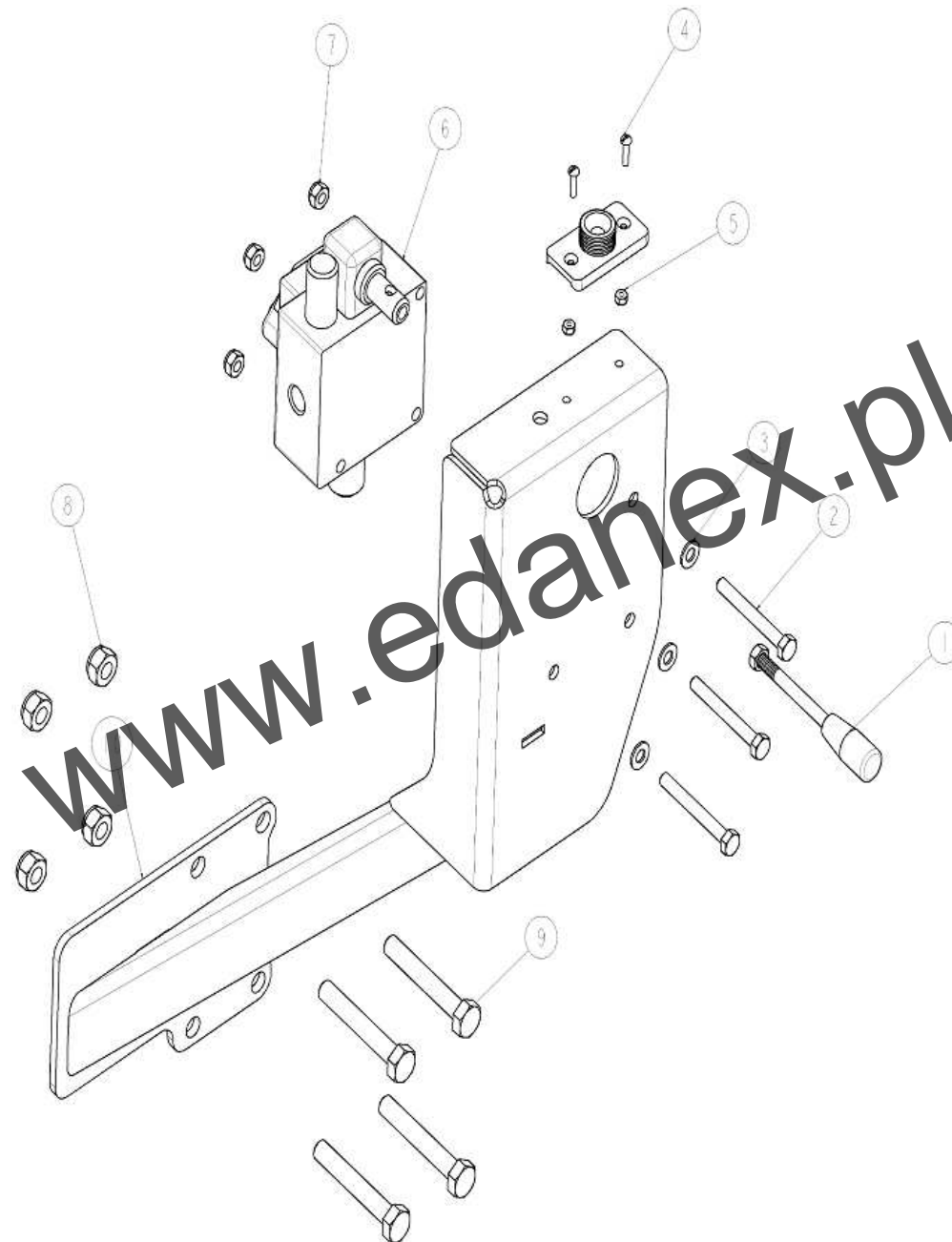


No.	Part No	Description	Qty
1	ARC00009	CRADLE GUARD	1
2	CFA00052	M8 x 20 Z/P SETSCREW	13
3	CFA00147	WASHER 8mm FLAT	2
4	CFA00334	ROLL PIN 8 x 55	2
5	CMH00083	18 TOOTH 1/2 PITCH SPROCKET	2
6	CFA00333	ROLL PIN 8 x 35	1
7	CMH00291	12 TOOTH 1/2 PITCH DOUBLE SPROCKET	1
8	CFA00340	M8 x 60 Z/P BOLT	1
9	CFA00055	M8 x 35 Z/P BOLT	1
10	CMH00026	LARGE CHAIN TENSIONER	1
11	CFA00251	10mm SKM WASHER	2
12	CMH00027	SMALL CHAIN TENSIONER	1
13	CPL00030	RIBBED PLASTIC ROLLER	2
14	CBR00004	FLANGE BEARING	6
15	CMH00121	CRADLE DRIVE SHAFT	1
16	CFA00132	M8 NYLOC NUTS	16
17	CFA00102	M8 x 25 Z/P SETSCREW	1
18	CMH00356	17-23 1/2 PITCH DOUBLE SPROCKET	2
19	CFA00335	ROLL PIN 8 x 55 Z/P	2
20	CCH00019	59 LINK 1/2 PITCH CHAIN	2
21	CCH00018	39 LINK 1/2 PITCH CHAIN	4
22	ARC00008	995 LM CRADLE	2

No.	Part No	Description	Qty
-----	---------	-------------	-----

www.edanex.pl

Valve bracket (283)



No.	Part No	Description	Qty
1	CVA06002	VALVE HANDLE	1
2	CFA00342	M8 x 70 Z/P SETSCREW	3
3	CFA00147	WASHER 8mm FLAT	3
4	CFA00343	M4 x 20 PAN HEAD Z/P SETSCREW	2
5	CFA00300	M4 NYLOC NUT	2
6	CVA00022	VALVE	1
7	CFA00132	M8 NYLOC NUT	3
8	CFA00124	M12 NYLOC NUT	4
9	CFA00330	M12 x 80 Z/P BOLT	4
10	ADP00032	VALVE BRACKET	1

No.	Part No	Description	Qty
-----	---------	-------------	-----

www.edanex.pl

Gearbox (284)

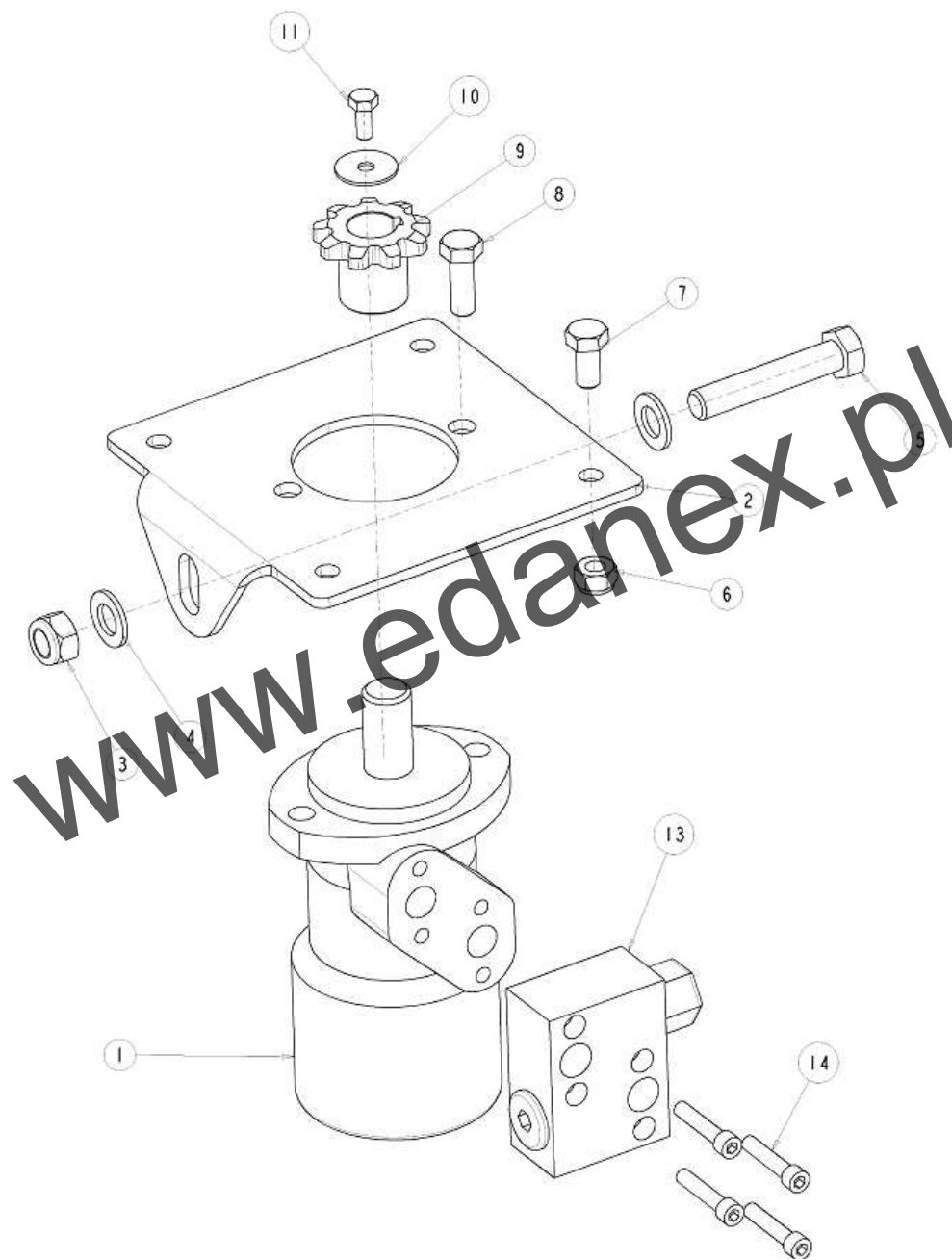


No.	Part No	Description	Qty
1	CFA00011	ROLL PIN 8 x 60 S/C	1
2	ACH00031	KIT BEVEL GEARS	1
3	CMH00339	SHIM 35 x 50 x 4	1
4	CBR00038	62082RS BEARING	1
5	ART00010	GEARBOX HOUSING	1
6	CBR00037	62092RS BEARING	1
7	ART00011	GEARBOX SHAFT	1
8	ART00001	GEARBOX COMPLETE	1

No.	Part No	Description	Qty
-----	---------	-------------	-----

www.edanex.pl

Motor (285)

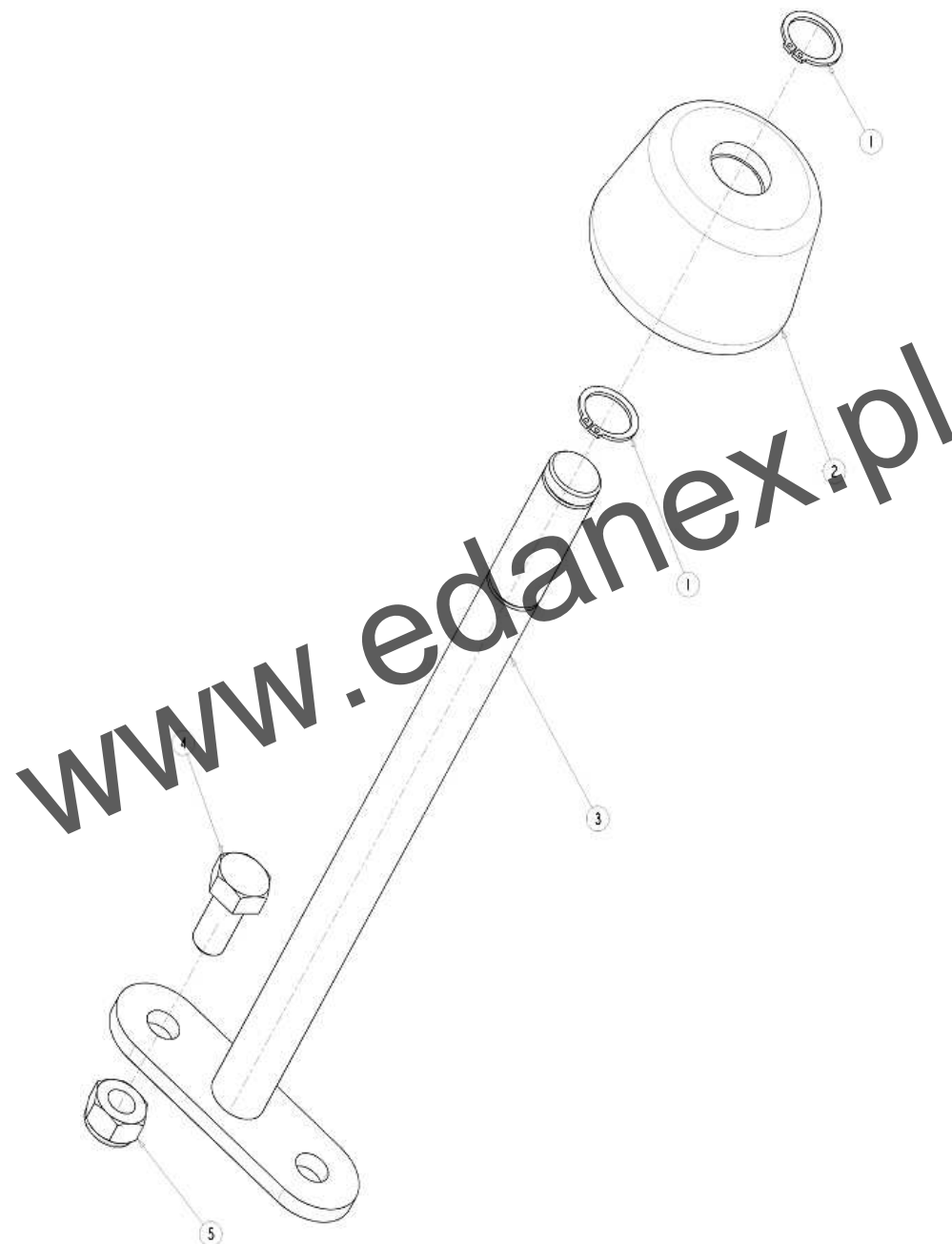


No.	Part No	Description	Qty
1	CMT00010	MOTOR	1
2	CZF02153	MOTOR PLATE	1
3	CFA00128	M16 NYLOC NUT	1
4	CFA00140	WASHER 16mm FLAT	2
5	CFA00332	M16 x 85 Z/P BOLT	1
6	CFA00124	M12 NYLOC NUT	6
7	CFA00031	M12 x 25 Z/P SETSCREW	4
8	CFA00033	M12 x 35 Z/P SETSCREW	2
9	CMH00335	9 TOOTH 3/4 PITCH SPROCKET	1
10	CFA00149	MUDWING WASHER 8 x 32	1
11	CFA00359	KEY 8 x 7 x 30	1
12	CFA00052	M8 x 20 Z/P SETSCREW	1
13	CVA00074	VALVE RELIEF C/L OMP 50 BAR	1
14	CFA00362	SETSCREW M8X40 CSK HEX SS	4

No.	Part No	Description	Qty
-----	---------	-------------	-----

www.edanex.pl

Bobbin (286)



No.	Part No	Description	Qty
1	CFA00339	20mm EXTERNAL CIRCLIP	2
2	CPL00031	BOBBIN	1
3	ART00009	BOBBIN AXLE	1
4	CFA00031	M12 x 25 Z/P SETSCREW	2
5	CFA00124	M12 NYLOC NUT	2

No.	Part No	Description	Qty
-----	---------	-------------	-----

www.edanex.pl

Hydraulic & Electrical (566)



No. Part No	Description	Qty	No. Part No	Description	Qty
CVA 03007 0300 7	VALVE RESTRICTOR 3/8	0			
CEL 00174 0017 4	CTRL WIZARD TRAILED	0			
CSG 00015 0001 5	SPRING TORSION DISPENSER 995LM	0			
CSG 00014 0001 4	SPRING EXT 4.06X30X129X14	0			
CVA 00075 0007 5	VALVE CTL 1BANK ELC KO 995LM	0			
CEL 00229 0022 9	LOOM WIZARD 995LM	0			
CEL 00004 0000 4	SENSOR CABLE 3.6M	0			
CEL 00017 0001 7	MAGNET BLUE WHEEL	0			

www.edanex.pl