

McHale ENGINEERING LTD.



QUALITY

I.S. EN ISO 9001:2008

NSAI Certified



991L

Spare Parts Book

McHale Engineering Limited,
Castlebar Rd, Ballinrobe,
Co. Mayo, Ireland.
Tel: +353 94 9520300
Fax: +353 94 9520356
Email: sales@mchale.net
Website: www.mchale.net

www.edanex.pl

This page is intentionally left blank

Introduction

The **McHale 991L** which you have purchased has been developed through years of constant research and development. Given proper care and attention the **991L** will give years of reliable and dependable performance. However it is important that the operators manual is read and fully understood to achieve this, **before** the machine is operated. As part of this philosophy it is vital to use only **genuine McHale** replacement parts, as these are manufactured to the same high standard as the original machine. These may be obtained through your **McHale** dealer.

If any part of this manual is not fully understood, please contact your **McHale** dealer who will be able to answer any questions or queries that you might have. It is important to quote the machine serial number when requiring spare parts or technical assistance. Space is provided below to record the machine details:

Serial number:	
Year of manufacture:	
Date of delivery:	

If you require further copies of this spare parts manual please
quote part number

Note: Parts described as left and right are done so according to the direction that the machine normally travels in.

Note: Due to a policy of continuous product development and improvement *McHale Engineering Ltd* reserve the right to alter machine specifications without prior notice.

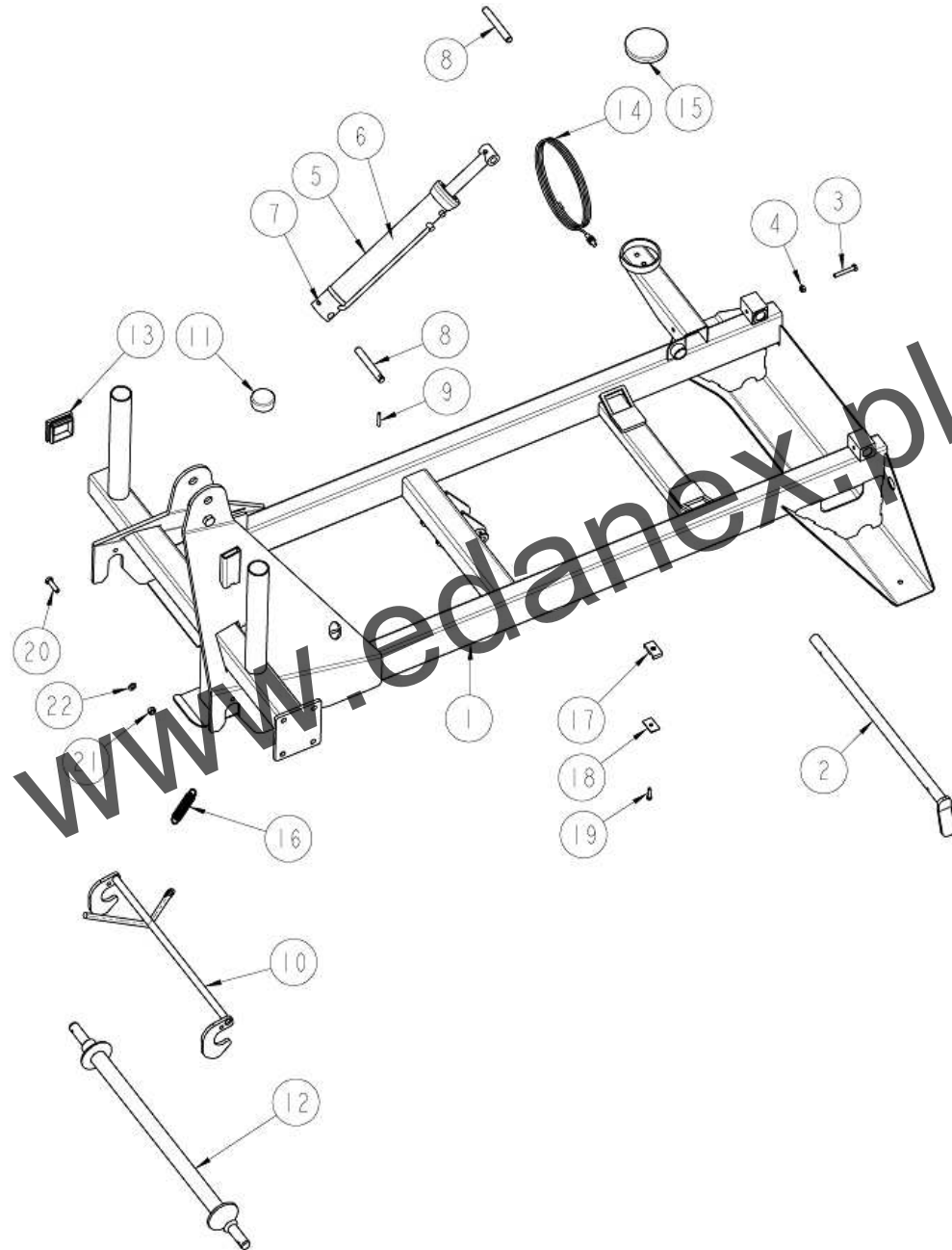
Contents

Section	Document No	Section	Document No
Chassis			
Main chassis (287)	SPD00287		
Sub chassis (288)	SPD00288		
Rotary table (235)	SPD00235		
Gearbox (236)	SPD00236		
Dispenser post (291)	SPD00291		
Dispenser (239)	SPD00239		
Cut & Hold (240)	SPD00240		
500mm conversion kit (244)	SPD00244		
Dispenser gears (262)	SPD00262		
Hydraulic & Electrical			
991LB Hydraulic assembly (295)	SPD00295		
991LB Hydraulic control valve (296)	SPD00296		
991LB Hydraulic components (297)	SPD00297		
991LB Electrical components (298)	SPD00298		
991LBER Hydraulic assembly (299)	SPD00299		
Hydraulic control valve (300)	SPD00300		
991LBER Hydraulic components (301)	SPD00301		
991LBER Electrical components (302)	SPD00302		
Remote control options (263)	SPD00263		

www.edanex.pl

This page is intentionally left blank

Main chassis (287)

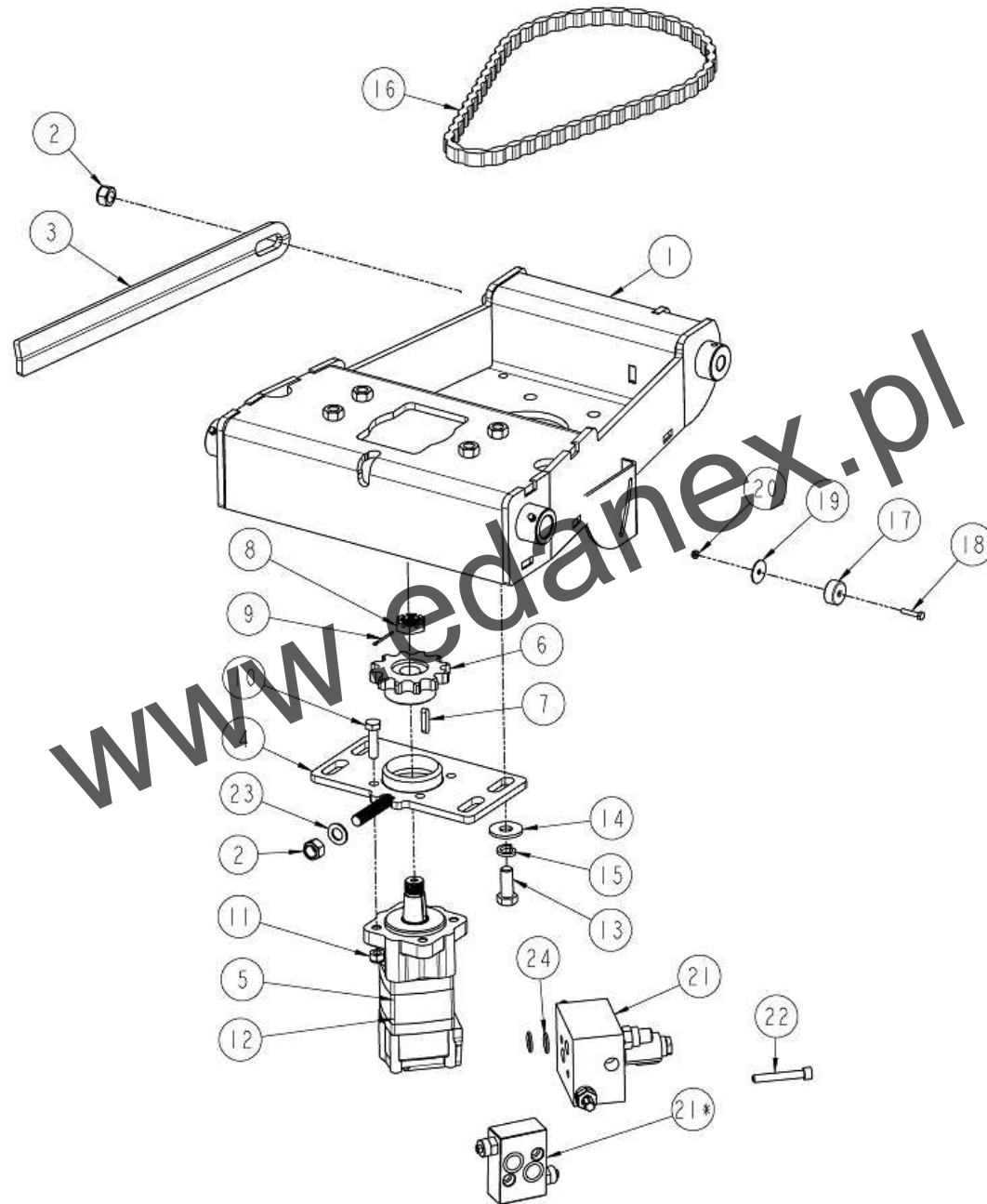


No.	Part No	Description	Qty
1	ACH00011	MAIN CHASSIS 991L	1
2	CMH00078	P1N30X740&2XIIMMCH	1
3	CFA00028	BOLTMIOX65ZIP	2
4	CFA00123	NUT MI 0 NYLOC	2
5	CRA00039	RAM TIP TABLE LINKAGE BW	1
6	CSE00039	SEAL KIT TABLE TIP LINKAGE	1
7	CFA00118	GREASE NIPPLE M8XI.25 STRAIGHT	2
8	CMH00068	PIN I9XI4O&8MM ZIP	2
9	CFA00010	ROLL PIN 8X50 ZIP	2
10	ACH00003	QUICK FIT LATCH BRACKET	1
11	CBC00007	CAP BLACK PLASTIC 2.3/8" OSF	2
12	ACH00224	BAR QUICK FIT CAT 2 (STD)	1
13	CBC00003	CAP PLAS INSERT SQ 80X80	1
14	CEL00036	SENSORCABLE5M	2
15	CBC00019	CAP PLAS FERRULE GREY 4 1/2"	1
16	CSG00011	SPRING EXT 3.66X28.5X135X25	1
17	CFA00370	HOSE CLAMP 18MM (2 PER SET)	5
18	CFA00183	HOSE CLAMP COVER PLATE 14MM	5
19	CFA00055	BOLTM8X35ZIP	5
20	CFA00079	BOLT M12X45	2
21	CFA00124	NUT M12 NYLOC	2
22	CFA00138	WASHER FLAT 12MM Z/P	2

No.	Part No	Description	Qty
-----	---------	-------------	-----

www.edanex.pl

Sub chassis (288)



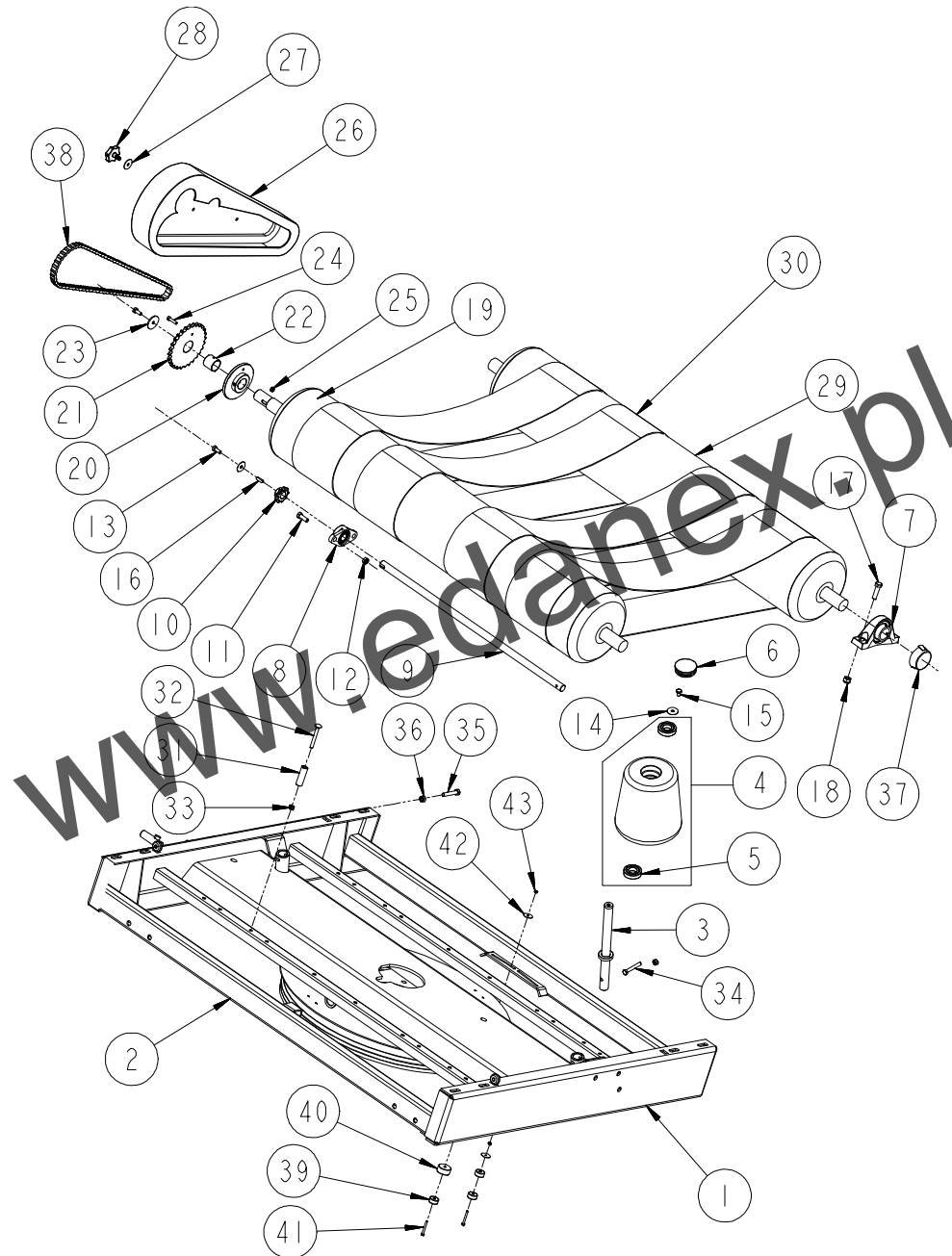
No.	Part No	Description	Qty
1	ACH00013	LINKAGE SUBCHASSIS	1
2	CFA00128	NUT M16 NYLOC	4
3	CZH00228	10MM L LINKAGE SAFETY BAR	1
4	ACH00014	MOTOR ADJUSTING PLATE LINKAGE	1
5	CMT00002	MOTOR 250CC 4BOLT 1 1/4" TAPER	1
6	CMH00061	SPROCKET 1" PITCH 12T TAPERED	1
7	CFA00157	KEY 8 X 7 X 35	1
8	CMT00015	NUT CASTLE ALL MOTOR SHAFTS	1
9	CFA00021	SPLIT PIN 4X50 Z/P	1
10	CFA00079	BOLT M12X45	4
11	CFA00124	NUT M12 NYLOC	4
12	CSE00081	SEAL KIT CHARLYNN COMPLETE	1
13	CFA00151	SETSCREW M16X40 Z/P	4
14	CZD00192	4MM L TRAILED SPACER	4
15	CFA00141	WASHER SPRING M16 HEAVY DUTY	4
16	CCH00003	CHAIN KIT 16B 1" PITCH 47LINKS	1
17	CEL00017	MAGNET BLUE WHEEL	1
18	CFA00047	SETSCREW M6X30 Z/P	1
19	CFA00145	WASHER MUDWING M6 32MM OD	1
20	CFA00131	NUT M6 NYLOC	1
21	CVA03000	VALVE BLOCK SLOW SPEED DANFOSS	1
22	CFA00029	BOLT M10X70 SOC CAP Z/P	2
23	CFA00140	WASHER FLAT 16MM Z/P	1
24	CSE00009	SEAL O RING 27ODX2.6 SECT 70S	2
21	CVA00011	VALVE RELIEF CL OMS100&130BAR	1
22	ACH00021	MOTOR COMPLETE ROUND LINKAGE	1

CONTAINS ITEMS [4,5,6,7,8,9]X1 [10,11]X4

No.	Part No	Description	Qty
-----	---------	-------------	-----

www.edanex.pl

Rotary table (235)

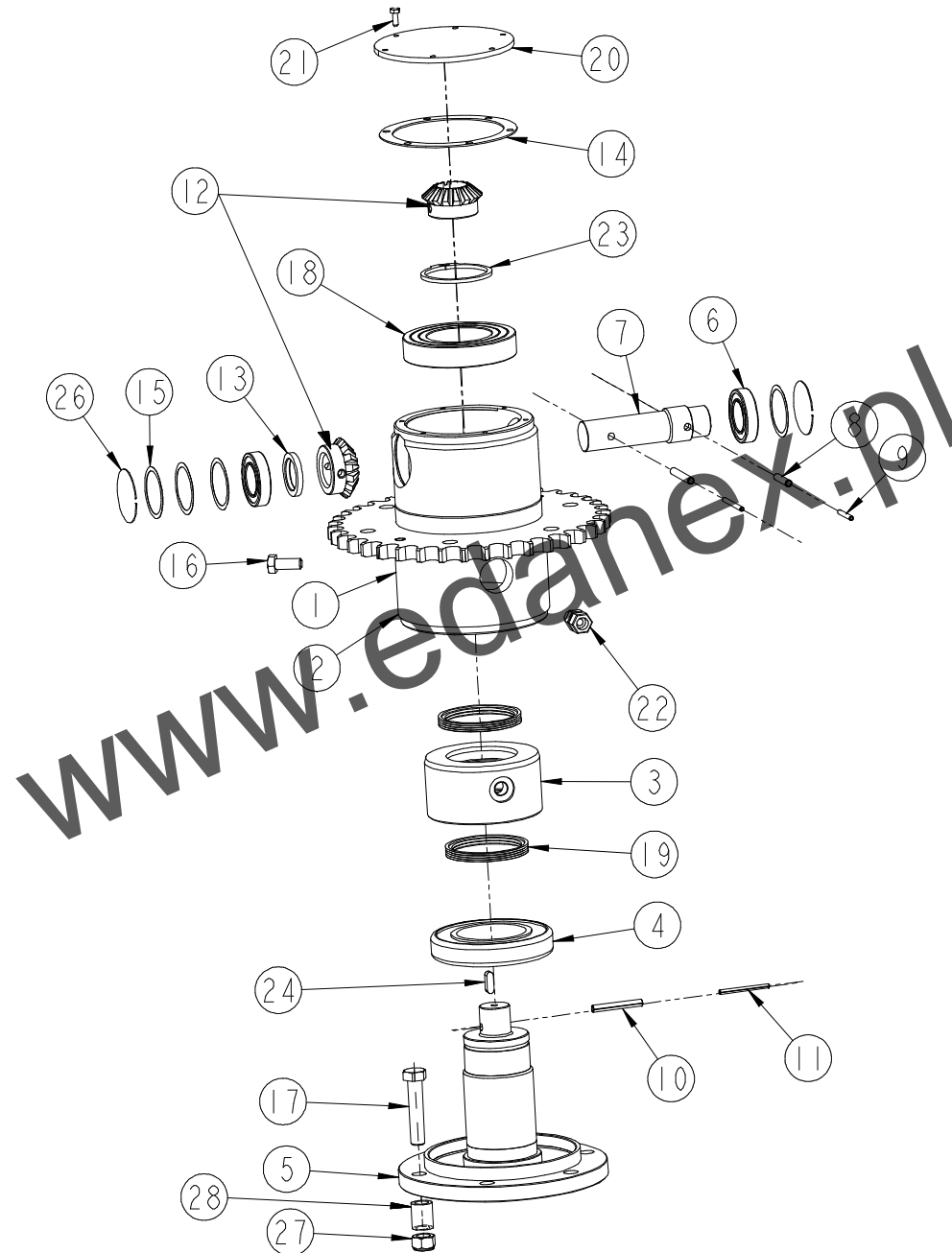


No.	Part No	Description	Qty
1	ART00054	991 TABLE COMPLETE ASSY.	1
2	ART00099	TABLEWELDASSY	1
3	ART00005	BOBBIN AXLE SHAFT	2
4	CPL00008	BOBBIN ASSEMBLY	2
5	CBR00024	BEARING 62062R5	2
6	CBC00008	CAP PLASTIC INSERT 75MM	1
7	CBR00005	BEARING PILBLK I 3/4 350 NP28	4
8	CBR00006	BEARING FLANGE 25MM 2BOLT	1
9	CMH00021	SHAFT 25X900 991	1
<i>REPLACES CMH01244 [WHICH IS IDENTICAL BUT NO LONGER AVAILABLE]</i>			
10	CMH00059	SPROCKET 3/4 PITCH 9T	1
11	CFA00033	SETSCREW M I 2X35 ZIP	2
12	CFA00124	NUT M12 NYLOC	2
13	CFA00024	SETSCREW M10X25 ZIP	2
14	CFA00134	WASHER MUDWING MIOX38MM OD	3
15	CFA00022	SETSCREW MI OXI 6 Z/P	2
16	CFA00359	KEY 8X7X30	1
17	CFA00038	BOLTMI4X50	8
18	CFA00126	NUT MI4 NYLOC	8
19	ART00004	TABLE DRIVING ROLLER	1
20	CMH00029	SHEAR BOLT FLANGE	1
21	CMH00060	SPROCKET 3/4 PITCH 28T	1
22	CBR00018	BEARING GLACIER PM 4040	1
23	CZD00121	4MM L CUT & TIE SPACER Z/P	1
24	CFA00055	BOLT M8X35 Z/P	1
25	CFA00132	NUT M8 NYLOC Z/P	1
26	CGD00003	GUARD CHAIN TABLE 991	1
27	CFA00149	WASHERMUDWINGM838MMOD	2
28	CBC00002	HAND WHEEL M8X20	2
29	ART00003	TABLE IDLE ROLLER	1
30	CBE00010	BELT SINGLE 96	4
30	CBE00003	BELT SET (CBE00010)X4	1
31	CMH00001	BUSH I2X22X70	16
32	CFA00546	BOLT MI 0X85 CUP HEAD SQ Z/P	16
33	CFA00123	NUT MI 0 NYLOC	18
34	CFA00383	BOLT M I 0X70 Z/P	2
35	CFA00036	SETSCREW MI 2X70 Z/P	2
36	CFA00014	NUTMI2	2
37	CBR00008	END CAP FOR 350 NP28	3
<i>FOR RHP TYPE BEARING BLOCKS</i>			
37	CBR00276	END CAP FOR UCPL20928	3

No.	Part No	Description	Qty
38	CCH00006	CHAIN KIT I2B 3/4 PITCH79LINK	1
39	CEL00017	MAGNET BLUE WHEEL	4
40	CMH00224	MAGNETSPACER	1
41	CFA00049	SETSCREW M6X50 Z/P	2
42	CFA00145	WASHERMUDWINGM632MMOD	2
43	CFA00131	NUT M6 NYLOC	2

www.edanex.pl

Gearbox (236)

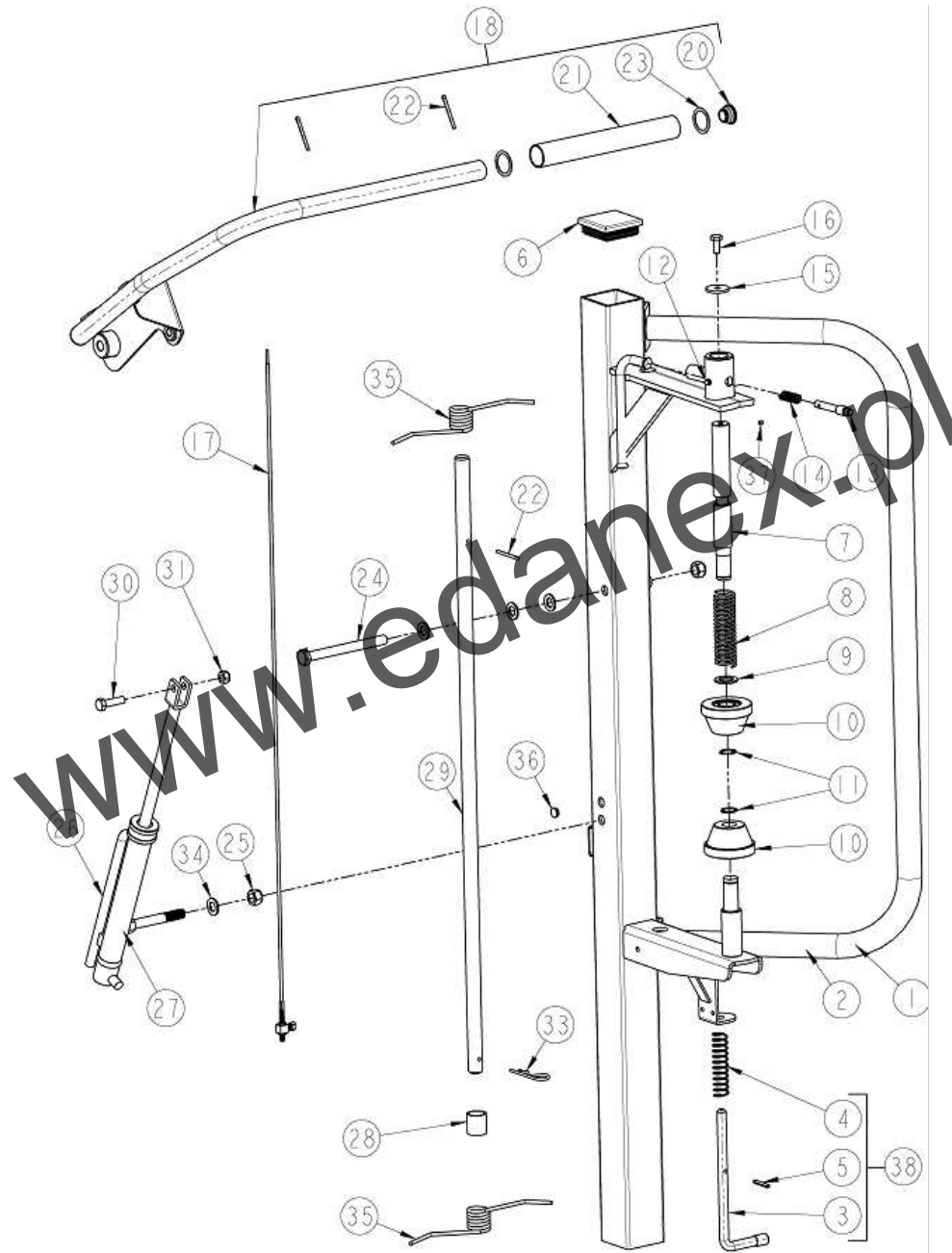


No.	Part No	Description	Qty
1	ACH00015	GEARBOXROUNDNEW	1
2	ACH00034	GEARBOX HOUSING ASSEMBLY	1
3	CMH00032	SEAL BLOCK WRAPPER GEARBOX	1
4	CBR00003	BEARING62I62RS	1
5	CMH00182	SHAFT 80X220 & KEYWAY	1
6	CBR00001	BEARING 6007 2R5	2
7	CMH00213	SHAFT 35X150 STEPPED	1
8	CFA00009	ROLL PIN 8X40	1
9	CFA00006	ROLL PIN 5X40	1
10	CFA00011	ROLLPIN8X60	2
11	CFA00007	ROLLPIN5X60	2
12	ACH00031	KIT BEVEL GEARS	1
<i>KIT ALSO INCLUDES ITEMS [10,11] X2 [24] X1</i>			
13	CMH00064	SHIMGEARBOX	1
14	CSE00006	GASKETI28XI58&6X8MMC.HOLES	1
15	CFA00213	SHIM5OX62XO.3	4
16	CFA00032	SETSCREWMI2X3OZ/P	2
17	CFA00794	BOLTM16X90	6
18	CBR00002	BEARING62I52RS	1
19	CSE00001	SEAL GEARBOX 991	2
20	CZF00169	6MMLGEARBOXPLATE	1
21	CFA00045	SETSCREWM6X16	6
22	CHY02001	ADAPTOR 3/8 BSP M/F	1
23	CFA00704	CIRCLIP75MMEXTERNALHEAVY	1
24	CFA00154	KEY8X7X25	1
26	CFA00002	CIRCLIP 62MM INTERNAL	2
27	CFA00128	NUTMI6NYLOC	6
28	CMH01028	BUSH	6
29	ACH00029	KIT GEARBOX REPAIR	1
<i>NOT SHOWN. KIT INCLUDES ITEMS [4,5,8,9,14,23,24]X1 [10,11,19,26]X2 [XLU00014 GREASE]X1.</i>			

No.	Part No	Description	Qty
-----	---------	-------------	-----

www.edanex.pl

Dispenser post (291)

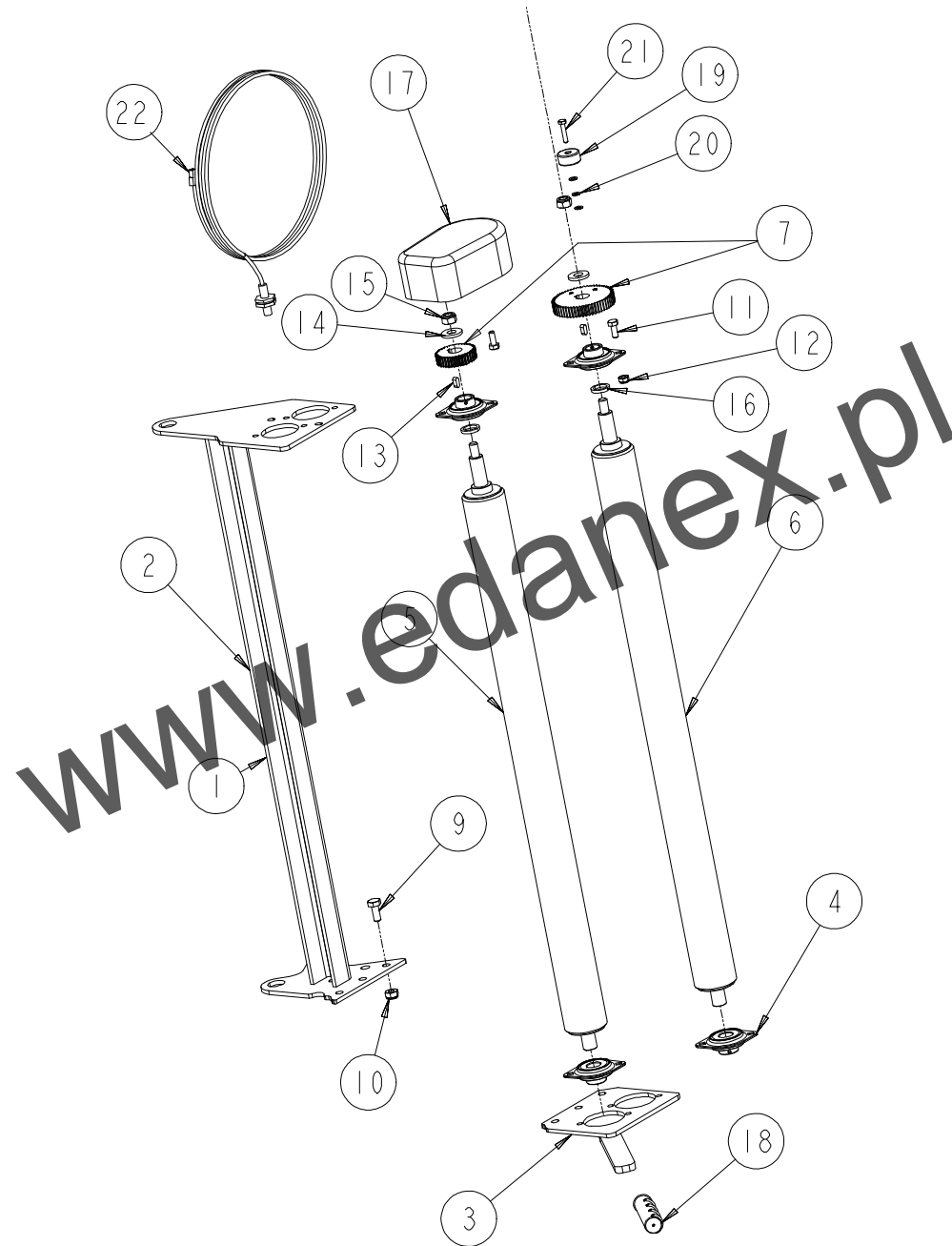


No.	Part No	Description	Qty
1	ADP00111	DISPENSER LINKAGE COMP ASY	1
2	ADP00048	DISPENSER POST WELD ASY.	1
3	N/A	SEE ITEM 38	0
4	CSG00039	SPRING COMP 2.15X 21X 125X 14	1
5	CFA00073	ROLL PIN 6X40	1
6	CBC00003	CAP PLAS INSERT SQ 80X80	1
7	CMH00195	PIN 30X280 STEPPED Z/P	1
8	CSG00009	SPRING COMP 2.95X37X197X12	1
9	CZC00112	3MM L DISPENSER SPACER	1
10	ADP00009	COIL ROLLER + BEARING DIS POST	2
11	CFA00001	CIRCLIP 25MM EXTERNAL Z/P	2
12	CFA00118	GREASE NIPPLE M8X1.25 STRAIGHT	1
13	CMH00197	PIN 16X84 STEPPED Z/P	1
14	CSG00010	SPRING COMP 1.625X16X40X8	1
15	CZD00118	4MM L CUT& TIE SPACER	1
16	CFA00024	SETSCREW M10X25 Z/P	1
17	CFA00206	CABLE ROLLER RELEASE DISP/POST	1
18	ADP00006	PULL DOWN ARM LINKAGE	1
19	CFA00118	GREASE NIPPLE M8X1.25 STRAIGHT	1
20	CBC00010	CAP PLAS INSERT 1"	2
21	CPL00026	1 1/4" PIPE 40ODX35ID	1
22	CFA00013	SPLIT PIN 5X50 Z/P	2
23	CFA00512	SHIM 35X45X1.0 Z/P	2
24	CFA00061	BOLT M16X170 Z/P	1
25	CFA00128	NUT M16 NYLOC	2
26	CRA00035	RAM PULL DOWN ARM LINKAGE	1
27	CSE00035	SEAL KIT PULL DOWN ARM LINKAGE	1
28	CXT00104	TUBE 33.7X3X35	1
29	ADP00005	DISPENSER POST SHAFT	1
30	CFA00079	BOLT M12X45	1
31	CFA00124	NUT M12 NYLOC	1
32	CFA00013	SPLIT PIN 5X50 Z/P	1
33	CFA00004	R-CLIP 4MM	1
34	CFA00140	WASHER FLAT 16MM Z/P	4
35	CSG00003	SPRING KIT [2 PER KIT]	1
36	CBC00014	PLUG BODY 16 X .08/2 MM	2
37	CFA00208	GRUBSCREW M6X6 Z/P	1
38	ADP00114	LATCH KIT FILM HOLDER	1

No.	Part No	Description	Qty
-----	---------	-------------	-----

www.edanex.pl

Dispenser (239)

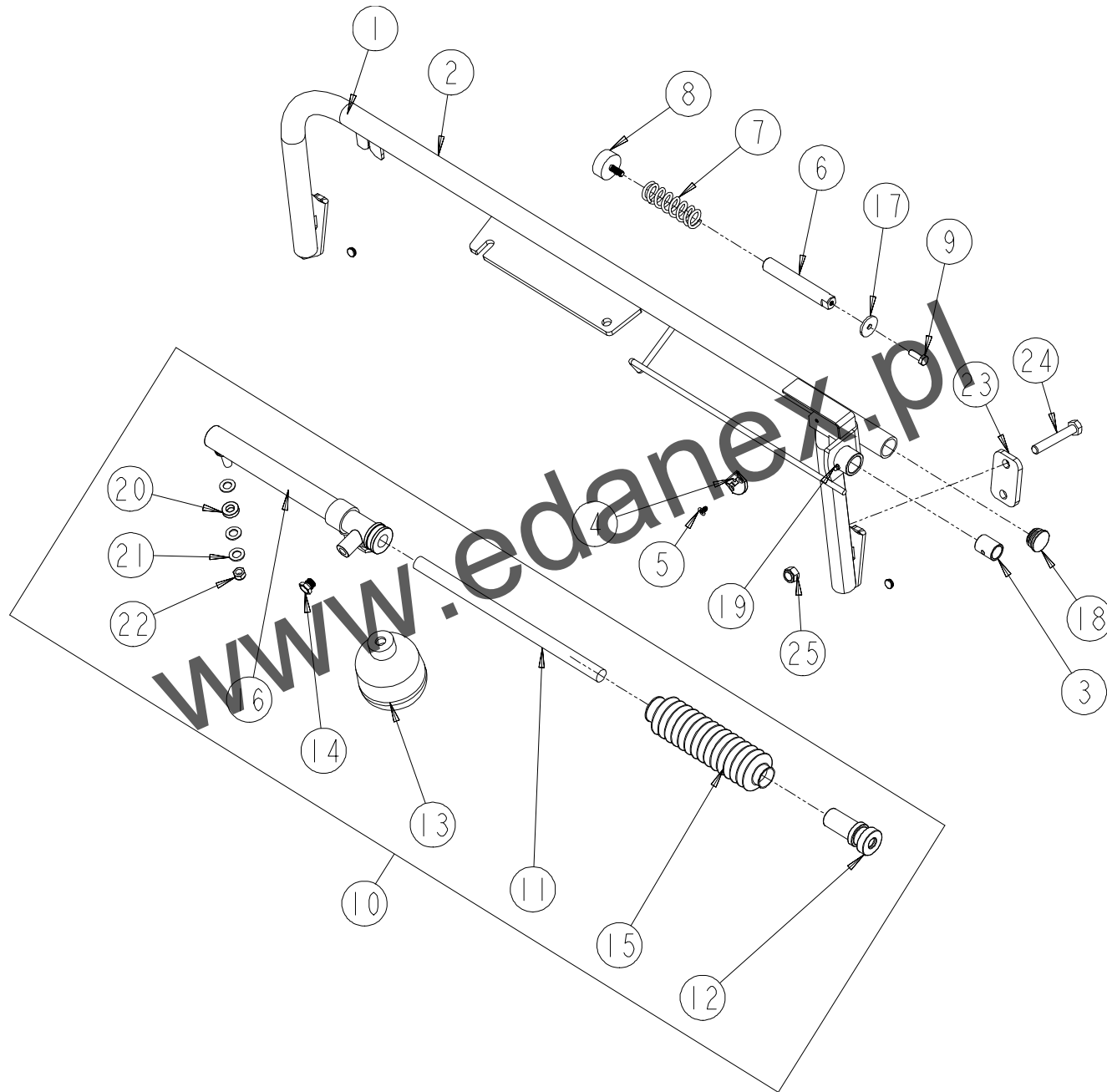


No.	Part No	Description	Qty
1	ADP00015	FILM DISPENSER ASSEMBLY 750MM	1
2	ADP00010	DISPENSER FRAME WELD ASY.	1
3	ADP00004	DISPENSER BOTTOM PLATE	1
4	CBR00004	BEARING 20MM 2BOLT P/S FLANGE	4
5	CMH00034	ROLLER DISPENSER PRIMARY ALU	1
6	CMH00035	ROLLER DISPENSER SECONDARY ALU	1
7	ADP00018	KIT DISPENSER GEARS 70%	1
		70% STANDARD	
7	ADP00019	KIT DISPENSER GEARS 55%	1
		55%	
7	ADP00085	KIT DISPENSER GEARS 32%	1
		32%	
9	CFA00024	SETSCREW M10X25 ZIP	3
10	CFA00123	NUT M10 NYLOC	3
11	CFA00052	SETSCREW M8X20 ZIP	10
12	CFA00132	NUT M8 NYLOC ZIP	8
13	CFA00153	KEY 6X6X1 5	2
14	CFA00139	WASHER FLAT 12MM H/D Z/P	2
15	CFA00124	NUT M12 NYLOC	2
16	CZD00114	4MM L DISPENSER SPACER	2
17	CGD00001	GUARD DISPENSER GEARS	1
18	CBC00012	CAP PLASTIC HANDGRIP 7/8	1
19	CEL00017	MAGNETBLUEWHEEL	1
20	CFA00144	WASHERFLAT6MMZIP	3
21	CFA00047	SETSCREW M6X30 Z/P	1
22	CEL00036	SENSORCABLE5M	1

No.	Part No	Description	Qty
-----	---------	-------------	-----

www.edanex.pl

Cut & Hold (240)

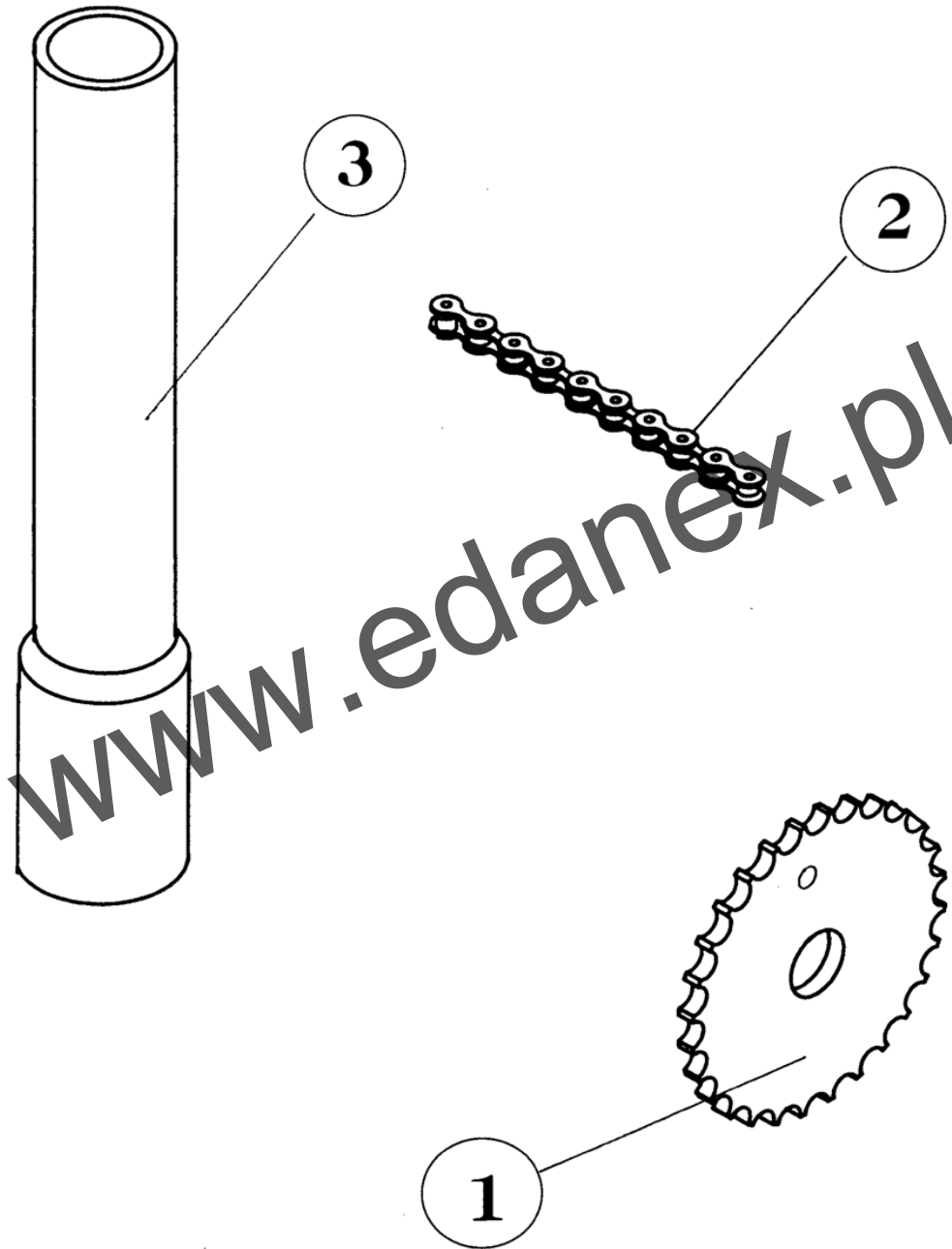


No.	Part No	Description	Qty
1	ACT00006	CUT&HOLD 991 FULL ASSEMBLY	1
2	ACT00005	CUT&HOLDFRAME991	1
3	CBR00016	BEARINGOLITE25X32X40	1
4	CKN00001	KNIFE CUT& HOLD ASY	1
4	ACT00061	KNIFE CUT& HOLD KIT ASY	1
5	CFA00044	BOLTM6XI2CSK	2
6	CMH00023	PIN 25X159 C.PLUNGER C&T	1
7	CSG00004	SPRING COMP 4.88 X 36 X 150 X 10.250	1
8	CBE00002	BUFFER RUBBER 50X21 M10X28	1
9	CFA00025	SETSCREWM10X30	1
10	CRA00021	RAMCUT&HOLD32X20991B	1
11	CRA00107	RAM ROD CUT&HOLD 991	1
12	CRA40021	RAM ROD END CUT&HOLD	1
13	CVA03010	ACCUMULATOR 0.7 LITRE 30 BAR	1
14	CHY02004	PLUG 3/8 BSP MALE	1
15	CBE00006	GAITOR CUT&HOLD RUBBER	1
16	CSE00021	SEALKITCUT&HOLD	1
17	CZD00118	4MMLCUT&TIESPACER	1
18	CBC00005	CAPPLASTICINSERT42.4MMRND	1
19	CFA00118	GREASE NIPPLE M8XI.25 STRAIGHT	1
20	CMH00093	BUSH 14X30X8	1
21	CFA00222	WASHERFLAT 4MMZ/P	4
22	CFA00126	NUT M14 NYLOC	2
23	CZH00135	10MM L CUT & TIE	2
24	CFA00040	BOLT M16X100 ZIP	4
25	CFA00128	NUT M16 NYLOC	4

No.	Part No	Description	Qty
-----	---------	-------------	-----

www.edanex.pl

500mm conversion kit (244)

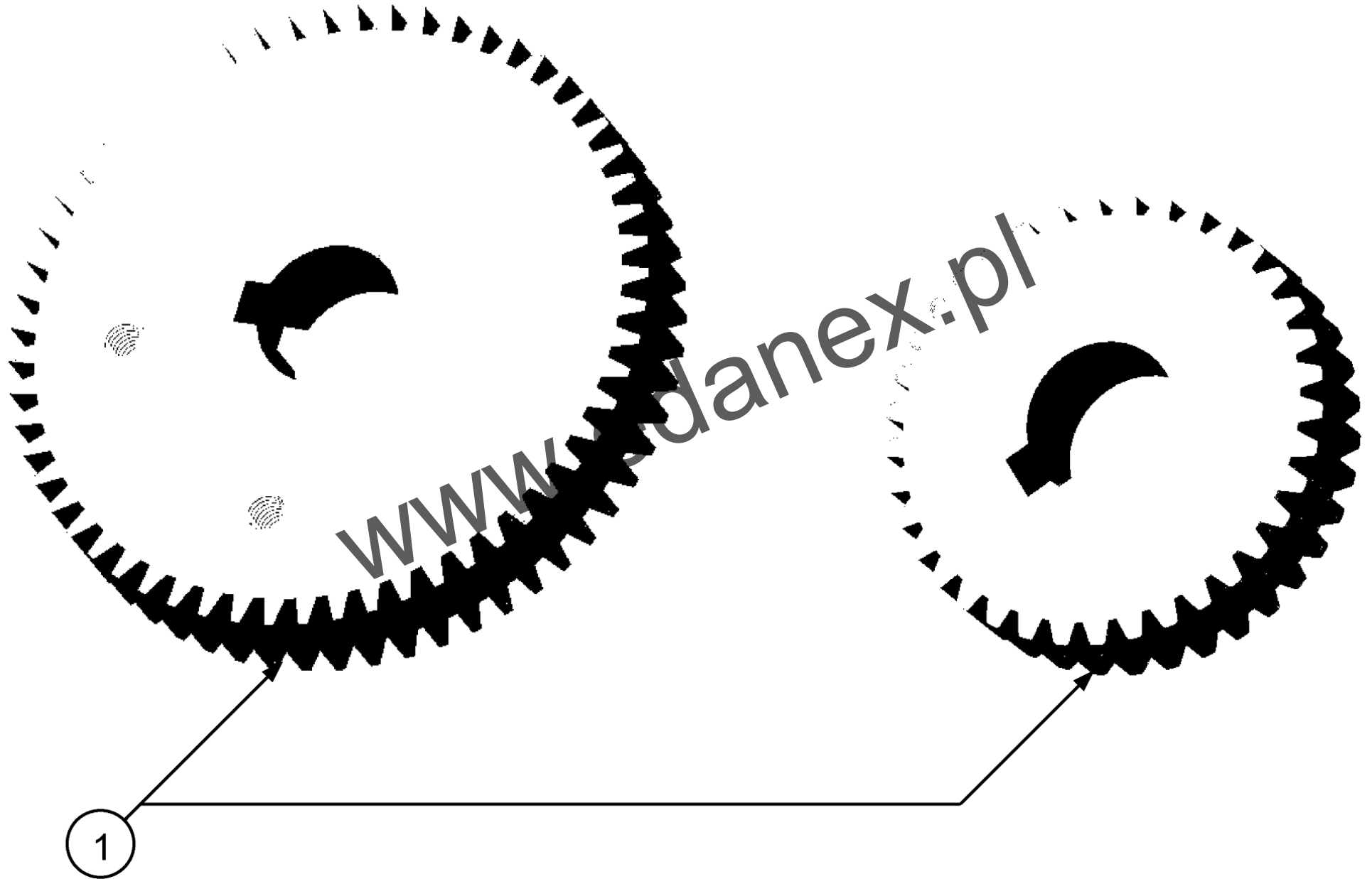


No.	Part No	Description	Qty
0	ADP00022	500mm CONVERSION KIT	1
1	CMH00058	SPROCKET 45 TOOTH	1
2	CCH00001	CHAIN EXT. PIECE 12B 34 Pitch 9 Link	1
3	CPL00006	PLASTIC PIPE	1

No.	Part No	Description	Qty
-----	---------	-------------	-----

www.edanex.pl

Dispenser gears (262)

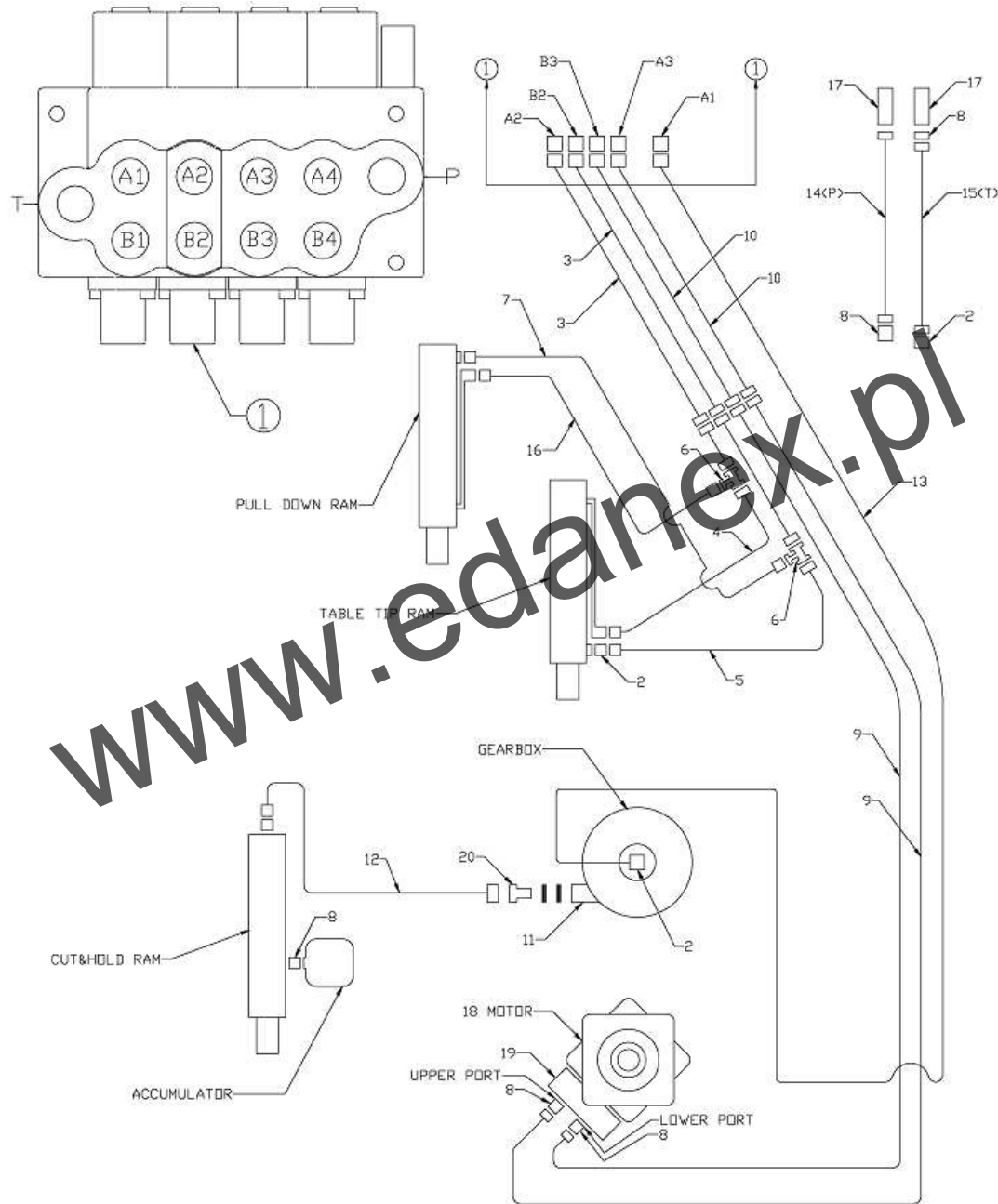


No.	Part No	Description	Qty
1	ADP00018	KIT DISPENSER GEARS 70% <i>70% GEAR OPTION: STANDARD</i>	1
1	ADP00019	KIT DISPENSER GEARS 55% <i>55% GEAR OPTION (HOT CLIMATES)</i>	1
1	ADP00085	KIT DISPENSER GEARS 32% <i>32% ENDURO PLASTIC OPTION</i>	1

No.	Part No	Description	Qty
-----	---------	-------------	-----

www.edanex.pl

991LB Hydraulic assembly (295)

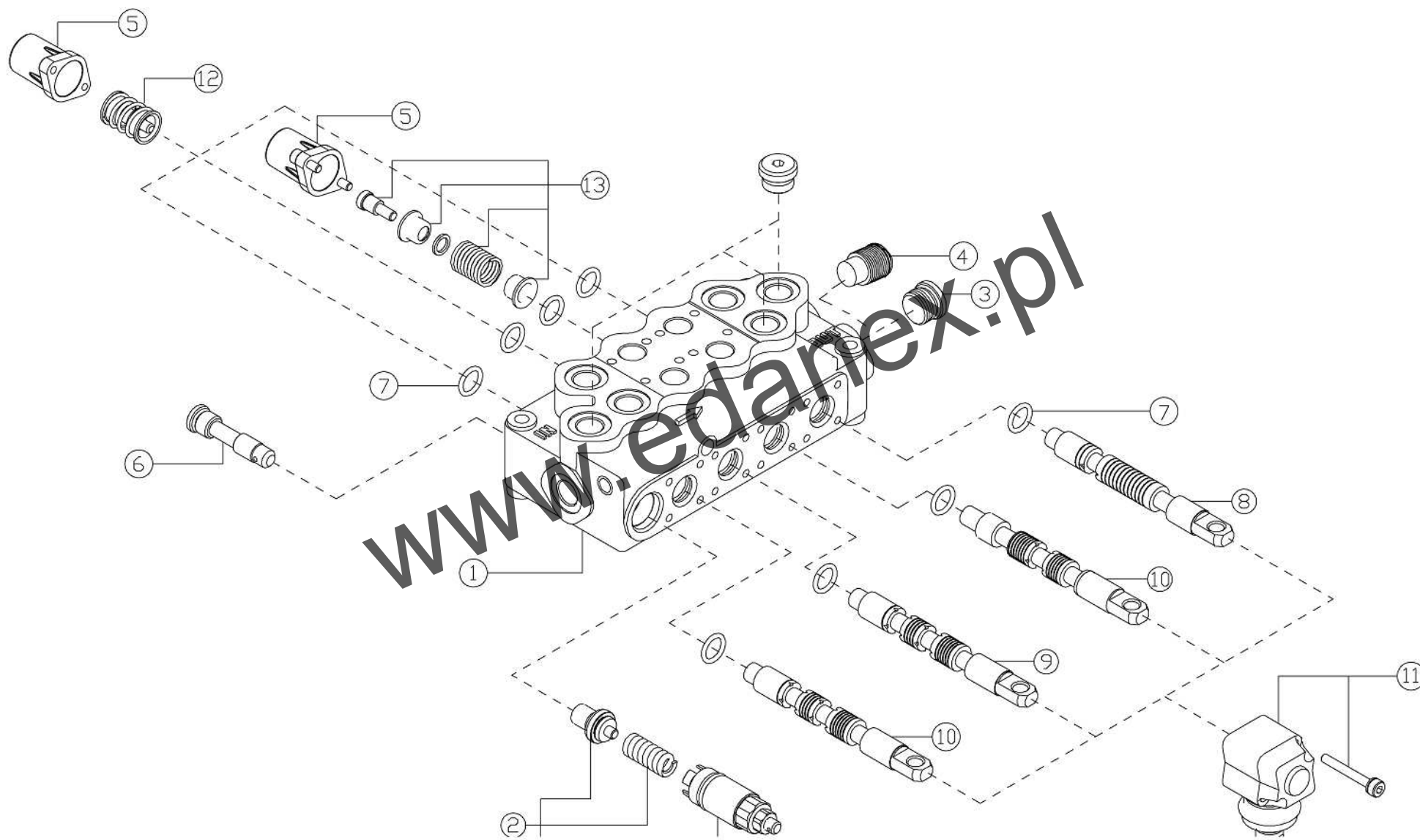


No.	Part No	Description	Qty
1	CVA00010	VALVE CTL 4 BANK MAN LINKAGE	1
2	CHY02002	ADAPTOR 3/8" BSP M-M	13
3	CHY00171	HOSE 3/8" M/F 1250 ST/ST	2
4	CHY00168	HOSE 3/8" F/F 1250 ST/ST	1
5	CHY00169	HOSE 3/8" F/F 1320 ST/ST	1
6	CHY02097	T PIECE 3/8" M-M-F	2
7	CHY00176	HOSE 3/8" F/F 1200 90/90	1
8	CHY02008	ADAPTOR 1/2" M 3/8" M	7
9	CHY00170	HOSE 3/8" F/F 3450 ST/90	2
10	CHY00174	HOSE 3/8" M/F 1000 ST/ST	2
11	CHY02098	ADAPTOR 3/8" BSP M-F	1
12	CHY00087	HOSE 3/8"X1220 BANJO 90	1
13	CHY00167	HOSE 3/8" F/F 4650 ST/90	1
14	CHY00173	HOSE 1/2" M/F 1300 ST/90	1
15	CHY00172	HOSE 3/8" F/F 1300 ST/90	1
16	CHY00175	HOSE 3/8" F/F 1200 ST/90	1
17	CHY02015	QR 1/2" MALE PARKER 7814G4X4	2
18	CMT00002	MOTOR 250CC 4BOLT 1 1/4" TAPER	1
19	CVA00011	VALVE RELIEF CL OMS100&130BAR	1
20	CHY00098	ADAPTOR 3/8" BANJO BOLT	1

No.	Part No	Description	Qty
-----	---------	-------------	-----

www.edanex.pl

991LB Hydraulic control valve (296)

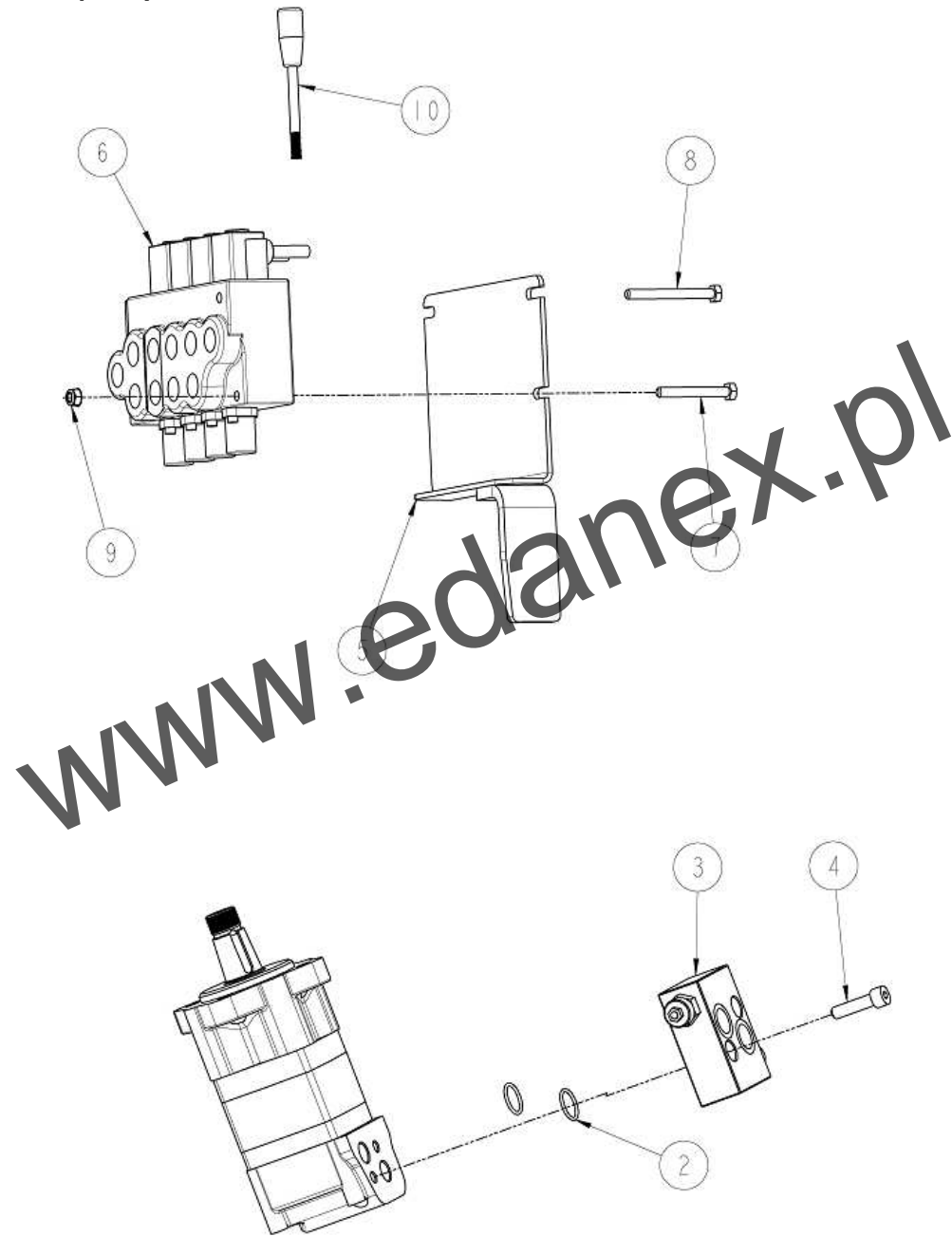


No.	Part No	Description	Qty
	CVA00010	VALVE CTL 4 BANK MAN LINKAGE	1
1	CVA00232	SD5/4-P/BSP/PT(s2-3) BODY	1
2	CVA00043	RELIEF VALVE FOR SD5 VALVE	1
3	CVA06003	OPEN CENTRE PLUG MANUAL VALVE	1
4	CVA06001	CLOSED CENTRE PLUG	1
5	CVA00044	SPOOL END CAP SD5	1
6	CVA00219	VR/SD5 KIT	1
7	CSE00064	SEAL KIT 4 BANK MANUAL VALVE	1
8	CVA00209	4A SD5 SPOOL	1
9	CVA00210	1CEX/SD5 SPOOL	1
10	CVA00106	SPOOL SD5 DOU ACTING	2
11	CVA00023	LEVER PIVOT BOX SD5 M8	4
12	CVA00233	SPOOL SPRING KIT	3
13	CVA00234	SPOOL SPRING KIT	1

No.	Part No	Description	Qty
-----	---------	-------------	-----

www.edanex.pl

991LB Hydraulic components (297)



No.	Part No	Description	Qty
1	CMT00002	MOTOR 250CC 4BOLT I 1/4 TAPER	1
2	CSE00009	SEAL O RING 270DX2.6 SECT 705	2
3	CVA00011	VALVE RELIEF CL OMSIOO&I3O BAR	1
4	CFA00179	BOLT MIO X 40 SOC CAP	2
5	ACH00004	PLATE MANUAL VALVE	1
6	CVA00010	VALVE CTL 4 BANK MAN LINKAGE	1
7	CFA00056	BOLT M8X65 ZIP	2
8	CFA00057	SETSCREWM8X8OZIP	1
9	CFA00132	NUT M8 NYLOC ZIP	3
10	CVA06002	VALVE HANDLE M8	4

No.	Part No	Description	Qty
-----	---------	-------------	-----

www.edanex.pl

991LB Electrical components (298)

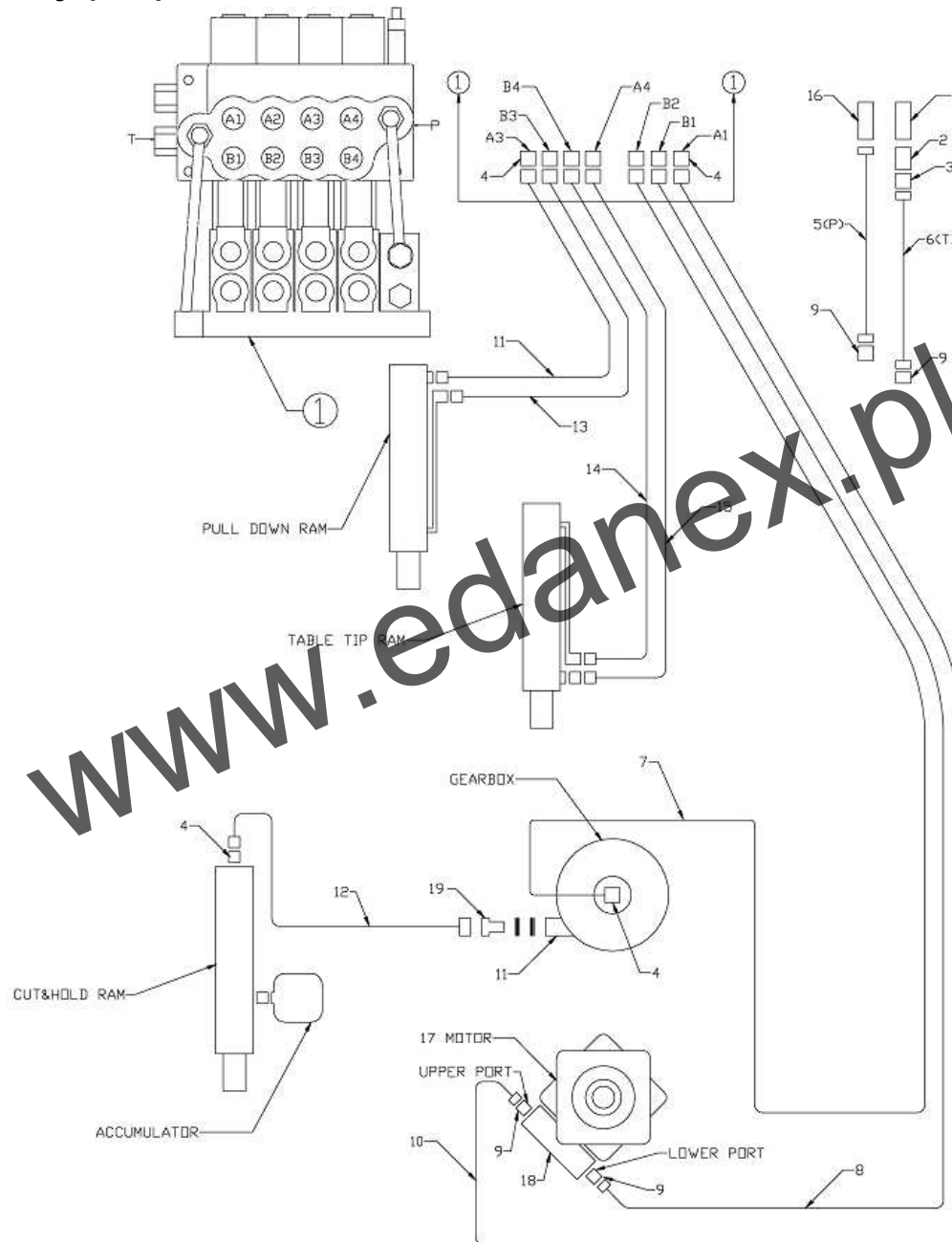


No.	Part No	Description	Qty
1	CEL00187	LOOM WIZZARD 991B	1
2	CEL00174	CPTR WIZARD BWC	1
3	CEL00036	SENSOR CABLE 5M	1

No.	Part No	Description	Qty
-----	---------	-------------	-----

www.edanex.pl

991LBER Hydraulic assembly (299)

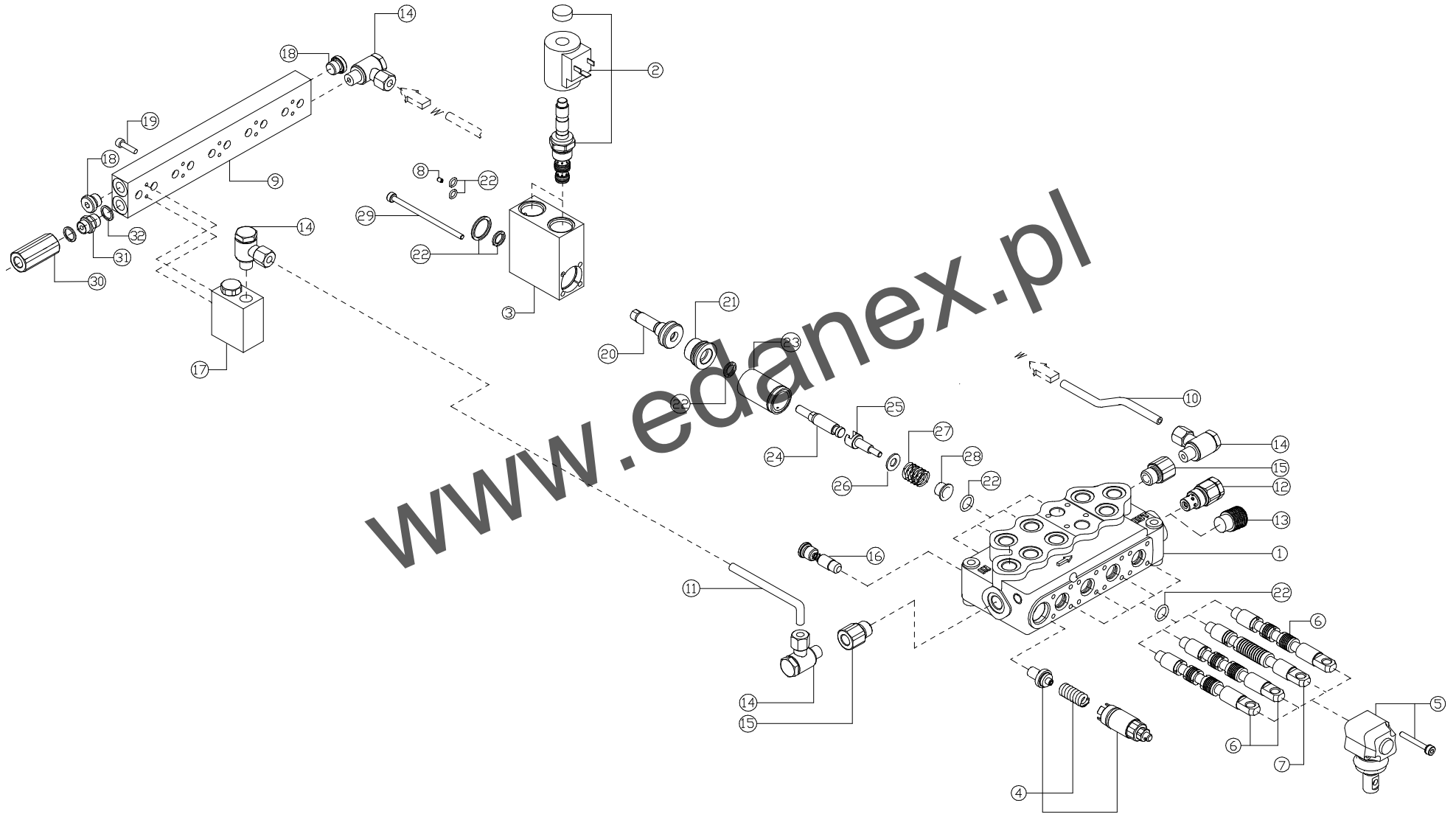


No.	Part No	Description	Qty
1	CVA00086	VALVE CTL 4BANK ELEC LBER+LSR	1
2	CVA02999	VALVE NON RET 1/2" 0.5BAR	1
3	CHY02013	ADAPTOR 1/2" BSP M/M	1
4	CHY02002	ADAPTOR 3/8" BSP M-M	11
5	CHY00177	HOSE 3/8" F/F 2200 ST/90	1
6	CHY00178	HOSE 1/2" M/F 1900 ST/90	1
7	CHY00179	HOSE 3/8" F/F 2450 ST/90	1
8	CHY00180	HOSE 3/8" F/F 2240 ST/90	1
9	CHY02008	ADAPTOR 1/2" M 3/8" M	4
10	CHY00181	HOSE 3/8" F/F 2350 ST/90	1
11	CHY00182	HOSE 3/8" F/F 1580 ST/ST	1
12	CHY00183	HOSE 3/8" F/F 1580 ST/90	1
13	CHY00087	HOSE 3/8"X1220 BANJO 90	1
14	CHY00184	HOSE 3/8" F/F 1400 ST/ST	1
15	CHY00185	HOSE 3/8" F/F 1480 ST/ST	1
16	CHY02015	QR 1/2" MALE PARKER 7814G4X4	2
17	CMT00002	MOTOR 250CC 4BOLT 1 1/4" TAPERE	1
18	CVA03000	VALVE BLOCK SLOW SPEED DANFOSS	1
19	CHY00098	ADAPTOR 3/8" BANJO BOLT	2

No.	Part No	Description	Qty
-----	---------	-------------	-----

www.edanex.pl

Hydraulic control valve (300)

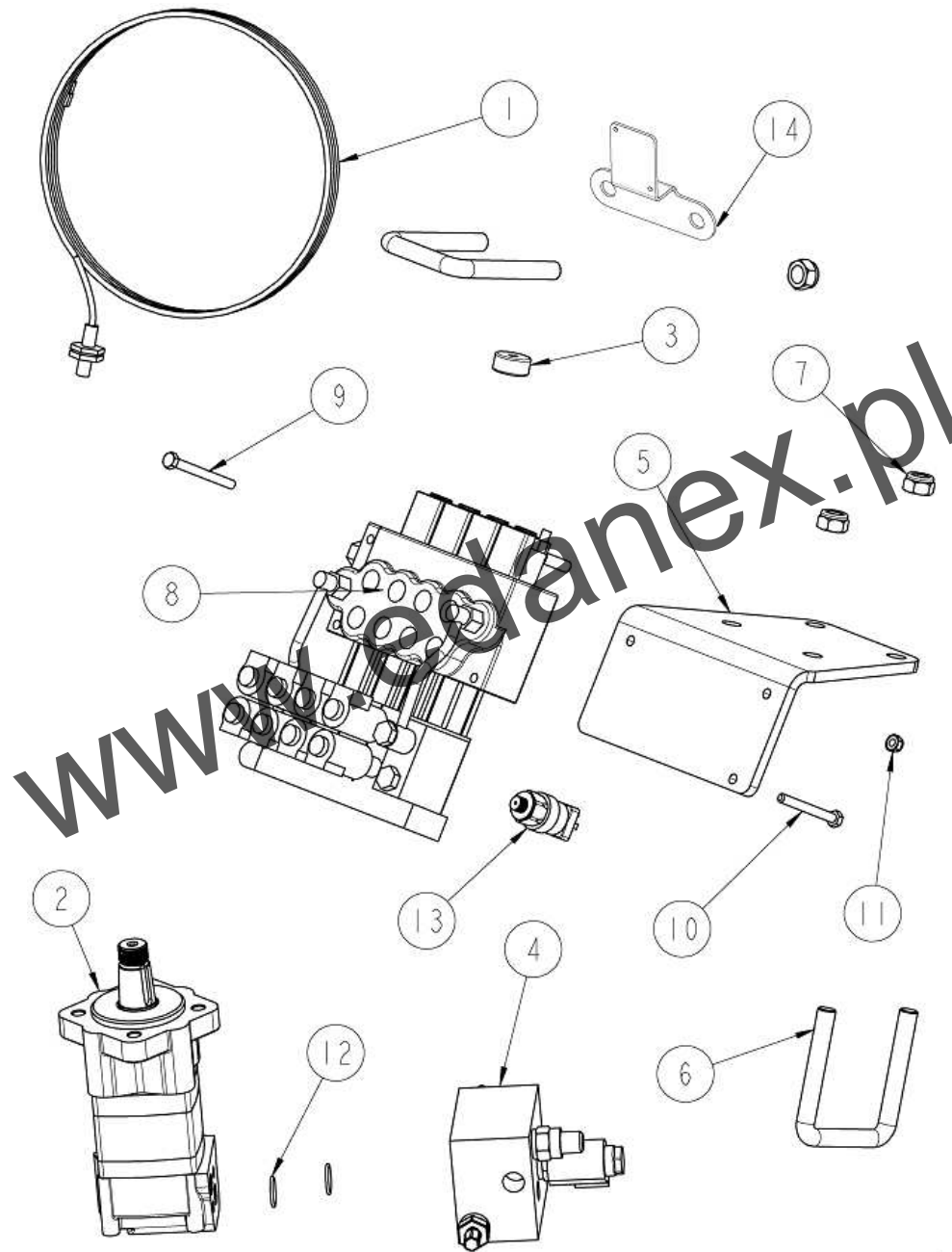


No.	Part No	Description	Qty
0	CVA00086	VALVE CTRL 4BANK ELEC LBER+LSR ASM	1
1	CVA00215	SD5 VALVE BLOCK	1
2	CVA00045	CTE+SOLENOID ELEC VALVE	8
3	CVA00046	VALVE BLOCK SOLENOID ELEC	4
4	CVA00043	VALVE RELIEF FOR SD5	1
5	CVA00023	LEVER PIVOT BOX SD5 M8	4
6	CVA00106	1/SD5 SPOOL	3
7	CVA00214	3B SD5 SPOOL	1
8	CFA00568	M6x4.5-Fc=1 SCREW	4
9	CVA00047	ALU MANIFOLD ELEC CTL VALVE	1
10	CVA00235	CONNNECTING PIPES	1
11	CVA00236	CONNNECTING PIPES	1
12	CVA06004	PLUG OPEN CTR ELEC VALVE	1
13	CVA06001	PLUG CLOSE CTR	1
14	CHY02020	ADAPTOR 1/4" BANJO ASY COMP	4
15	CVA00218	G3/8 - G1/4 JOINT	2
16	CVA00219	VR/SD5 KIT	1
17	CVA00220	PRESSURE CONTROL BLOCK	1
18	CVA00176	PLUG BSP 1/4"	3
19	CFA00261	SETSCREW M5X25 CSK HEX SS	10
20	CVA00226	PISTON SD5 SERVO	4
21	CVA00227	SEAL GLAND SD5 SERVO	4
22	CSE00065	SEAL KIT 4 BANK ELEC	4
23	CVA00228	SPACER SD5 SERVO	4
24	CVA00229	ROD SD5 SERVO	4
25	CVA00230	CONNECTING ROD SD5 SERVO	4
26	CFA00566	WASHER SD5 SERVO	4
27	CSG00043	SPRING SD5 SERVO	4
28	CVA00231	CUP SD5 SERVO	4
29	CFA00567	M5 X 100 _8.8 UNI 5931SCREW	16
30	CVA03009	VALVE DUMP 60 BAR	1
31	CHY02010	ADAPTOR 1/4" BSP	1
32	CHY00015	WASHER DOWTY 1/4"	2

No.	Part No	Description	Qty
-----	---------	-------------	-----

www.edanex.pl

991LBER Hydraulic components (301)



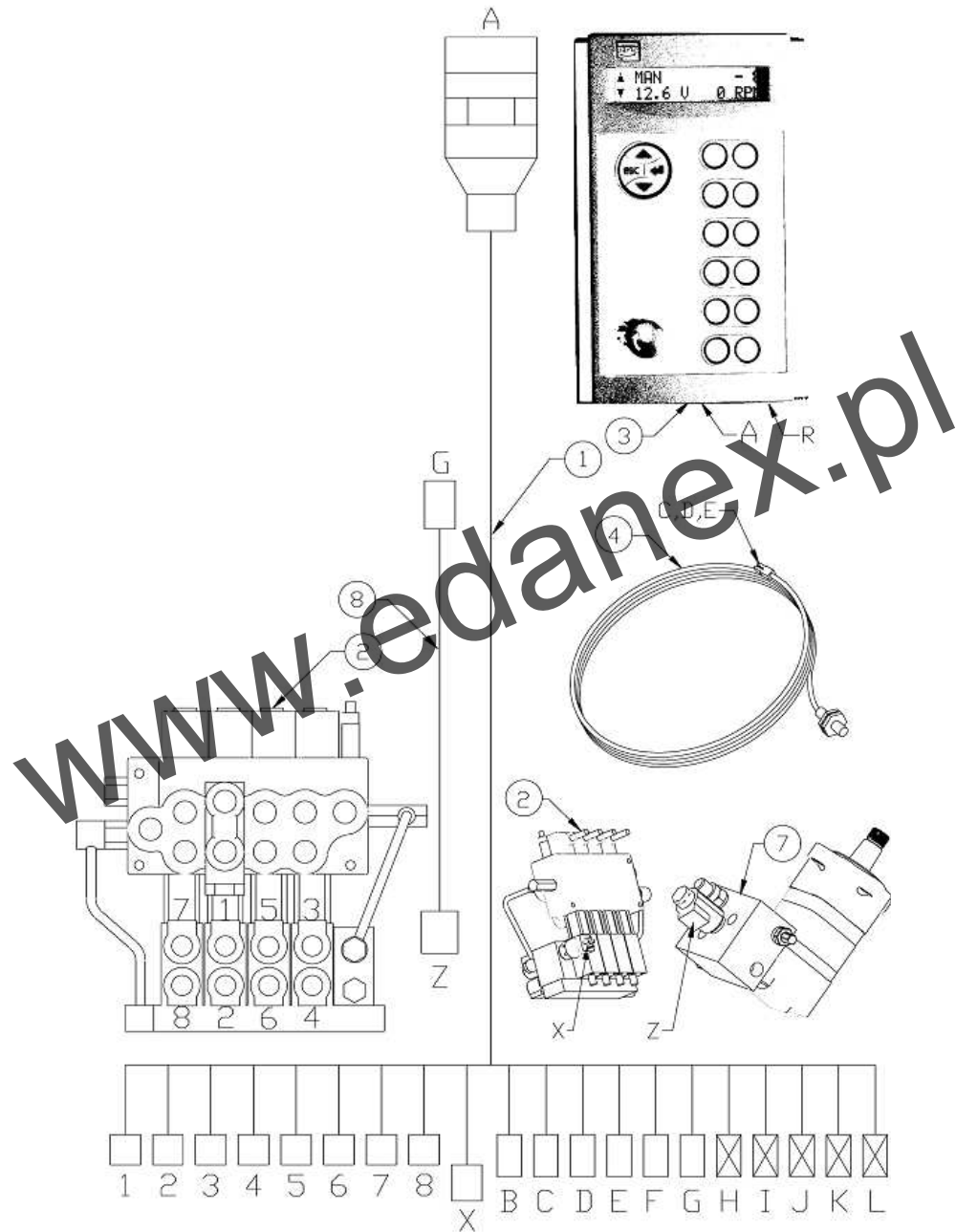
www.edanex.pl

No.	Part No	Description	Qty
1	CEL00036	SENSOR CABLE 5M	3
2	CMT00002	MOTOR 250CC 4BOLT	1
3	CEL00017	MAGNETBLUEWHEEL	6
4	CVA03000	VALVE BLOCK SLOW SPEED DANFOSS	1
5	CZH00224	0MM L LINKAGE VALVE PLATE	1
6	CFA00039	U BOLT M 16X80X80 ZIP	3
7	CFA00128	NUT M16 NYLOC	6
8	CVA00086	VALVE CTL 4BANK ELEC LBER+LSR	1
9	CFA00057	SETSCREW M8X80 ZIP	1
10	CFA00342	SETSCREW M8X70 Z/P	2
11	CFA00132	NUT M8 NYLOC Z/P	3
12	CSE00009	SEAL O RING 270DX2.6 SECT 705	2
13	CEL00008	SWITCH PRESSURE 2000PS	1
14	CZC04333	RECEIVER BRACKET	1

No.	Part No	Description	Qty
-----	---------	-------------	-----

www.edanex.pl

991LBER Electrical components (302)



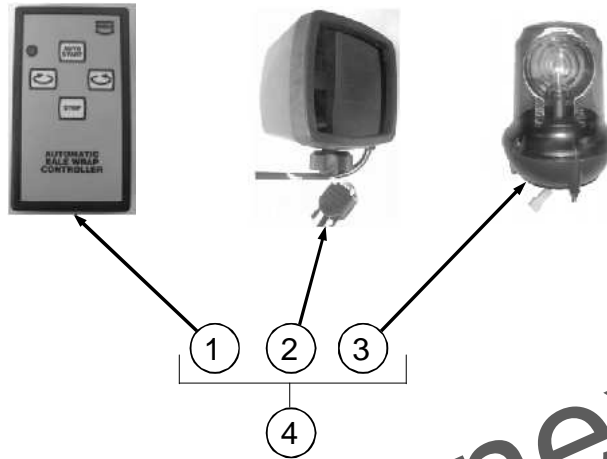
No.	Part No	Description	Qty
1	CEL00087	LOOM AUTO ELECTRONIC 37 PIN	1
2	CVA00086	VALVE CTL 4 BANK ELEC LBER LSR	1
3	CEL00071	CTLR AUTO EXPERT TRAILED	1
4	CEL00036	SENSOR CABLE 5M	3
7	CVA03000	VALVE BLOCK SLOW SPEED DANFOSS	1
8	CEL00113	LOOM EXT SOLENOID 3M	1

No.	Part No	Description	Qty
-----	---------	-------------	-----

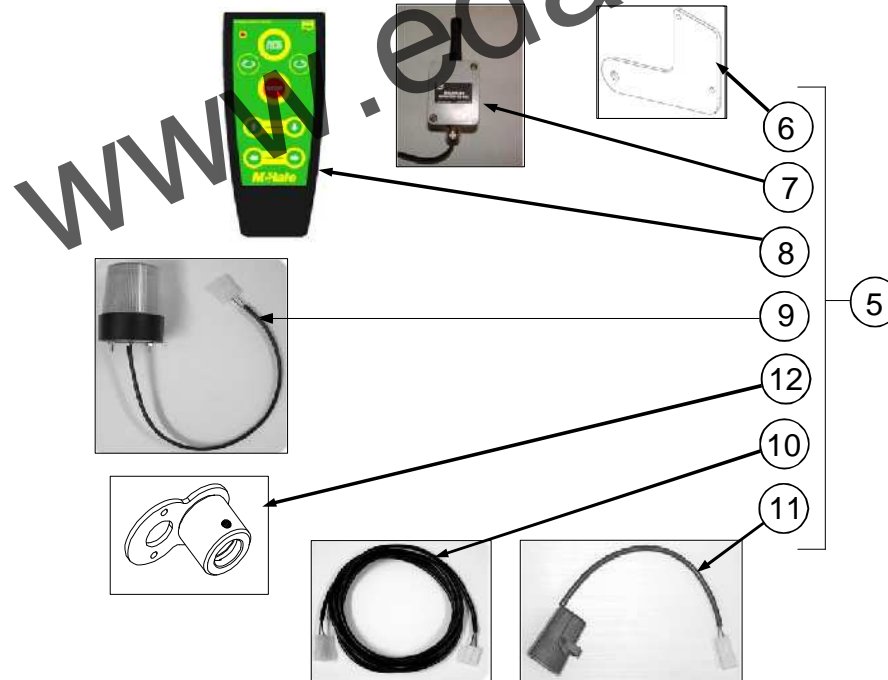
www.edanex.pl

Remote control options (263)

REMOTECONTROL INFRAREDTYPE



REMOTECONTROL RADIOCONTROLTYPE



No.	Part No	Description	Qty
1	CEL00013	REMOTE HAND PIECE	1
2	CEL00012	REMOTE RECEIVER	1
3	CEL00032	BEACON CW LOOM	1
4	KST00007	KIT REMOTE & BEACON 991BE	1
5	KST00053	KIT RADIO REMOTE & BEACON 991BE	1
6	CZC04362	BRACKET REMOTE TRANSMITTER.	1
7	CEL00665	RECEIVER	1
8	CEL00664	HAND PIECE	1
9	CEL00292	BEACON XENON AMBER	1
10	CEL00293	EXTENSION BEACON 2.8M	1
11	CEL00220	WARNING BUZZER	1
12	ADP00160	BRACKET BEACON XENON	1

No.	Part No	Description	Qty
-----	---------	-------------	-----

www.edanex.pl