

McHale *ENGINEERING LTD.*



QUALITY

I.S. EN ISO 9001:2008

NSAI Certified



991C

Spare Parts Book

McHale Engineering Limited,
Castlebar Rd, Ballinrobe,
Co. Mayo, Ireland.
Tel: +353 94 9520300
Fax: +353 94 9520356
Email: sales@mchale.net
Website: www.mchale.net

www.edanex.pl

This page is intentionally left blank

Introduction

The **McHale 991C** which you have purchased has been developed through years of constant research and development. Given proper care and attention the **991C** will give years of reliable and dependable performance. However it is important that the operators manual is read and fully understood to achieve this, **before** the machine is operated. As part of this philosophy it is vital to use only **genuine McHale** replacement parts, as these are manufactured to the same high standard as the original machine. These may be obtained through your **McHale** dealer.

If any part of this manual is not fully understood, please contact your **McHale** dealer who will be able to answer any questions or queries that you might have. It is important to quote the machine serial number when requiring spare parts or technical assistance. Space is provided below to record the machine details:

Serial number:	
Year of manufacture:	
Date of delivery:	

If you require further copies of this spare parts manual please quote part number

Note: Parts described as left and right are done so according to the direction that the machine normally travels in.

Note: Due to a policy of continuous product development and improvement *McHale Engineering Ltd* reserve the right to alter machine specifications without prior notice.

Contents

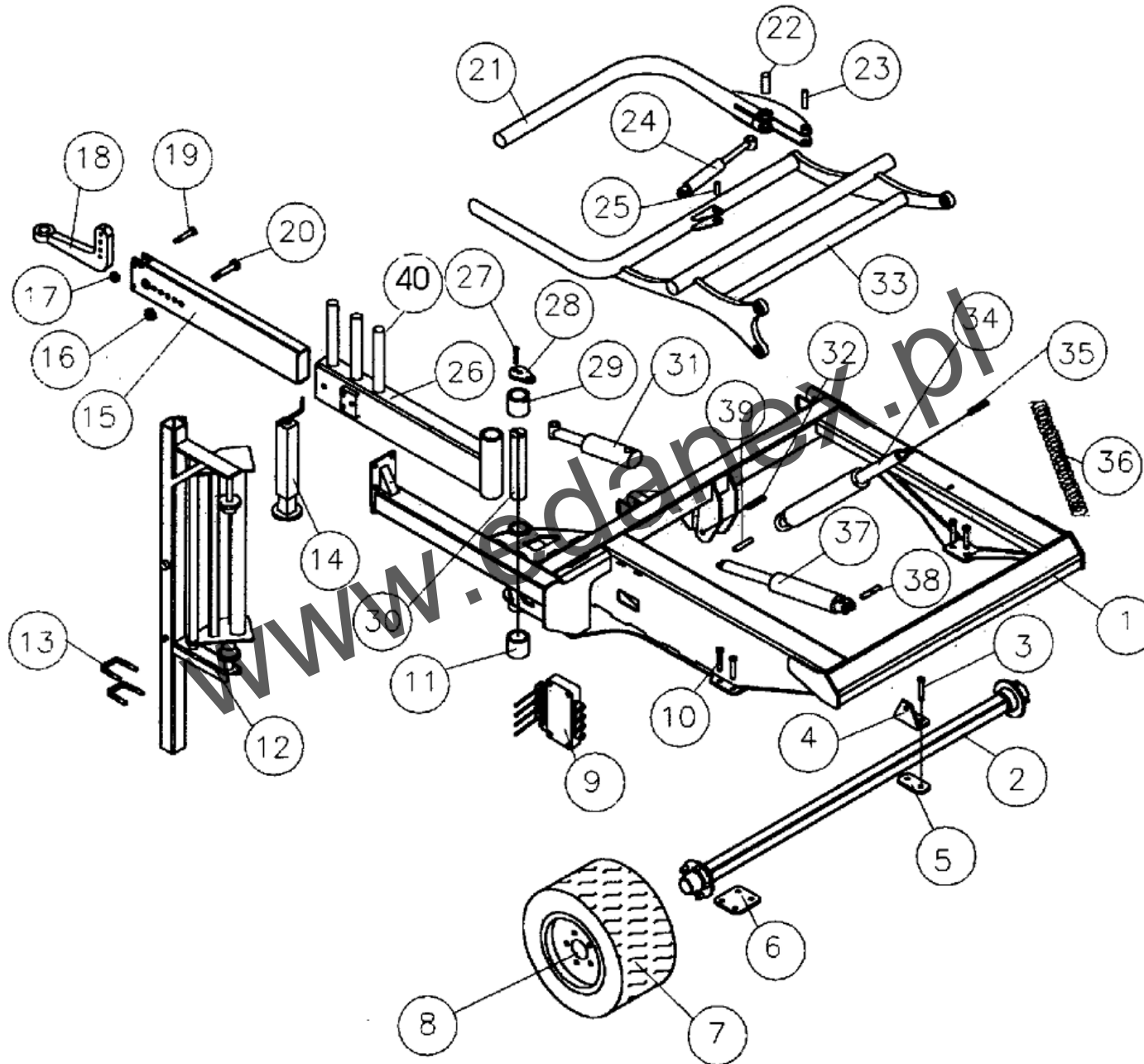
Section	Document No	Section	Document No
Chassis			
Main chassis (265)	SPD00265		
Sub chassis (267)	SPD00267		
Rotary table (268)	SPD00268		
Gearbox (236)	SPD00236		
Dispenser post (270)	SPD00270		
Dispenser (271)	SPD00271		
Cut & Hold (272)	SPD00272		
Bale damper (273)	SPD00273		
Bale damper side tip (274)	SPD00274		
Axle (275)	SPD00275		
500mm conversion kit (276)	SPD00276		
Hydraulic & Electrical			
Hydraulic & Electrical 1 (277)	SPD00277		

www.edanex.pl

www.edanex.pl

This page is intentionally left blank

Main chassis (265)

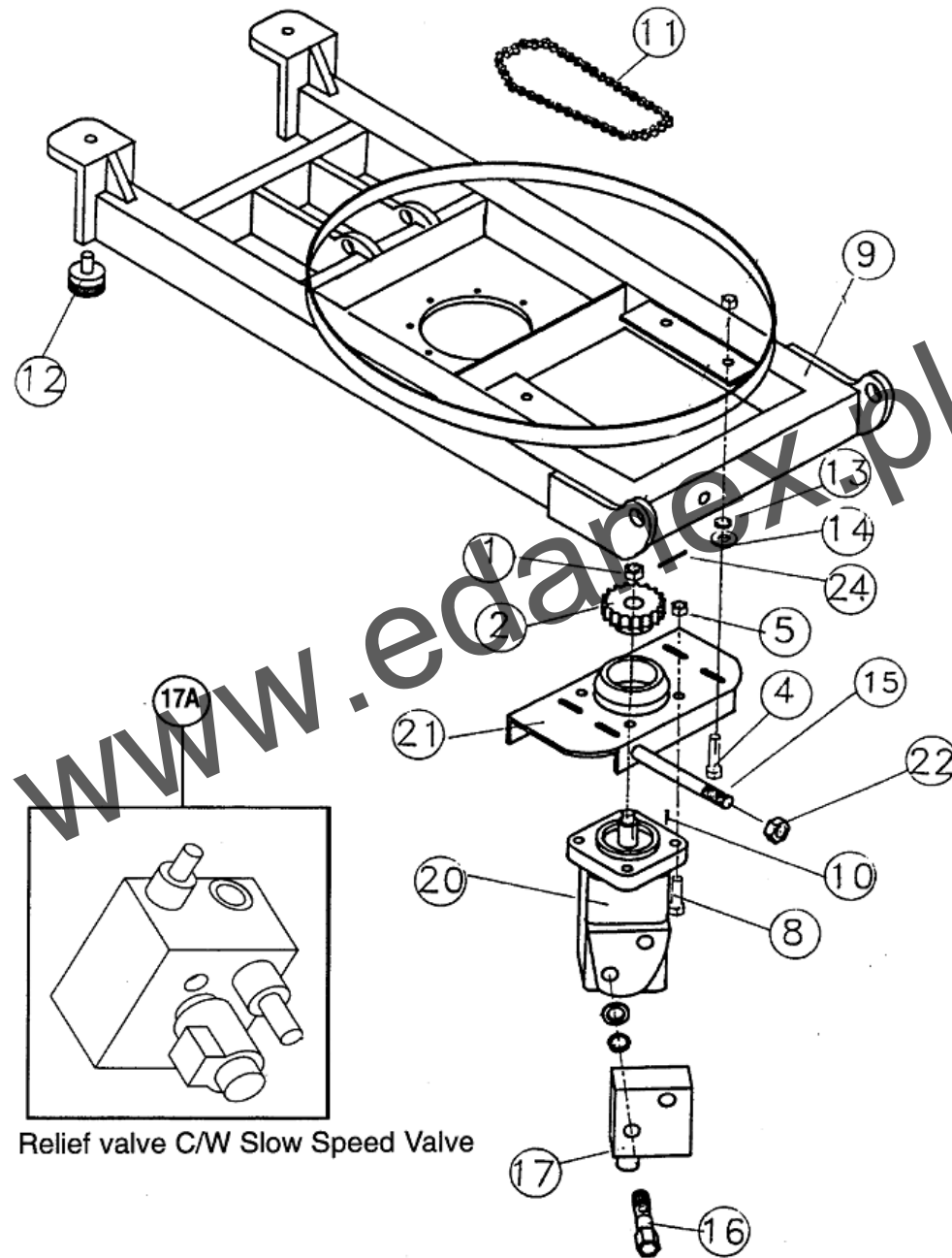


No.	Part No	Description	Qty
1	ACH00017	MAIN CHASSIS 991C	1
2	CAX00002	AXLE 60mm SQ. 6 STUD	1
3	CFA00040	BOLT M16X100 Z/P	2
4	CZH00162	SPRING CLAMP	1
5	CZH00163	SPRING CLAMP AXLE PLATE	1
6	CZH00105	4 BOLT AXLE PLATE	2
7	CWH00009	WHEEL ASSEMBLY 31X15.5-15 6 STUD	2
8	CWH00018	WHEEL RIM 15X13 6 STUD	2
9	CVA00001	4-BANK ELECTRONIC VALVE 991C	1
10	CFA00151	BOLT M16X40 Z/P	2
11	CBR00019	GLACIER BUSH PM 6060	1
12	ADP00012	DISPENSER POST 991C ASSEMBLY	1
13	CFA00039	U BOLT 16mm	2
14	CTP00003	JACK PARKING C/W WHEEL 991C	1
15	ADB00013	ADJUSTABLE DRAWBAR	1
16	CFA00128	NUT M16 NYLOC	1
17	CFA00129	NUT M20 NYLOC	1
18	CTP00007	HITCH EYE 991C	1
19	CFA00053	BOLT M20X90 Z/P	1
20	CFA00040	BOLT M16X100 Z/P	1
21	ALA00014	LIFT ARM 991C SIDE ARM	1
22	CMH00187	PIN 40X192X12MM	1
23	CMH00183	PIN 25X100&8MM C.HOLE Z/P	1
24	CRA00075	LIFTARM PIVOT CYLINDER 991C	1
25	CMH00066	PIN 25X130&8MM C.HOLE	1
26	ADB00014	DRAWBAR & FILM ROLL HOLDERS	1
27	CFA00032	BOLT M12X30 Z/P	3
28	CZF00129	DRAWBAR HINGE PIN TOP PLATE	1
29	CBR00019	GLACIER BUSH PM 6060	1
30	CMH00067	PIN 60X395XM12	1
31	CRA00077	DRAWBAR PIVOT CYLINDER 991C	1
32	CMH00068	PIN 19X140&8MM C.HOLE Z/P	1
33	ALA00001	LIFTARM ASSEMBLY 991C	1
34	CRA00019	TABLE TIP CYLINDER	1
34	CSE00019	SEAL KIT TABLE TIP 2 STAGE	1
35	CMH00068	PIN 19X140&8MM C.HOLE Z/P	1
36	CSG00007	SPRING PULL TIP TABLE 991C	1
37	CRA00078	LIFT ARM CYLINDER 991C	1
37	CSE00020	SEAL KIT LIFT ARM CYLINDER	1
38	ALA00008	KIT LIFT ARM RAM PIN	1
39	ALA00008	KIT LIFT ARM RAM PIN	1

No.	Part No	Description	Qty
40	CMH00014	FILM TUBE HOLDER 60X414 THREADED	3
41	CTP00029	991C DRAWBAR SAFETY BAR	1
<i>NOT SHOWN ON DRAWING</i>			

www.edanex.pl

Sub chassis (267)

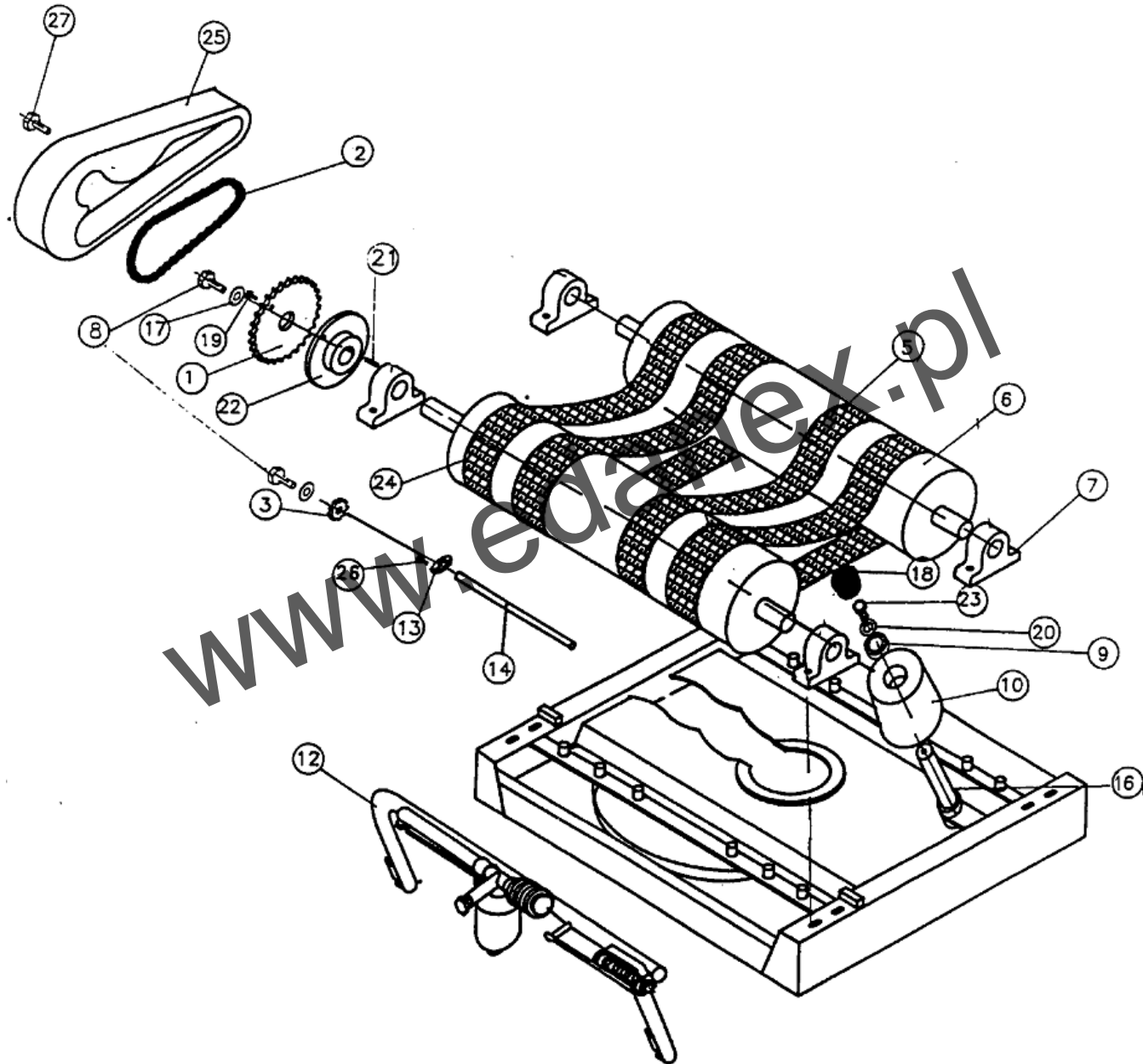


No.	Part No	Description	Qty
1	CMT00015	MOTOR SPINDLE NUT	1
2	CMH00177	MOTOR SPROCKET 10 TOOTH 1"	1
4	CFA00151	BOLT M16X40	4
5	CFA00124	NUT 12mm NYLOC	4
8	CFA00079	BOLT M12X45	4
9	ACH00010	SUB CHASSIS TRAILED	1
10	CFA00157	KEY 8X7X35	1
11	CCH00003	CHAIN 16B 1" 47 LINKS	1
12	CBE00002	RUBBER BUFFER M10 THREAD	2
13	CFA00141	WASHER, SPRING 16mm	4
14	CZD00192	WASHER 17X45X4	4
15	CFA00041	BOLT M16X240	1
16	CFA00179	BOLT 10X40 SOCKET CAP SCREW	2
17	CVA00011	CROSS LINE RELIEF VALVE DANFOSS OMS	1
17	CVA03000	SLOW SPEED VALVE DANFOSS OMS	1
20	CMT00002	MOTOR 250cc CHAR LYNN	1
20	CSE00082	HALF SEAL KIT CHAR LYNN	1
20	CSE00081	SEAL KIT CHAR LYNN COMPLETE	1
20	CSE00083	SEAL KIT MOTOR DANFOSS	1
21	ACH00020	MOTOR ADJUSTING PLATE	1
22	CFA00128	NUT M16 NYLOC	1
24	CFA00021	SPLIT PIN 4X50	1

No.	Part No	Description	Qty
-----	---------	-------------	-----

www.edanex.pl

Rotary table (268)

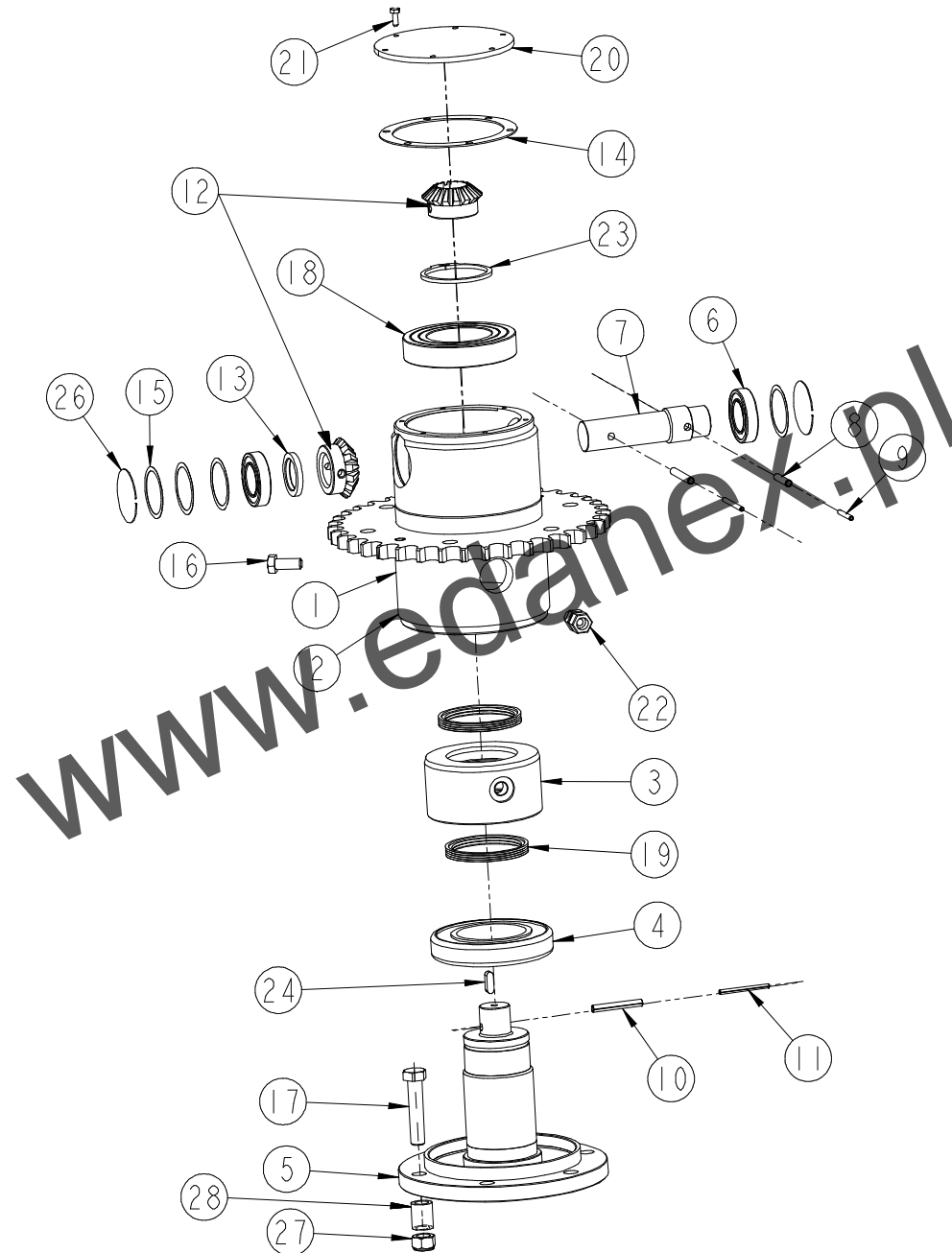


No.	Part No	Description	Qty
1	CMH00060	SPROCKET 28T 3/4" PITCH	1
2	CCH00006	CHAIN 12B 3/4" 79 LINK	1
3	CMH00059	SPROCKET 9T 3/4" PITCH	1
5	CBE00003	TABLE BELT 96 3.2M (10'6") SET	1
5	CBE00010	TABLE BELT 96 3.2M (10'6") SINGLE	4
6	ART00003	TABLE IDLE ROLLER	1
7	CBR00005	BEARING PILLOW BLOCK	4
8	CFA00024	SETSCREW M10X25	2
9	CBR00024	BEARING 6206 2RS	4
10	CPL00008	BALE BOBBIN	2
13	CBR00006	BEARING 25mm 2 BOLT FLANGED	1
14	CMH00021	SHAFT 25X900 991	1
<i>REPLACES CMH01244 [WHICH IS IDENTICAL BUT NO LONGER AVAILABLE]</i>			
16	ART00005	BOBBIN AXLE SHAFT	2
17	CZD00121	WASHER 10X50X4	1
18	CBC00008	PLASTIC CAP BOBBIN	2
19	CFA00055	SHEAR BOLT M8X35	1
20	CFA00134	WASHER 10mm MUDWING	1
21	CFA00155	KEY 8X10X25	1
22	CMH00029	SHEAR BOLT FLANGE	1
23	CFA00022	SETSCREW M10X16	2
24	ART00004	TABLE DRIVING ROLLER	1
25	CGD00004	PLASTIC CHAIN GUARD	1
26	CFA00033	BOLT M12X35	2

No.	Part No	Description	Qty
-----	---------	-------------	-----

www.edanex.pl

Gearbox (236)

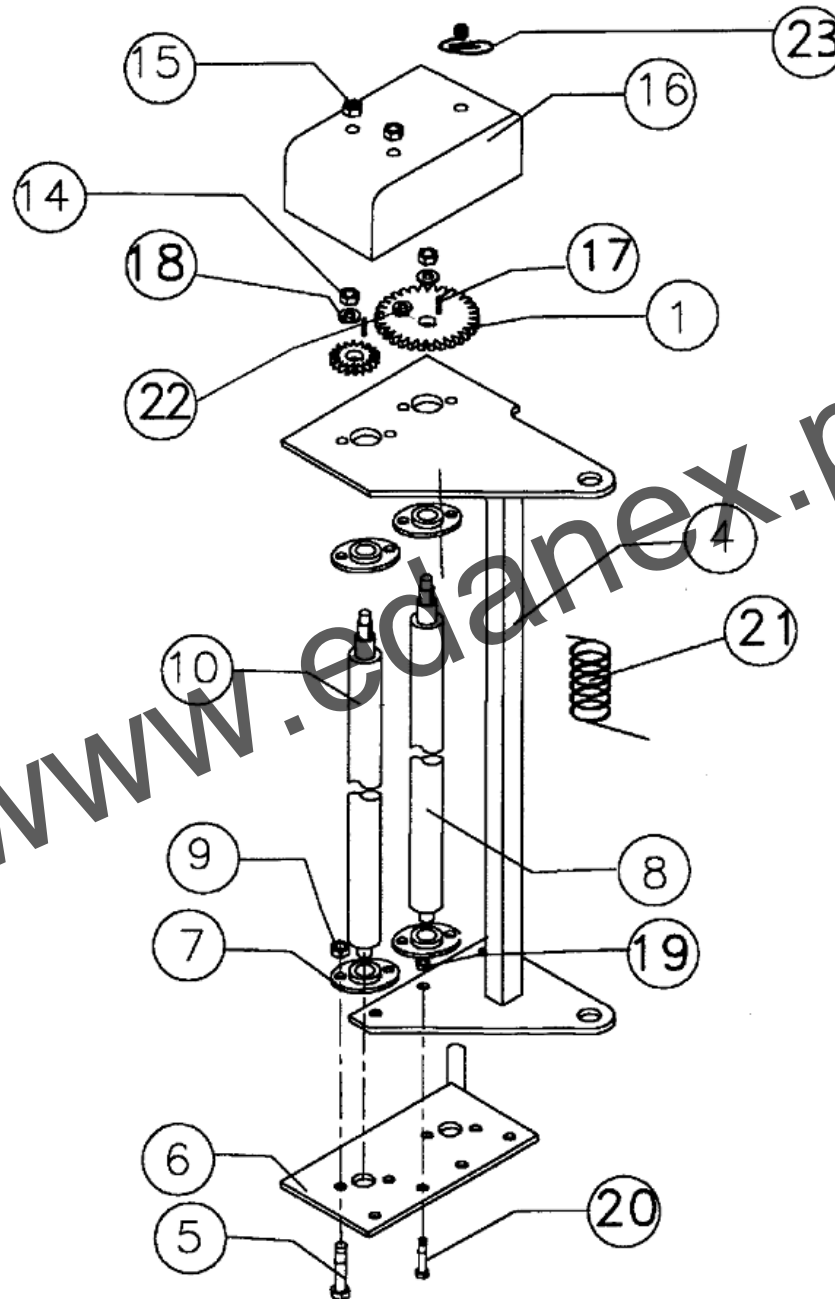


No.	Part No	Description	Qty
1	ACH00015	GEARBOXROUNDNEW	1
2	ACH00034	GEARBOX HOUSING ASSEMBLY	1
3	CMH00032	SEAL BLOCK WRAPPER GEARBOX	1
4	CBR00003	BEARING62I62RS	1
5	CMH00182	SHAFT 80X220 & KEYWAY	1
6	CBR00001	BEARING 6007 2R5	2
7	CMH00213	SHAFT 35X150 STEPPED	1
8	CFA00009	ROLL PIN 8X40	1
9	CFA00006	ROLL PIN 5X40	1
10	CFA00011	ROLLPIN8X60	2
11	CFA00007	ROLLPIN5X60	2
12	ACH00031	KIT BEVEL GEARS	1
<i>KIT ALSO INCLUDES ITEMS [10,11] X2 [24] X1</i>			
13	CMH00064	SHIMGEARBOX	1
14	CSE00006	GASKETI28XI58&6X8MMC.HOLES	1
15	CFA00213	SHIM5OX62XO.3	4
16	CFA00032	SETSCREWMI2X3OZ/P	2
17	CFA00794	BOLTMI6X90	6
18	CBR00002	BEARING62I52RS	1
19	CSE00001	SEAL GEARBOX 991	2
20	CZF00169	6MMLGEARBOXPLATE	1
21	CFA00045	SETSCREWM6X16	6
22	CHY02001	ADAPTOR 3/8 BSP M/F	1
23	CFA00704	CIRCLIP75MMEXTERNALHEAVY	1
24	CFA00154	KEY8X7X25	1
26	CFA00002	CIRCLIP 62MM INTERNAL	2
27	CFA00128	NUTMI6NYLOC	6
28	CMH01028	BUSH	6
29	ACH00029	KIT GEARBOX REPAIR	1
<i>NOT SHOWN. KIT INCLUDES ITEMS [4,5,8,9,14,23,24]X1 [10,11,19,26]X2 [XLU00014 GREASE]X1.</i>			

No.	Part No	Description	Qty
-----	---------	-------------	-----

www.edanex.pl

Dispenser post (270)

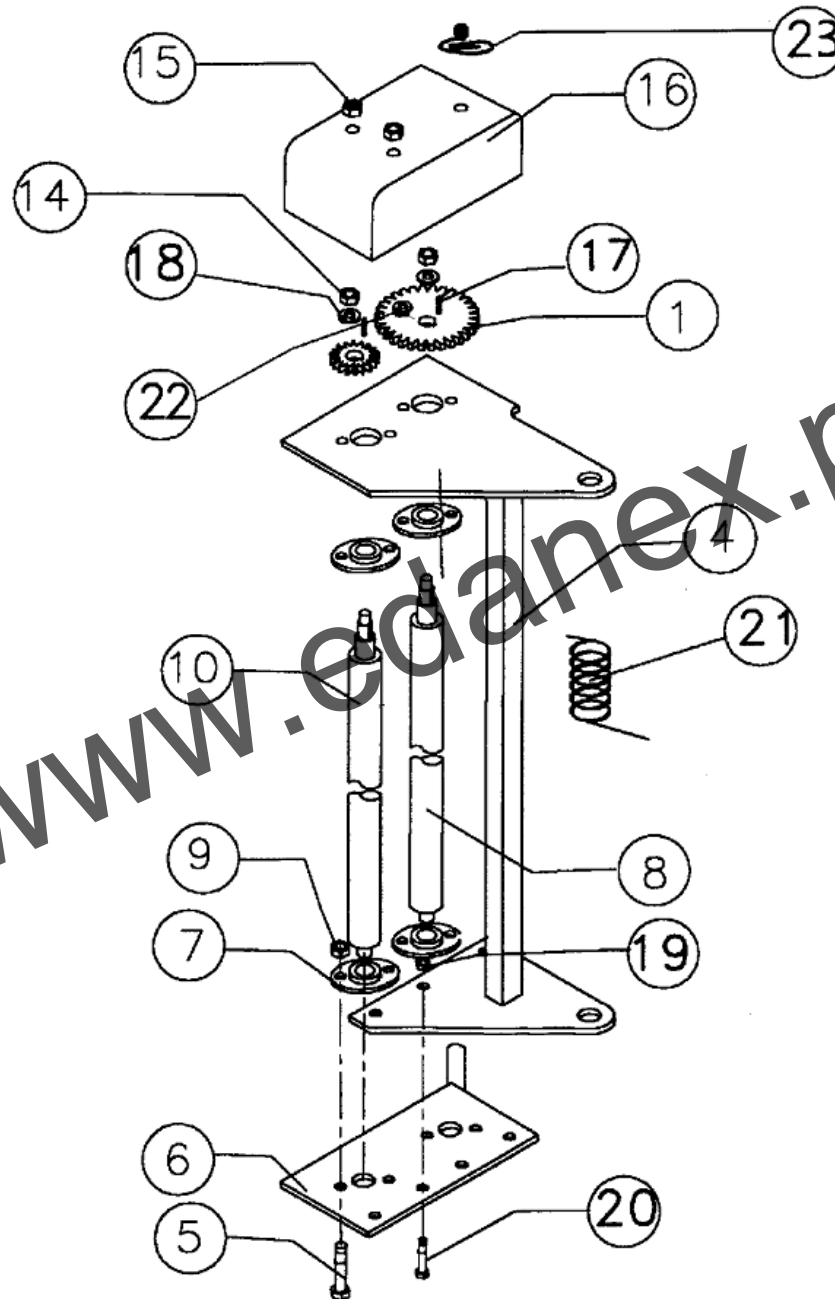


No. Part No	Description	Qty
0 ADP00015	FILM DISPENSER ASSEMBLY 750MM	1
1 ADP00018	DISPENSER GEAR SET 70%	1
1 ADP00019	DISPENSER GEAR SET 55%	1
4 ADP00010	DISPENSER UNIT FRAME	1
5 CFA00052	SETSCREW M8X20	8
6 ADP00004	BOTTOM PLATE	1
7 CBR00004	FLANGED BEARING 20mm	4
8 CMH00034	PRIMARY ROLLER (ALU)	1
9 CFA00132	NUT M8 NYLOC	8
10 CMH00035	SECONDARY ROLLER (ALU)	1
14 CFA00124	NUT M12 NYLOC	2
15 CFA00132	NUT M8 NYLOC	2
16 CGD00001	GUARD DISPENSER GEARS	1
17 CFA00153	KEY 6X6X15	2
18 CFA00139	WASHER 12MM HEAVY DUTY	2
19 CFA00123	NUT M10 NYLOC	4
20 CFA00024	SETSCREW M10X25	4
21 CSG00003	SPRING TORSION DISPENSER	1
22 CEL00017	MAGNET	1
23 CEL00004	SPEED SENSOR CABLE 3.6M	1
<i>THIS IS A STANDARD McHale REED SENSOR MEANING IT IS INTERCHANGEABLE WITH OTHER SUCH SENSORS AND ONLY DIFFERS IN CABLE LENGTH AND ARMOURING. UNIVERSAL SENSOR CEL00215 MAY BE USED IN PLACE OF THIS PART.</i>		
23 CGD00009	GUARD DISPENSER ROLLERS	1

No. Part No	Description	Qty
-------------	-------------	-----

www.edanex.pl

Dispenser (271)

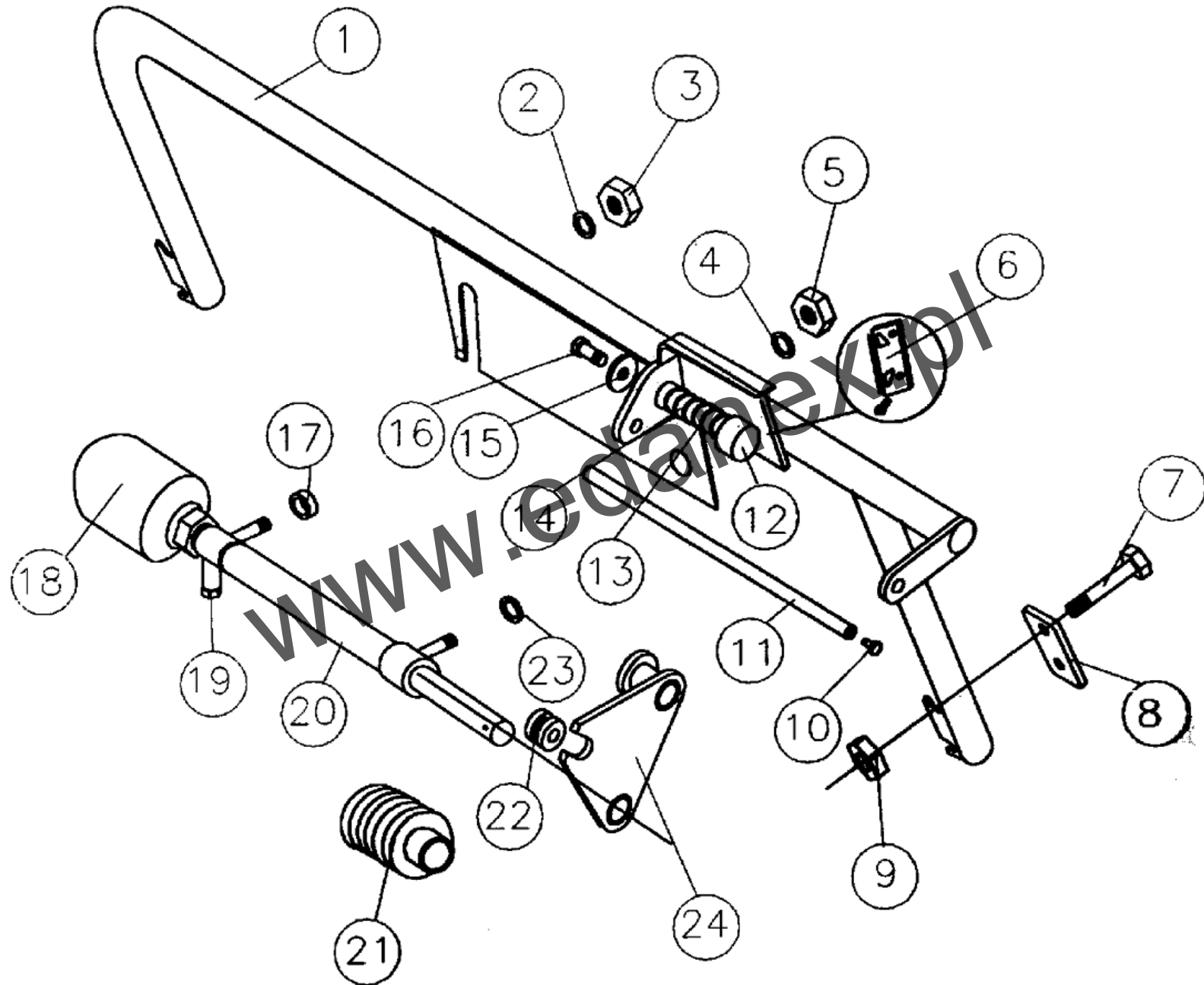


No.	Part No	Description	Qty
1	ADP00015	FILM DISPENSER ASSEMBLY 750MM	1
1	ADP00018	DISPENSER GEAR SET 70%	1
1	ADP00019	DISPENSER GEAR SET 55%	1
4	ADP00010	DISPENSER UNIT FRAME	1
5	CFA00052	SETSCREW M8X20	8
6	ADP00004	BOTTOM PLATE	1
7	CBR00004	FLANGED BEARING 20mm	4
8	CMH00034	PRIMARY ROLLER (ALU)	1
9	CFA00132	NUT M8 NYLOC	8
10	CMH00035	SECONDARY ROLLER (ALU)	1
14	CFA00124	NUT M12 NYLOC	2
15	CFA00132	NUT M8 NYLOC	2
16	CGD00001	GUARD DISPENSER GEARS	1
17	CFA00153	KEY 6X6X15	2
18	CFA00139	WASHER 12MM HEAVY DUTY	2
19	CFA00123	NUT M10 NYLOC	4
20	CFA00024	SETSCREW M10X25	4
21	CSG00003	SPRING TORSION DISPENSER	1
22	CEL00017	MAGNET	1
23	CEL00004	SPEED SENSOR CABLE 3.6M	1
<i>THIS IS A STANDARD McHale REED SENSOR MEANING IT IS INTERCHANGEABLE WITH OTHER SUCH SENSORS AND ONLY DIFFERS IN CABLE LENGTH AND ARMOURING. UNIVERSAL SENSOR CEL00215 MAY BE USED IN PLACE OF THIS PART.</i>			
23	CGD00009	GUARD DISPENSER ROLLERS	1

No.	Part No	Description	Qty
-----	---------	-------------	-----

www.edanex.pl

Cut & Hold (272)

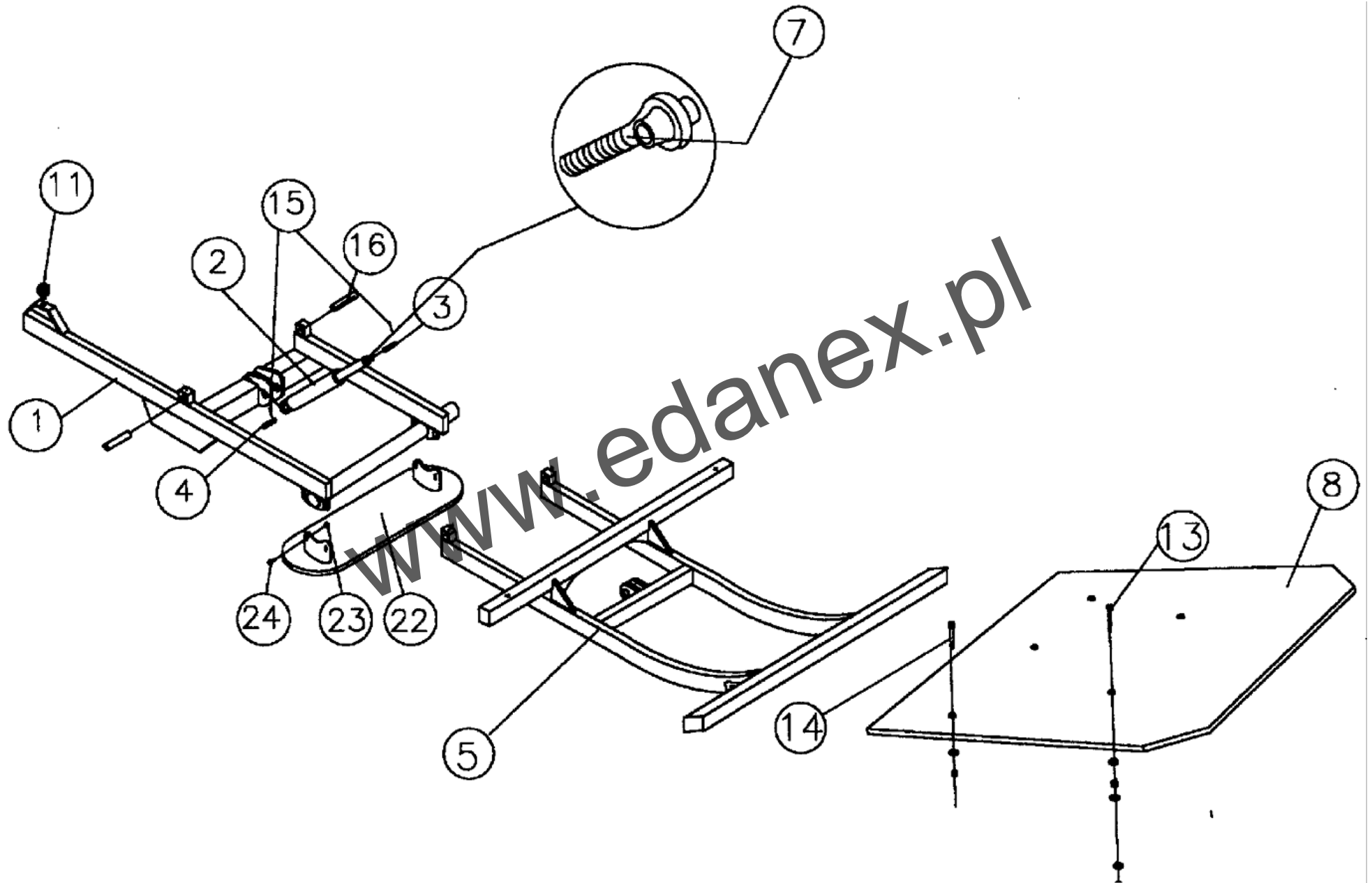


No.	Part No	Description	Qty
0	ACT00008	CUT & HOLD 991C FULL ASSEMBLY	1
1	ACT00007	CUT & HOLD FRAME	1
2	CFA00222	WASHER 14mm FLAT	2
3	CFA00126	NUT M14 NYLOC	2
4	CFA00222	WASHER 14mm FLAT	2
5	CFA00126	NUT M14 NYLOC	2
6	CKN00001	CUT & HOLD KNIFE	1
7	CFA00040	BOLT M16X100 Z/P	4
8	CZH00135	2 BOLT PLATE FOR CUT & HOLD	2
9	CFA00128	NUT M16 NYLOC	4
10	CFA00024	SETSCREW M10X25	2
11	CMH00326	GUIDE BAR	1
12	CBE00002	RUBBER BUFFER M10 THREAD	1
13	CSG00004	COIL SPRING	1
14	CMH00023	CHROME PLUNGER 25mm	1
15	CZD00118	WASHER 10x40x4	1
16	CFA00024	SETSCREW M10X25	1
17	CMH00093	14mm SPACER	1
18	CVA03013	ACCUMULATOR 1 LITRE 30 BAR	1
19	CHY02004	PLUG 3/8" BSP MALE	1
20	CRA00076	CUT & HOLD CYLINDER COMPLETE 991C	1
20	CSE00021	SEAL KIT CUT & HOLD CYLINDER	1
21	CBE00006	RUBBER GAITER CUT & HOLD	1
22	CMH00325	BUSH STEPPED 20X40X90 (NYLON)	1
23	CFA00222	WASHER 14mm FLAT	2
24	ACT00009	CUT & HOLD FILM RETAINER 991C	1

No.	Part No	Description	Qty
-----	---------	-------------	-----

www.edanex.pl

Bale damper (273)

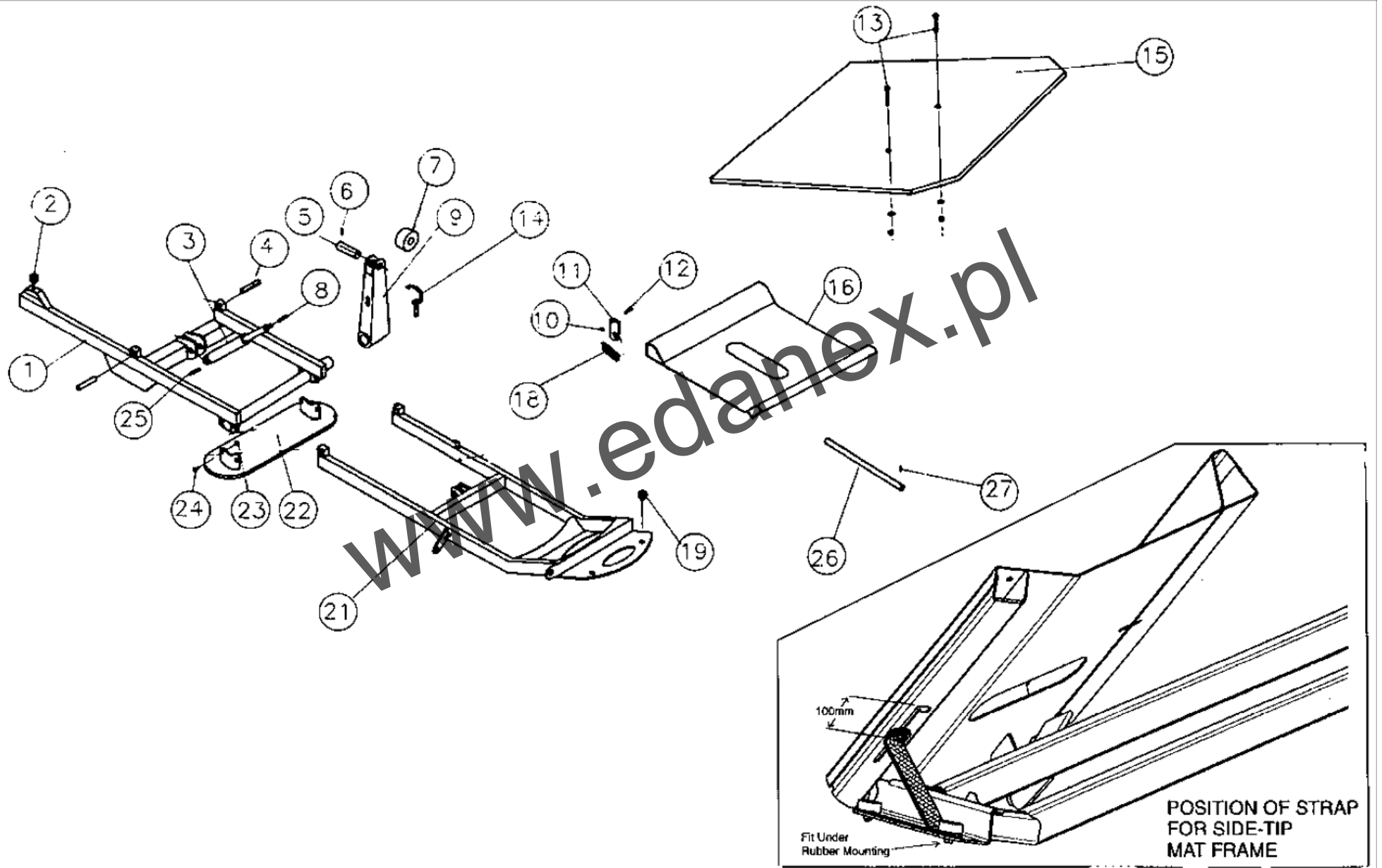


No.	Part No	Description	Qty
1	ABD00003	BALE DAMPER STD FULL ASSEMBLY	1
1	ABD00004	BALE DAMPER FRAME	1
2	CRA00038	BALE DAMPER CYLINDER COMPLETE	1
2	CSE00038	SEAL KIT BALE DAMPER	1
3	CMH00095	TOP RAM PIN 25X106&8MM C.HOLE	1
4	CMH00066	BOTTOM RAM PIN 25X130&8MM C.HOLE	1
5	ABD00005	MAT FRAME STANDARD	1
7	CRA01038	ADJUSTABLE CYLINDER END	1
8	CBE00001	MAT STANDARD	1
11	CBE00002	RUBBER BUFFER M10 THREAD	1
14	CFA00037	BOLT M12X80 CUPHEAD Z/P	3
15	CFA00010	ROLL PIN 8X50 Z/P	4
16	CMH00154	HINGE PIN 25X190&8MM C.HOLE	2
22	ABD00001	BALE DAMPER SLIDE	1
23	CFA00128	NUT M16 NYLOC	4
24	CFA00151	BOLT M16X40 Z/P	4

No.	Part No	Description	Qty
-----	---------	-------------	-----

www.edanex.pl

Bale damper side tip (274)

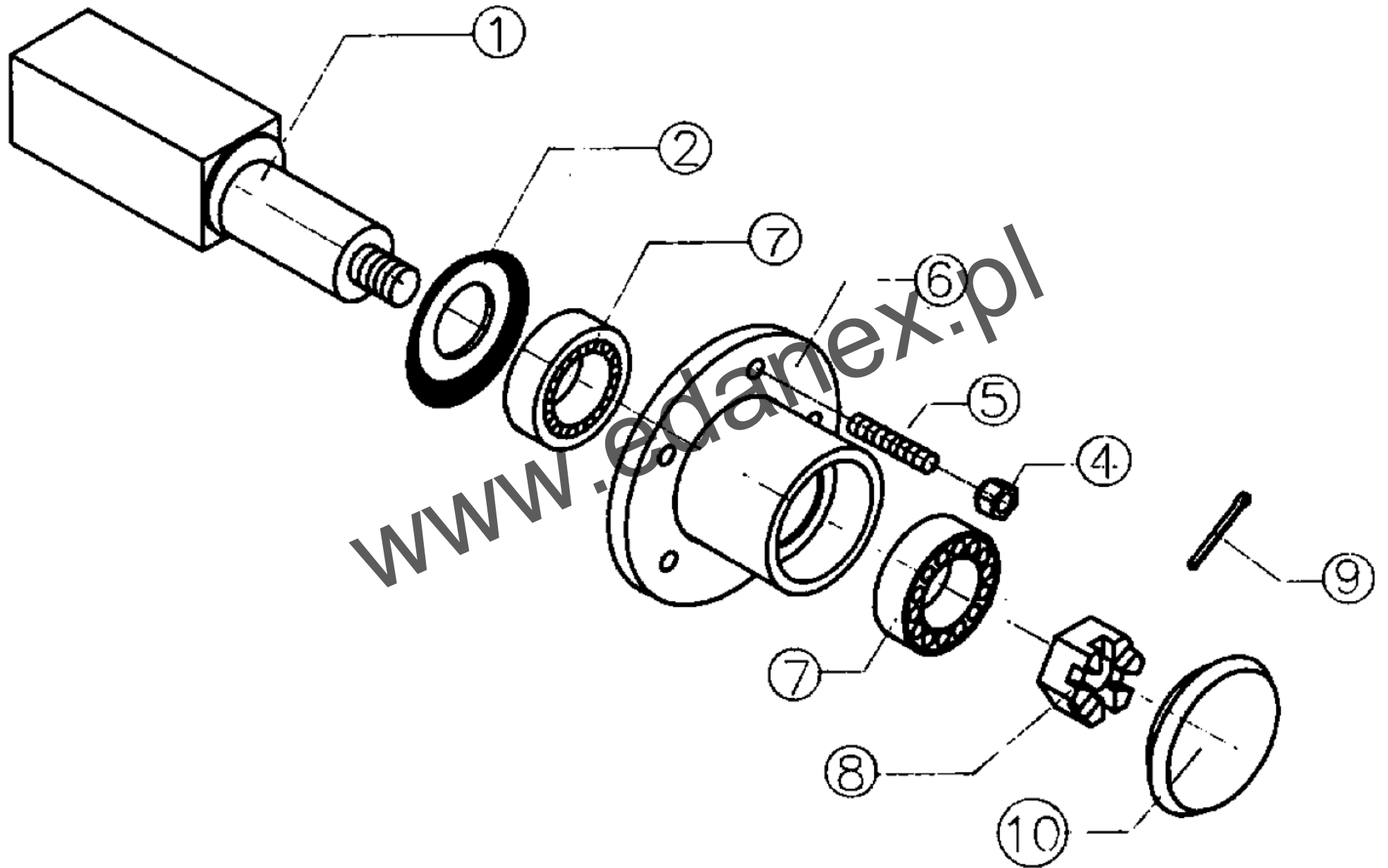


No.	Part No	Description	Qty
1	ABD00006	BALE DAMPER SIDE TIP FULL ASSEMBLY	1
1	ABD00008	SIDE TIP BALE DAMPER FRAME	1
2	CBE00002	RUBBER BUFFER M10 THREAD	1
3	CRA00038	BALE DAMPER CYLINDER COMPLETE	1
3	CSE00038	SEAL KIT BALE DAMPER CYLINDER	1
4	CMH00154	HINGE PIN 25X190&8mmC.HOLE	2
5	CMH00152	TIP ARM PIN 25X80&8mmC.HOLE	1
6	CFA00010	ROLL PIN 8X50 Z/P	1
7	CMH00063	ROLLER SIDE TIP ARM	1
8	CMH00095	TOP RAM PIN 25X106&8mm C.HOLE	1
9	ABD00009	SIDE TIP ARM ASSEMBLY	1
10	CFA00128	NUT M16 NYLOC	1
11	ABD00011	LATCH SIDE TIP DAMPER	1
12	CFA00116	BOLT M16X50 Z/P	1
13	CFA00078	BOLT M12X30 CUP SQ.Z/P	2
14	CFA00194	D-CLIP	1
15	CBE00009	BALE MAT SIDE TIP	1
16	CTP00002	PLATE SIDE TIP	1
18	CSG00006	SPRING SIDETIP	1
19	CBE00002	RUBBER BUFFER M10 THREAD	2
21	ABD00007	SIDE TIP MAT FRAME	1
22	ABD00001	BALE DAMPER SLIDE	1
23	CFA00128	NUT M16 NYLOC	1
24	CFA00151	BOLT M16X40 Z/P	4
25	CMH00066	BOTTOM RAM PIN 25X130&8mm C.HOLE	1
26	CMH00146	PIVOT PIN 25X490&8mm C.HOLE Z/P	1
27	CFA00010	ROLL PIN 8X50 Z/P	1
*	ABD00002	SIDE TIP DAMPER EXTENSION PIECE	1

No.	Part No	Description	Qty
-----	---------	-------------	-----

www.edanex.pl

Axle (275)

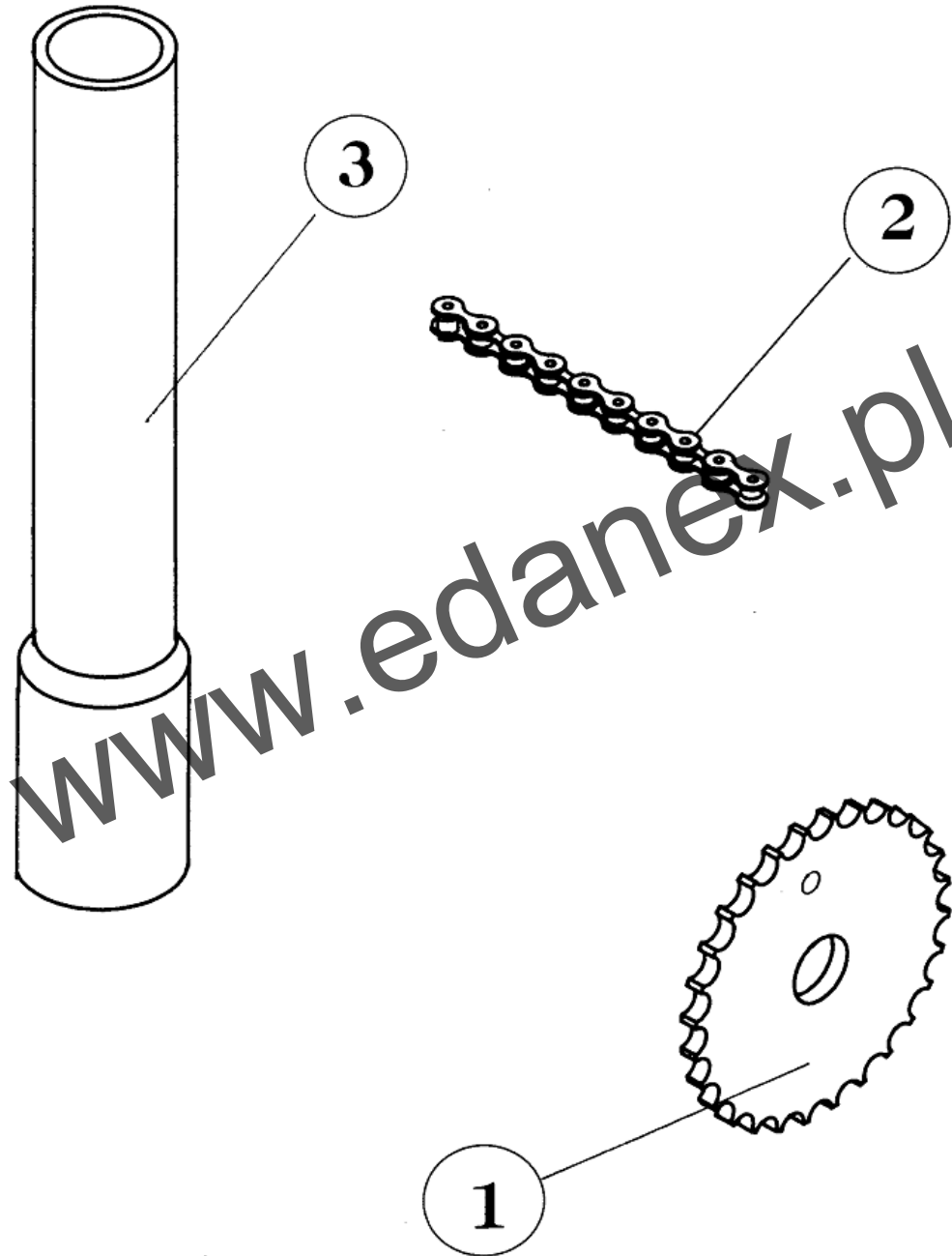


No.	Part No	Description	Qty
1	CAX00002	AXLE 60mm SQ. 6 STUD	1
2	CSE00079	SEAL AXLE HUB 6 STUD	2
4	CFA00121	WHEEL NUT 6 STUD AXLE	12
5	CFA00235	WHEEL STUD 6 STUD AXLE	12
6	CAX00009	WHEEL HUB 6 STUD AXLE	2
7	ACH00036	WHEEL BEARING KIT 6 STUD AXLE	2
8	CAX00010	CASTLE NUT 6 STUD AXLE	2
9	CFA00013	SPLIT PIN	2
10	CAX00011	HUB CAP 6 STUD AXLE	2

No.	Part No	Description	Qty
-----	---------	-------------	-----

www.edanex.pl

500mm conversion kit (276)



No.	Part No	Description	Qty
	ADP00022	500mm CONVERSION KIT	1
1	CMH00058	SPROCKET PLATE WHEEL 45 TOOTH	1
2	CCH00001	CHAIN EXT. PIECE 12B 3/4" PITCH 9 LINK	1
3	CPL00006	PLASTIC PIPE	1

No.	Part No	Description	Qty
-----	---------	-------------	-----

www.edanex.pl

Hydraulic & Electrical 1 (277)



No.	Part No	Description	Qty
2	CEL00088	AUTO CONTROL RDS EXPERT BOX	1
3	CVA00001	VALVE CONTROL 4 BANK ELECTRONIC	1
4	CEL00008	PRESSURE SWITCH 135 BAR (2000PSI)	1
5	CVA03009	BLOW OFF VALVE 60 BAR	2
6	CEL00012	ELECTRONIC REMOTE RECEIVER	1
7	CEL00013	ELECTRONIC REMOTE HAND PIECE	1
8	CVA03000	SLOW SPEED VALVE DANFOSS OMS	1
10	CEL00087	LOOM AUTO ELECTRONIC (37 PIN)	1
10	CEL00086	LOOM EXTENSION 7 M (37 PIN)	1
10	CEL00115	LOOM EXTENSION 4 M (37 PIN)	1
10	CEL00085	LOOM EXTENSION 1.5 M (37 PIN)	1
10a	CEL00003	LOOM AUTO ELECTRONIC BALEWRAP <i>THIS IS USED WITH OLD TOGGLE-SWITCH 24 PIN AUTO CONTROL-BOX (PRE-EXPERT)</i>	1
10b	CEL00658	991 AUTO EXPERT ADAPTOR <i>THIS IS USED TO ADAPT OLDER MACHINES (WITH 24 PIN CONNECTOR) TO USE THE (37 PIN) EXPERT CONTROL BOX (ITEM 2)</i>	1
11	CEL00004	SPEED SENSOR CABLE 3.6M <i>CEL00215 UNIVERSAL MAGNETIC SENSOR IS A SUITABLE REPLACEMENT FOR THIS PART. ALL McHale MAGNETIC SENSORS ARE INTERCHANGEABLE, DEPENDENT ONLY ON CABLE LENGTH</i>	3
12	CEL00036	SPEED SENSOR CABLE 5M <i>CEL00215 UNIVERSAL MAGNETIC SENSOR IS A SUITABLE REPLACEMENT FOR THIS PART. ALL McHale MAGNETIC SENSORS ARE INTERCHANGEABLE, DEPENDENT ONLY ON CABLE LENGTH</i>	1
13	CEL00017	MAGNET	1
14	CMH00224	MAGNET SPACER	1
15	CVA03003	RESTRICTOR SEQUENCE VALVE	1
16	CVA03002	SEQUENCE VALVE	1
17	CVA03007	RESTRICTOR	1
18	CPL00012	VACUUM PAD MULTIRACK	1
19	CVA00025	DIVERTER VALVE FLOW REGULATOR	1

No.	Part No	Description	Qty
-----	---------	-------------	-----