

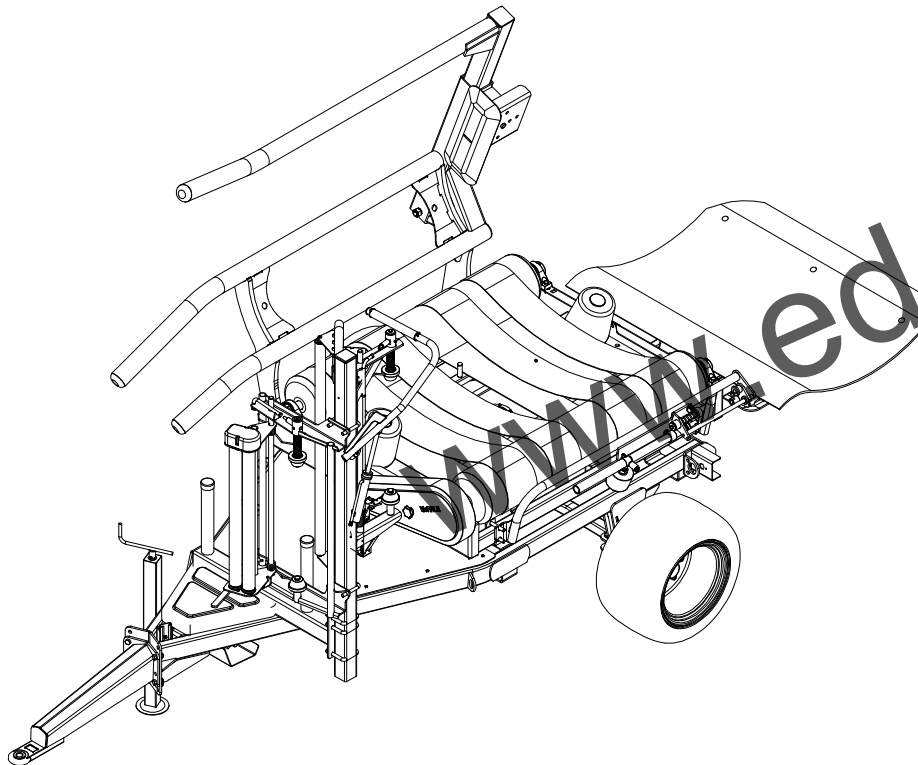
# **McHale** *ENGINEERING LTD.*



QUALITY

I.S. EN ISO 9001:2008

**NSAI Certified**



## **991 High Speed Spare Parts Book**

McHale Engineering Limited,  
Castlebar Rd, Ballinrobe,  
Co. Mayo, Ireland.  
Tel: +353 94 9520300  
Fax: +353 94 9520356  
Email: [sales@mchale.net](mailto:sales@mchale.net)  
Website: [www.mchale.net](http://www.mchale.net)

---

[www.edanex.pl](http://www.edanex.pl)

This page is intentionally left blank

---

McHale 991 High Speed

---

## Introduction

---

The **McHale 991 High Speed** which you have purchased has been developed through years of constant research and development. Given proper care and attention the **991 High Speed** will give years of reliable and dependable performance. However it is important that the operators manual is read and fully understood to achieve this, **before** the machine is operated. As part of this philosophy it is vital to use only **genuine McHale** replacement parts, as these are manufactured to the same high standard as the original machine. These may be obtained through your **McHale** dealer.

If any part of this manual is not fully understood, please contact your **McHale** dealer who will be able to answer any questions or queries that you might have. It is important to quote the machine serial number when requiring spare parts or technical assistance. Space is provided below to record the machine details:

<b>Serial number:</b>	
<b>Year of manufacture:</b>	
<b>Date of delivery:</b>	

If you require further copies of this spare parts manual please  
quote part number CLT00278

**Note:** Parts described as left and right are done so according to the direction that the machine normally travels in.

**Note:** Due to a policy of continuous product development and improvement *McHale Engineering Ltd* reserve the right to alter machine specifications without prior notice.

---

## Contents

---

Section	Document No	Section	Document No
<b>Chassis</b>			
Main chassis (233)	SPD00233		
Sub chassis (573)	SPD00573		
Gearbox (570)	SPD00570		
Rotary table (571)	SPD00571		
Cut & Hold (572)	SPD00572		
Lift arm (237)	SPD00237		
Axle & Wheels (243)	SPD00243		
Dispenser post holder	SPD00696		
Dispenser post (574)	SPD00574		
Dispenser rollers (575)	SPD00575		
Bale damper standard (241)	SPD00241		
Bale damper side tip (242)	SPD00242		
<b>Hydraulic &amp; Electrical</b>			
Hydraulic assembly (576)	SPD00576		
Hydraulic control valve (715)	SPD00715		
Hydraulic components (579)	SPD00579		
Electrical assembly (581)	SPD00581		
Electrical lighting 991B (261)	SPD00261		
Remote control option (577)	SPD00577		

---

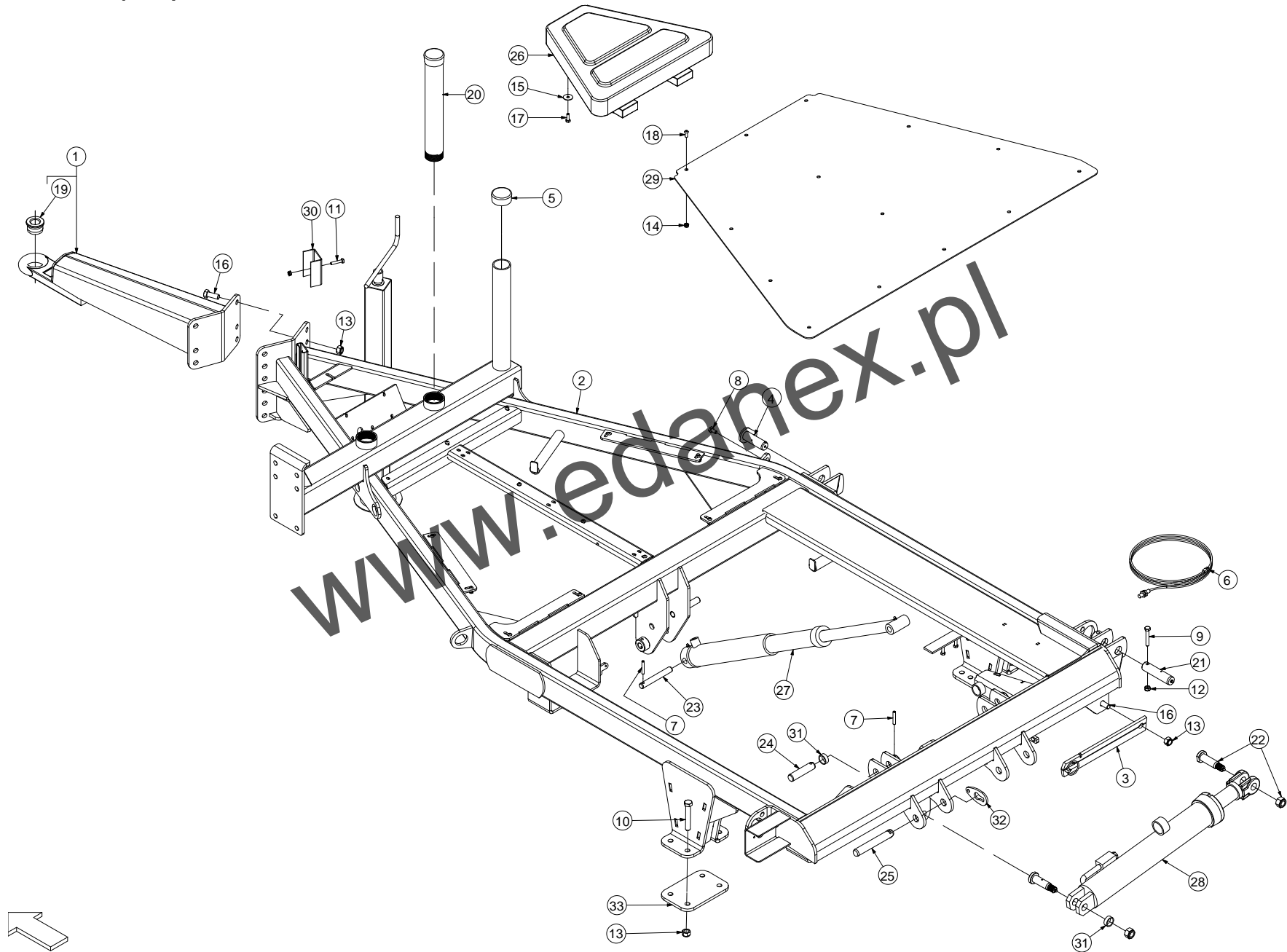
[www.edanex.pl](http://www.edanex.pl)

This page is intentionally left blank

---

McHale 991 High Speed

# Main chassis (233)

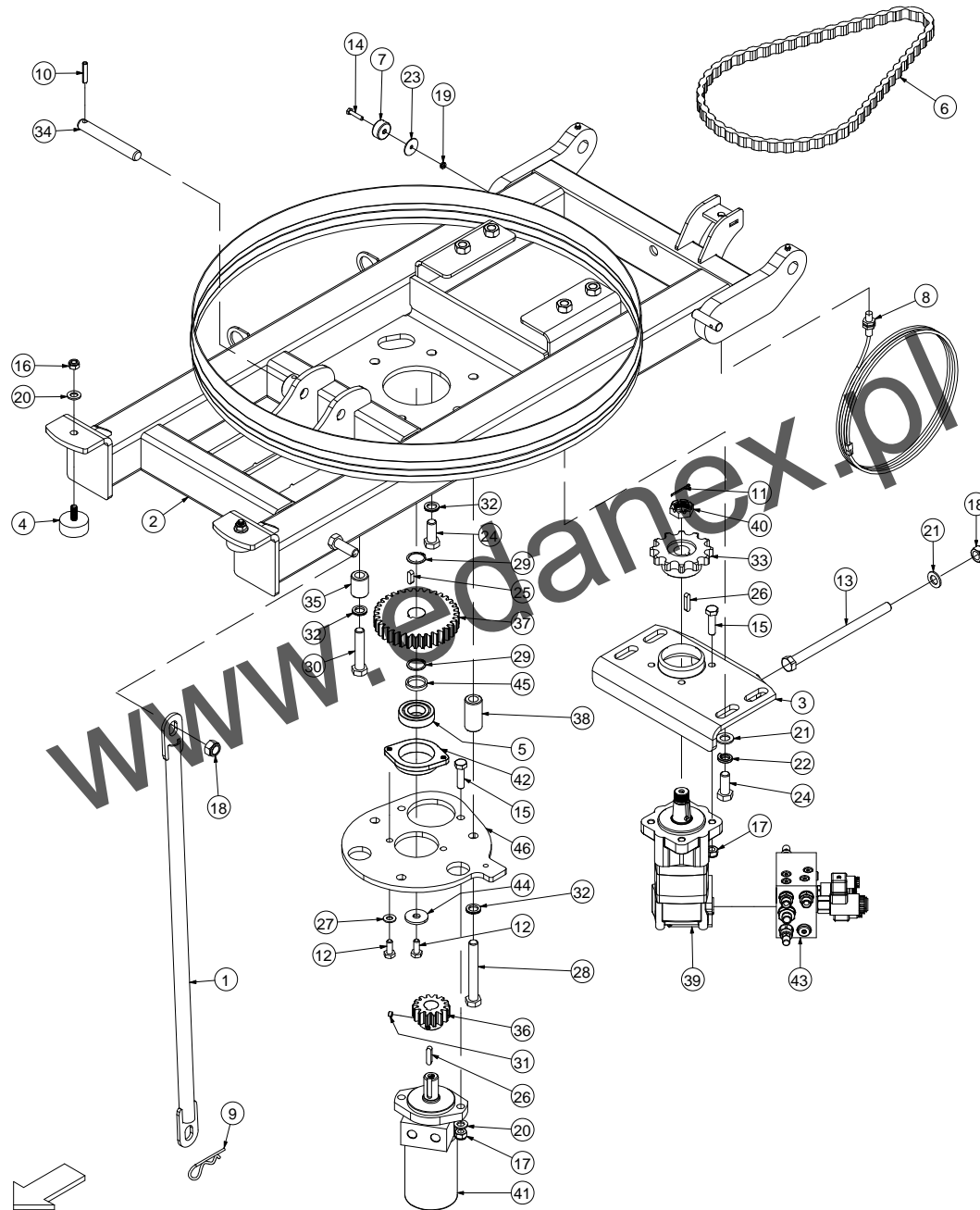


No.	Part No	Description	Qty
1	ACH00008	DRAWBAR HITCH EYE STANDARD	1
2	ACH00079	TRAILED CHASSIS 991B	1
3	ALA00005	LIFTARM SAFETY BAR	1
4	ALA00034	PIN 991 LIFTARM HINGE Z/P	1
5	CBC00007	CAP BLACK PLASTIC 2.3/8" OSF	2
6	CEL00036	SENSOR CABLE 5M	1
7	CFA00010	ROLL PIN 8X50 Z/P	3
8	CFA00018	SETSCREW M10X20	1
9	CFA00028	BOLT M10X65 Z/P	1
10	CFA00040	BOLT M16X100 Z/P	8
11	CFA00100	BOLT M8X40 Z/P	1
12	CFA00123	NUT M10 NYLOC	1
13	CFA00128	NUT M16 NYLOC	15
14	CFA00132	NUT M8 NYLOC Z/P	15
15	CFA00149	WASHER MUDWING M8 31.75OD	1
16	CFA00151	SETSCREW M16X40 Z/P	7
17	CFA00407	BOLT M8X25 Z/P	1
18	CFA00429	SETSCREW M8X20 BUTTON HEAD Z/P	14
19	CMH00010	BUSH HITCH EYE	1
20	CMH00014	TUBE 60X614 THREAD	1
21	ALA00007	KIT LIFT ARM HINGE PIN	1
22	ALA00008	KIT LIFT ARM RAM PIN	2
23	CMH00068	PIN 19X140&8MM Z/P	1
24	CMH00095	PIN 25X106&8MM Z/P	2
25	CMH00403	PIN 25X170 Z/P MILLED FOR CAP	2
26	CPL00021	VALVE COVER 991BE PLAS	1
27	CRA00019	RAM TIP TABLE 2 STAGE 991B	1
27a	CSE00019	SEAL KIT TABLE TIP 2 STAGE	1
28	CRA00020	RAM 80X50 BALE LIFT ARM 991B	1
28a	CSE00020	SEAL KIT 80MM RAM	1
28b	CRA10020	RAM ROD LIFTARM	1
28c	CRA00145	RAM CAP FOR CYLINDER CRA00020	1
28d	CRA00131	SEAL GLAND TOP 80MM RAM	1
28e	CRA00135	SEAL GLAND BOTTOM 80MM RAM	1
28f	CVA00035	CTE CHECKVALVE MCHALE 20	1
29	CTP00005	PLATE CHECKERED GALV	1
30	CTP00015	CABLE CLAMP3MM CHANNEL140X100	1
31	CXT00016	TUBE 33.7X3X12	3
32	CZF00292	6MM L CAP LONG FOR 25MM PINS	2
33	CZH00105	10MM L TRAILED CHASSIS	2

No.	Part No	Description	Qty
-----	---------	-------------	-----

www.edanex.pl

**Sub chassis (573)**



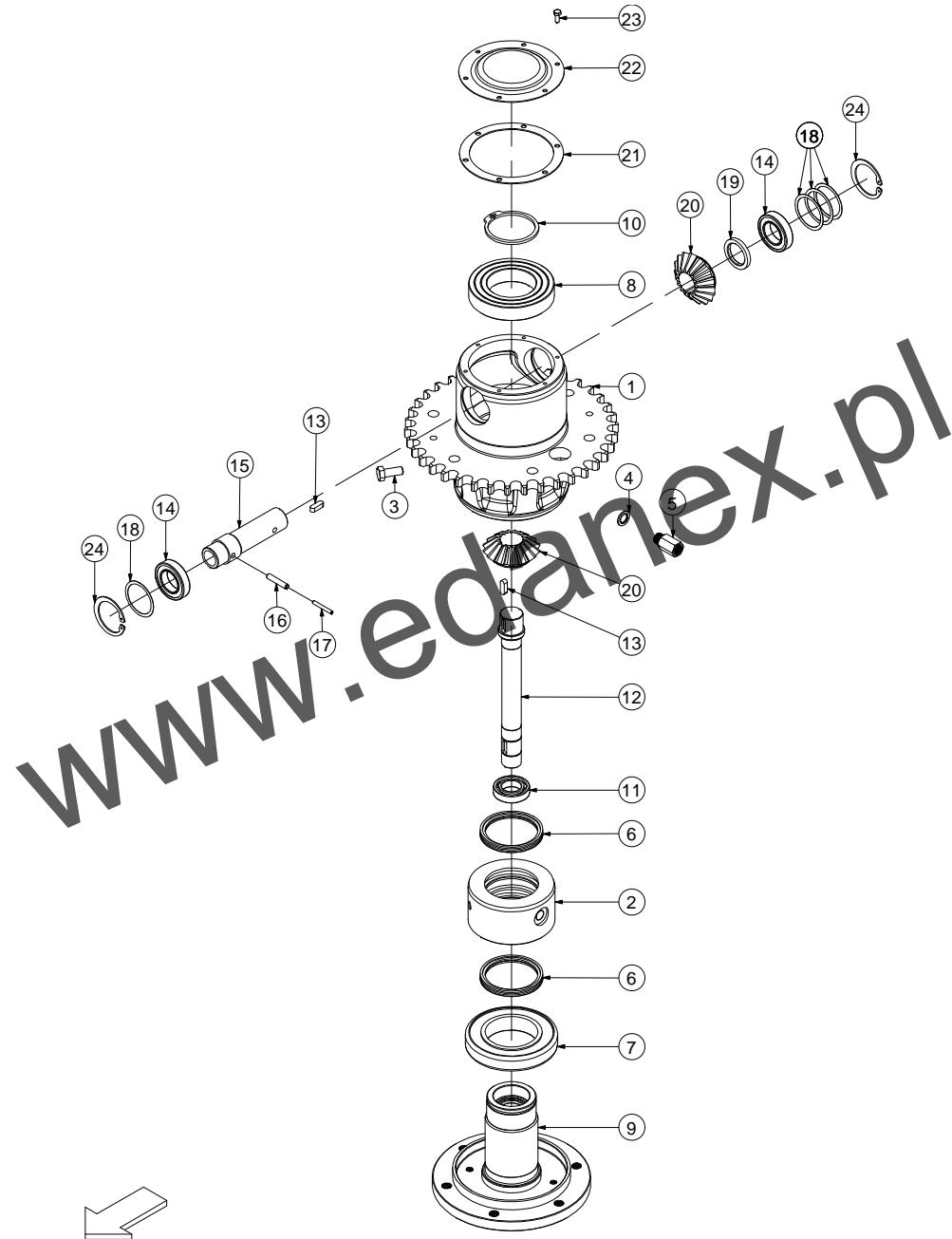


No.	Part No	Description	Qty
1	ACH00007	SAFETY BAR TRAILED	1
2	ACH00010	SUB CHASSIS FRAME TRAILED ASY	1
3	ACH00020	MOTOR ADJUSTING PLATE TRAILED	1
4	CBE00002	BUFFER RUBBER 50X21 M10X28	2
5	CBR00024	BEARING 62062RS	1
6	CCH00003	CHAIN KIT 16B 1"PITCH 47LINKS	1
7	CEL00017	MAGNET BLUE WHEEL	1
8	CEL00036	SENSOR CABLE 5M	1
9	CFA00004	R-CLIP 4MM	1
10	CFA00009	ROLL PIN 8X40	1
11	CFA00021	SPLIT PIN 4X50 Z/P	1
12	CFA00024	SETSCREW M10X25 Z/P	3
13	CFA00041	BOLT M16X240	1
14	CFA00047	SETSCREW M6X30 Z/P	1
15	CFA00079	BOLT M12X45	6
16	CFA00123	NUT M10 NYLOC	2
17	CFA00124	NUT M12 NYLOC	6
18	CFA00128	NUT M16 NYLOC	2
19	CFA00131	NUT M6 NYLOC	1
20	CFA00138	WASHER FLAT 12MM Z/P	4
21	CFA00140	WASHER FLAT 16MM Z/P	5
22	CFA00141	WASHER SPRING M16 HEAVY DUTY	4
23	CFA00145	WASHER MUDWING M6 32MM OD	1
24	CFA00151	SETSCREW M16X40 Z/P	5
25	CFA00154	KEY 8 X 7 X 25	1
26	CFA00157	KEY 8 X 7 X 35	2
27	CFA00201	WASHER FLAT 10 MM Z/P	2
28	CFA00209	BOLT M16X120 Z/P	3
29	CFA00402	CIRCLIP 30MM EXTERNAL	2
30	CFA00498	BOLT M16 X 80 Z/P	3
31	CFA00613	GRUBSCREW M8X6	2
32	CFA00783	WASHER NL16 NORD-LOCK	6
33	CMH00061	SPROCKET 1" PITCH 12T TAPPED	1
<i>UP TO SERIAL NO. 58613</i>			
33	CMH00177	SPROCKET 1" PITCH 10T TAPPED	1
<i>FROM SERIAL NO. 58614</i>			
34	CMH00068	PIN 19X140&8MM Z/P	1
35	CMH01028	BUSH 17X30X39	3
36	CMH01202	GEAR SPUR 14T MOD 4	1
37	CMH01203	GEAR SPUR 35T MOD 4	1
38	CMH01205	BUSH 17X30X60	3

No.	Part No	Description	Qty
39	CMT00002	MOTOR 250CC 4BOLT 1 1/4"TAPERE	1
40	CMT00015	NUT CASTLE ALL MOTOR SHAFTS	1
41	CMT00050	MOTOR 320-330CC 2BOLT 25SHAFT	1
<i>UP TO SERIAL NO. 58613</i>			
41	CMT00068	MOTOR 390CC 25SHAFT 2BOLT	1
<i>FROM SERIAL NO. 58614</i>			
42	CTP00255	BEARING HOUSING REEL	1
43	CVA00341	VALVE SLOW SPEED 991BE TWIN DISP	1
44	CZD04329	4MM L WASHER 12.5X40X4	1
45	CZF02933	6MM L WASHER 30X37X6 Z/P	1
46	CZH03497	10MM L MOTOR BRACKET PART	1

www.edanex.pl

**Gearbox (570)**

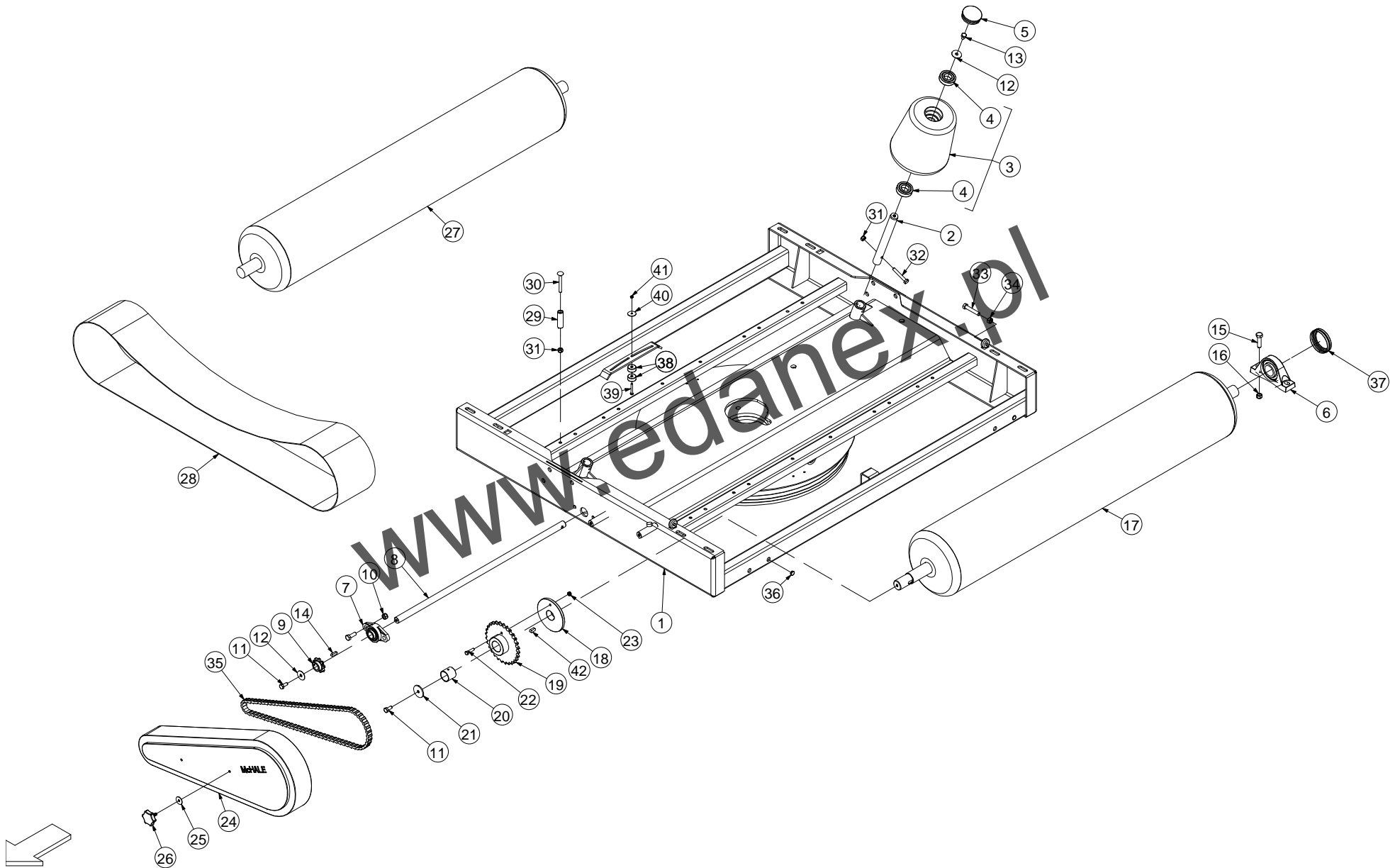


No.	Part No	Description	Qty
1	ACH00034	GEARBOX HOUSING	1
2	CMH00032	SEAL BLOCK WRAPPER GEARBOX	1
3	CFA00032	SETSCREW M12X30 Z/P	2
4	CHY00020	WASHER DOWTY 3/8"	1
5	CHY02001	ADAPTOR 3/8" BSP M/F	1
6	CSE00001	SEAL GEARBOX 991	2
7	CBR00003	BEARING 62162RS	1
8	CBR00002	BEARING 6215 2RS	1
9	CMH01192	SHAFT 80X182.5 STEPPED	1
10	CFA00704	CIRCLIP 75MM EXTERNAL HEAVY	1
11	CBR00256	BEARING 6006 2RS	1
12	CMH01193	SHAFT 40X324 STEPPED KEYWAY	1
13	CFA00154	KEY 8 X 7 X 25	2
14	CBR00001	BEARING 6007 2RS	2
15	CMH00018	SHAFT 35X105 STEPPED&KWAYS	1
16	CFA00009	ROLL PIN 8X40	1
17	CFA00006	ROLL PIN 5X40	1
18	CFA00213	SHIM 50X62X0.3	4
19	CMH00064	SHIM GEARBOX	1
20	CMH02327	BEVEL GEAR MOD5 16T	2
21	CSE00006	GASKET 128X158&6X8MM C.HOLES	1
22	CZB02365	GEARBOX COVER PLATE	1
23	CFA00045	SETSCREW M6X16	6
24	CFA00002	CIRCLIP	2

No.	Part No	Description	Qty
-----	---------	-------------	-----

www.edanex.pl

# Rotary table (571)

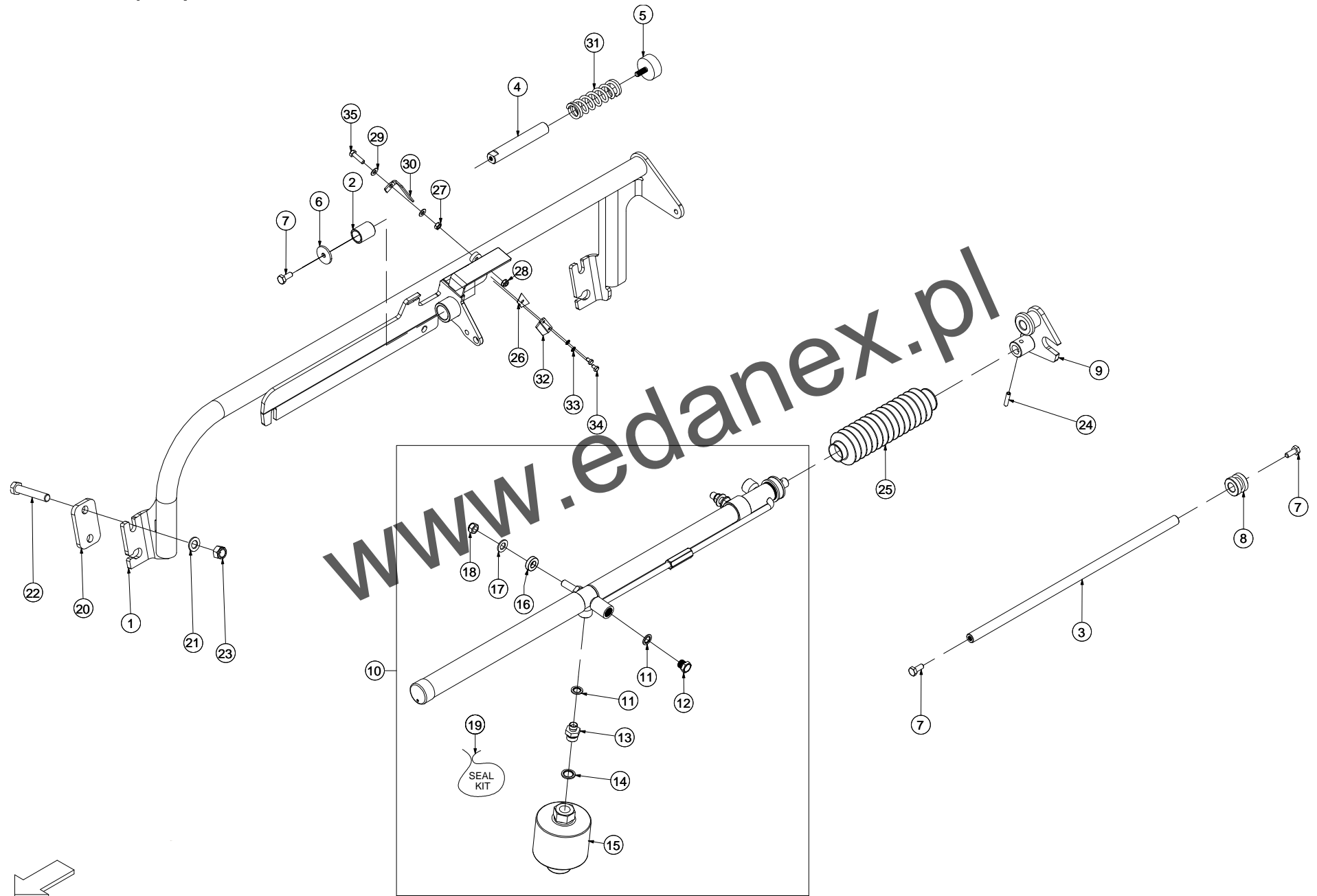


No.	Part No	Description	Qty
1	ART00333	TABLE WELD ASSY TWIN DISPENSER	1
2	CMH01183	PIN 30X285 BOBBIN AXLE	2
3	CPL00008	BOBBIN STANDARD	1
4	CBR00024	BEARING 62062RS	2
5	CBC00008	CAP PLASTIC INSERT 75MM	1
6	CBR00005	BEARING PILBLK 1 3/4" 350 NP28	4
7	CBR00006	BEARING FLANGE 25MM 2BOLT	1
8	CMH00021	CROSS SHAFT 991	1
<i>LATEST VERSION (with keyways on both ends) REPLACES CMH01244 (Which is identical, but no longer available)</i>			
8	CMH01244	CROSS SHAFT 991	1
<i>NO LONGER AVAILABLE (Replaced by latest version of CMH00021 with keyways on both ends)</i>			
9	CMH00059	SPROCKET 3/4" PITCH 9T	1
10	CFA00124	NUT M12 NYLOC	2
11	CFA00024	SETSCREW M10X25 Z/P	2
12	CFA00134	WASHER MUDWING M10X38MM OD	3
13	CFA00022	SETSCREW M10X16 Z/P	2
14	CFA00359	KEY 8X7X30	1
15	CFA00038	BOLT M14X50	8
16	CFA00126	NUT M14 NYLOC	8
17	ART00004	TABLE DRIVING ROLLER	1
18	CMH00029	SHEAR BOLT FLANGE	1
19	CMH00060	SPROCKET 3/4" PITCH 28T	1
20	CBR00018	BEARING GLACIER PM 4040	1
21	CZD00121	4MM L CUT & TIE SPACER Z/P	1
22	CFA00055	BOLT M8X35 Z/P	1
23	CFA00132	NUT M8 NYLOC Z/P	1
24	CGD00003	GUARD CHAIN TABLE 991	1
25	CFA00149	WASHER MUDWING M8 31.75OD	2
26	CBC00002	HAND WHEEL M8X20	2
27	ART00003	TABLE IDLE ROLLER WELD ASSY	1
28	CBE00010	BELT SINGLE 96	4
29	CMH00001	BUSH 12X22X70	16
30	CFA00546	BOLT M10X85 CUP HEAD SQ Z/P	16
31	CFA00123	NUT M10 NYLOC	18
32	CFA00383	BOLT M10X70 Z/P	2
33	CFA00036	SETSCREW M12X70 Z/P	2
34	CFA00014	NUT M12	2
35	CCH00006	CHAIN KIT 12B 3/4" PITCH79LINK	1
36	CBC00014	PLUG BODY 16 X .08/2 MM	2
37	CBR00276	END CAP FOR UCPL20928	3
38	CEL00017	MAGNET BLUE WHEEL	4

No.	Part No	Description	Qty
39	CFA00801	SETSCREW M6X45	2
40	CFA00145	WASHER MUDWING M6 32MM OD	2
41	CFA00131	NUT M6 NYLOC	2
42	CFA00155	KEY 10 X 8 X 25	1

www.edanex.pl

**Cut & Hold (572)**

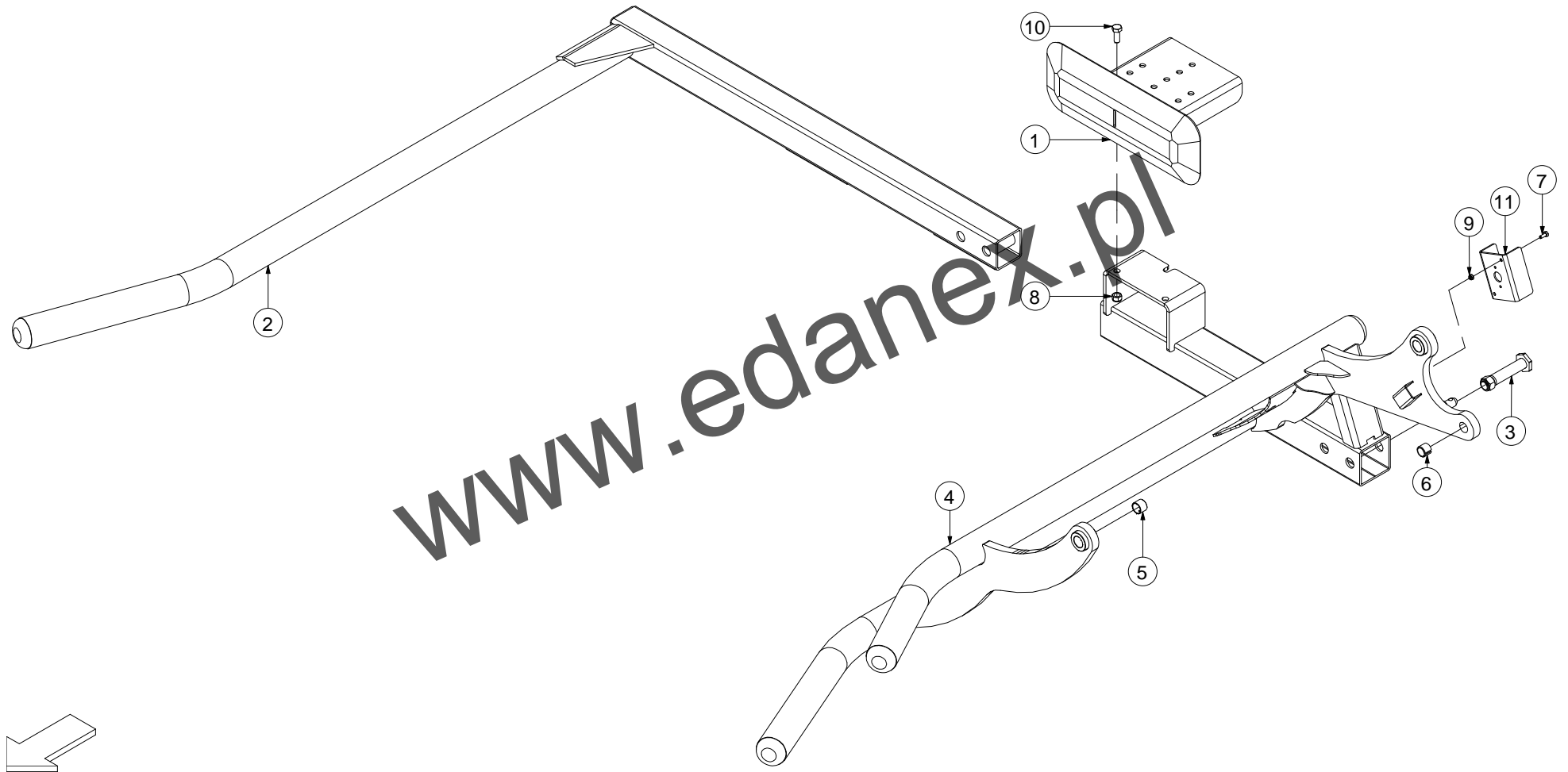


No.	Part No	Description	Qty
1	ACT00054	CUT AND HOLD WELD ASSY 991 TWIN	1
2	CBR00016	BEARING OLITE 25X32X40	1
3	CMH01250	GUIDE BAR 991T CUT AND HOLD	1
4	CMH00023	PIN 25X159 C.PLUNGER C&T	1
5	CBE00002	BUFFER RUBBER 50X21 M10X28	1
6	CZD00118	4MM L CUT& TIE SPACER	1
7	CFA00024	SETSCREW M10X25 Z/P	3
8	CMH00325	BUSH STEPPED 20X40X30 (NYLON)	1
9	ACT00009	FILM RETAINER CUT&HOLD COMBI	1
10	CRA00611	CUT + HOLD RAM 991T	1
11	CHY00020	WASHER DOWTY 3/8"	2
12	CHY02004	PLUG 3/8" BSP MALE	1
13	CHY02008	ADAPTOR 1/2" M 3/8" M	1
14	CHY00053	WASHER DOWTY 1/2"	1
15	CVA03011	ACCUMULATOR 0.7 LITRE 70 BAR	1
16	CMH00093	BUSH 14X30X8	1
17	CFA00222	WASHER FLAT 14MM Z/P	3
18	CFA00126	NUT M14 NYLOC	2
19	CSE00021	SEAL KIT CUT&HOLD	1
20	CZH00135	10MM L CUT & TIE	2
21	CFA00140	WASHER FLAT 16MM Z/P	4
22	CFA00794	BOLT M16 X 90	4
23	CFA00128	NUT M16 NYLOC	4
24	CFA00333	ROLL PIN 8X35	1
25	CBE00006	GAITOR CUT&HOLD RUBBER	1
26	CKN00011	KNIFE STANLEY BLADE CUT&HOLD	1
26	ACT00061	KNIFE STANLEY BLADE CUT&HOLD KIT	1
27	CFA00338	NUT M8	1
28	CFA00132	NUT M8 NYLOC Z/P	1
29	CFA00249	WASHER SKM8	2
30	CZC03306	3MM L CUT AND HOLD SAFETY	1
31	CSG00222	SPRING 150X25.4X5.4 YELLOW	1
32	CZC02012	3MM L 998 /COMBI KNIFE CLAMP	1
33	CFA00268	WASHER 6MM SHAKEPROOF	2
34	CFA00269	SETSCREW M6X10 Z/P	2
35	CFA00491	SETSCREW M8X30 Z/P	1

No.	Part No	Description	Qty
-----	---------	-------------	-----

www.edanex.pl

**Lift arm (237)**



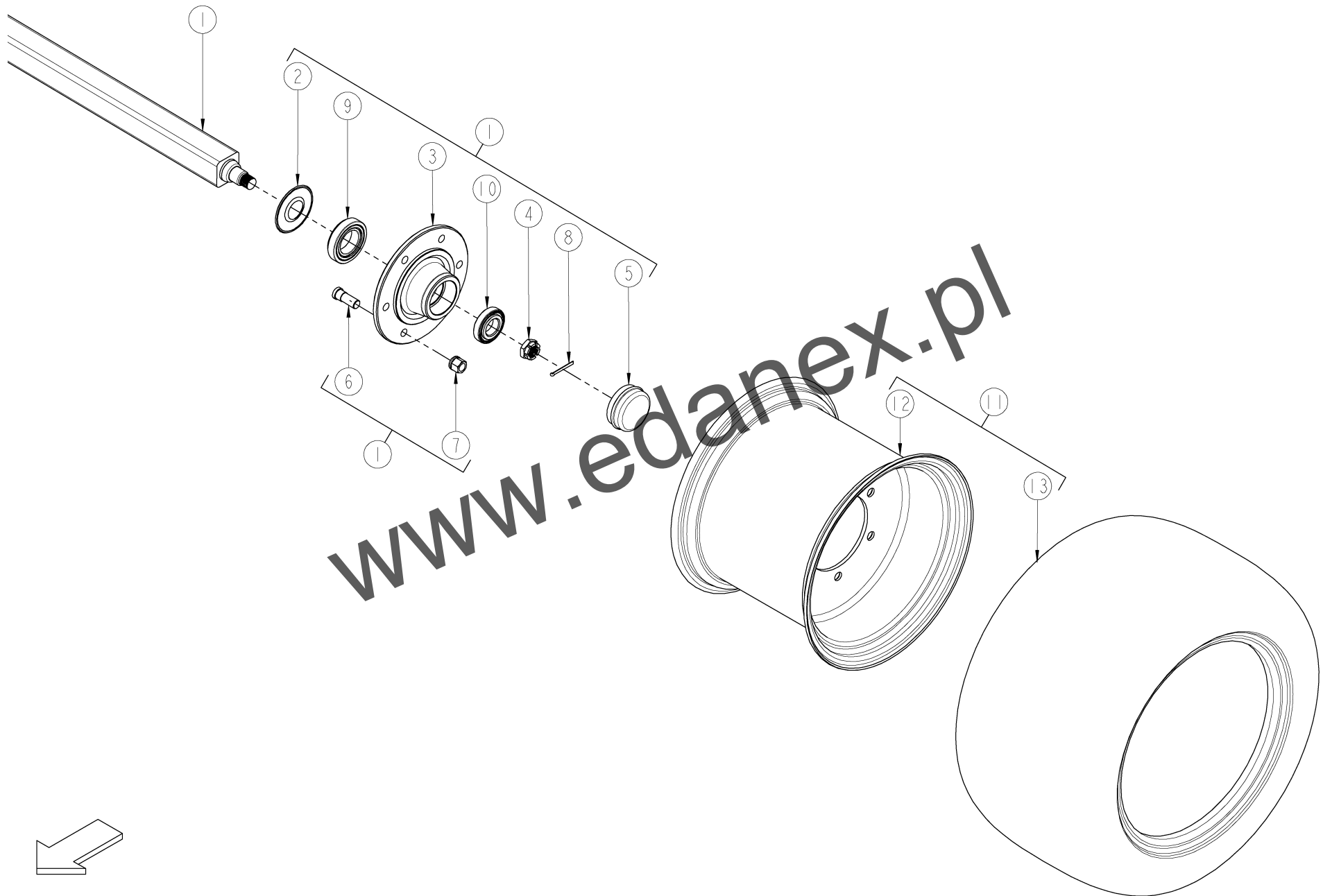


No.	Part No	Description	Qty
0	ALA00012	LIFT ARM 991 ASSEMBLY 4FT	1
1	ALA00002	LIFTARM BALE STOP	1
2	ALA00004	LIFTARM SLIDE ARM	1
3	ALA00010	KIT PINS LIFTARM 991B	1
4	ALA00044	LIFT ARM (1200MM WIDE BALE)	1
5	CBR00007	BEARING GLACIER PM 3025 DX	4
6	CBR00014	BEARING TENSION 1" X 1/1/4" X 1"	1
7	CFA00052	SETSCREW M8X20 Z/P	2
8	CFA00128	NUT M16 NYLOC	3
9	CFA00132	NUT M8 NYLOC Z/P	2
10	CFA00151	SETSCREW M16X40 Z/P	3
11	CZD00116	4MM L TRAILED LIGHT BRACKET	1

No.	Part No	Description	Qty
-----	---------	-------------	-----

www.edanex.pl

**Axle & Wheels (243)**

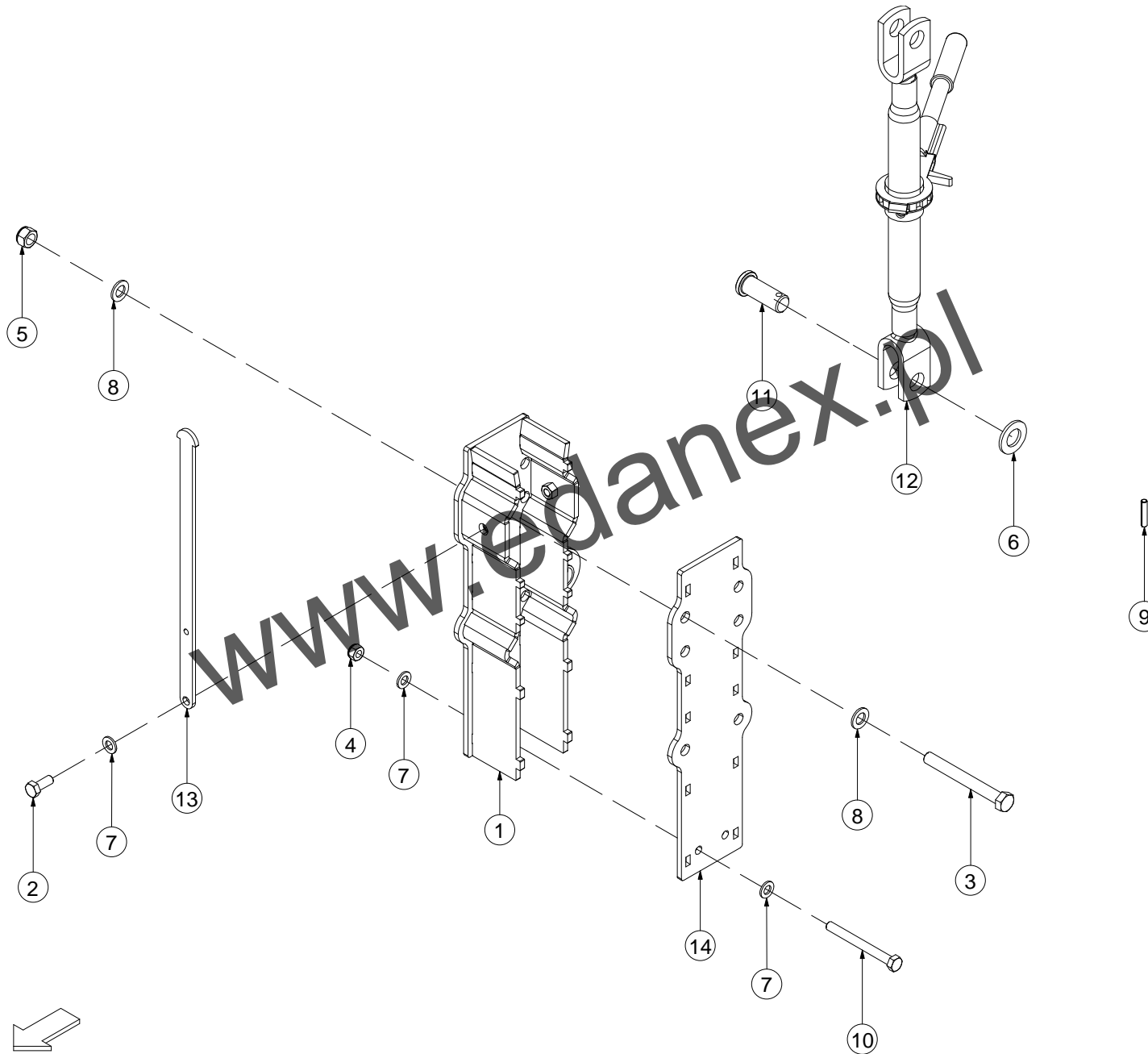


No.	Part No	Description	Qty
1	CAX00002	AXLE 60MM 6STUD 1900MM	1
<i>INCLUDES ITEMS 2 THROUGH 10</i>			
2	CSE00079	SEAL AXLE HUB 6STUD	2
3	CAX00009	HUB 6STUD 991	2
4	CAX00010	NUT CASTLE 6STUD 991	2
5	CAX00011	HUB CAP 6STUD 991	2
6	CFA00235	WHEEL STUD M10X1.5(FAD)	12
7	CFA00121	NUT WHEEL M8 6STUD AXLE	12
8	CFA00013	SPLIT PIN <50Z/P	2
9	CBR00028	BEARING 30210	2
10	CBR00027	BEARING 30207	2
11	CWH00022	WHEEL ASSEMBLY 350/50-16 FLOTATION+	2
11	CWH00009	WHEEL ASSEMBLY 31 X 15.5 SIX STUD	2
12	CWH00048	RIM 16X11 SIX STUD	2
12	CWH00018	RIM 15 X 13 SIX STUD	2
13	CWH00047	TYRE 350/50-16 FLOTATION+	2
13	CWH00004	TYRE 31X15.5-15	1

No.	Part No	Description	Qty
-----	---------	-------------	-----

www.edanex.pl

**Dispenser post holder**

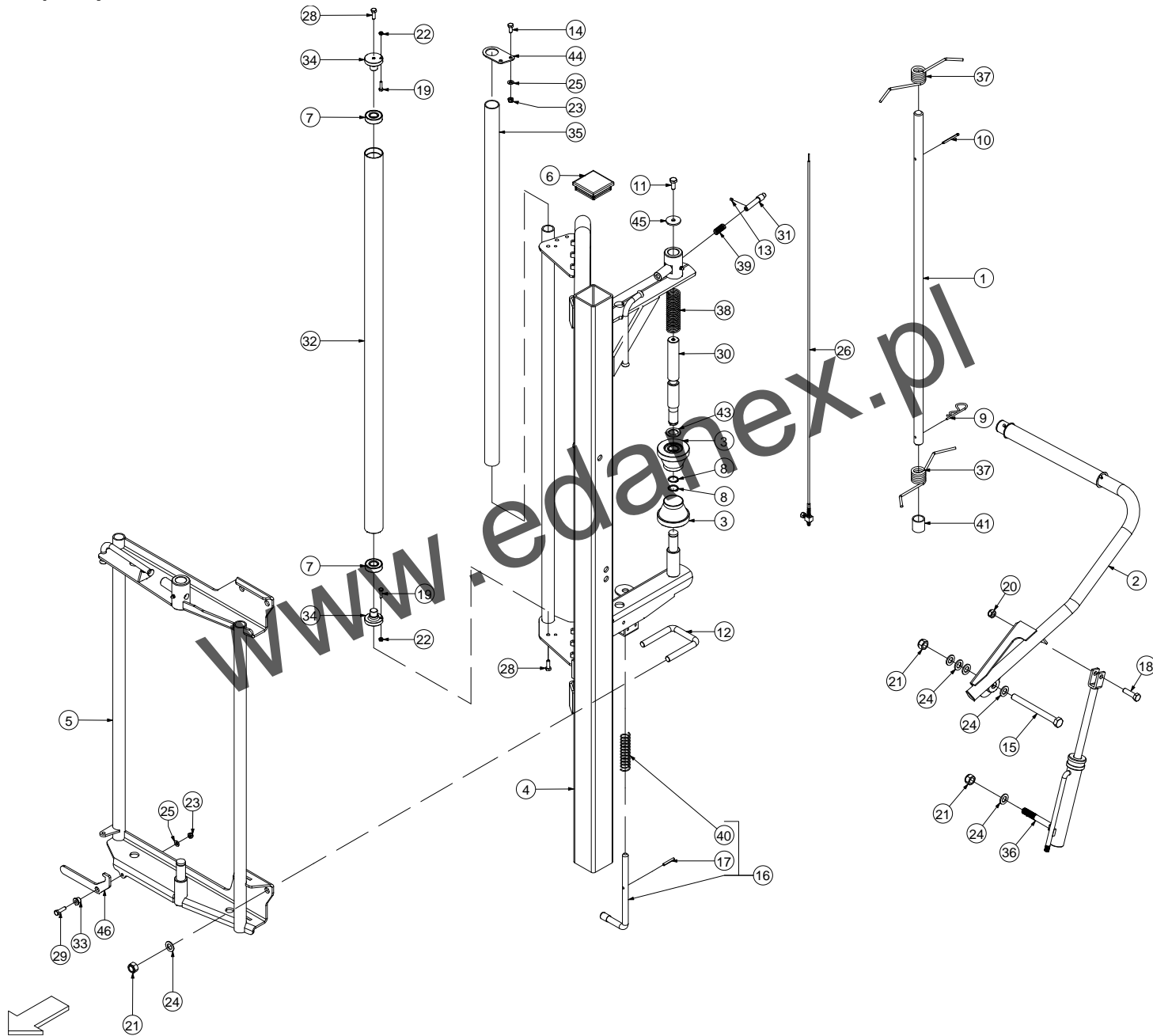


No.	Part No	Description	Qty
1	ADP00176	WELD ASSY POST HOLDER 991T	1
2	CFA00032	SETSCREW M12X30 Z/P	1
3	CFA00085	BOLT M16X140 Z/P	6
4	CFA00124	NUT M12 NYLOC	2
5	CFA00128	NUT M16 NYLOC	6
6	CFA00135	WASHER FLAT 1" Z/P	2
7	CFA00138	WASHER FLAT 12MM Z/P	5
8	CFA00140	WASHER FLAT 16MM Z/P	12
9	CFA00380	ROLL PIN 8X40 Z/P	2
10	CFA00517	BOLT M12X120 Z/P	2
11	CMH01307	PIN 30X25X72 8MM CH STEPPED Z/P	2
12	CTP00347	410MM CLEVIS END RACHET TOPLINK	1
13	CZF03295	6MM L TOPLINK STOP 991 HIGH SPEED	1
14	CZG02296	8MM L DISPENSER POST HOLDER 991T	1

No.	Part No	Description	Qty
-----	---------	-------------	-----

www.edanex.pl

# Dispenser post (574)

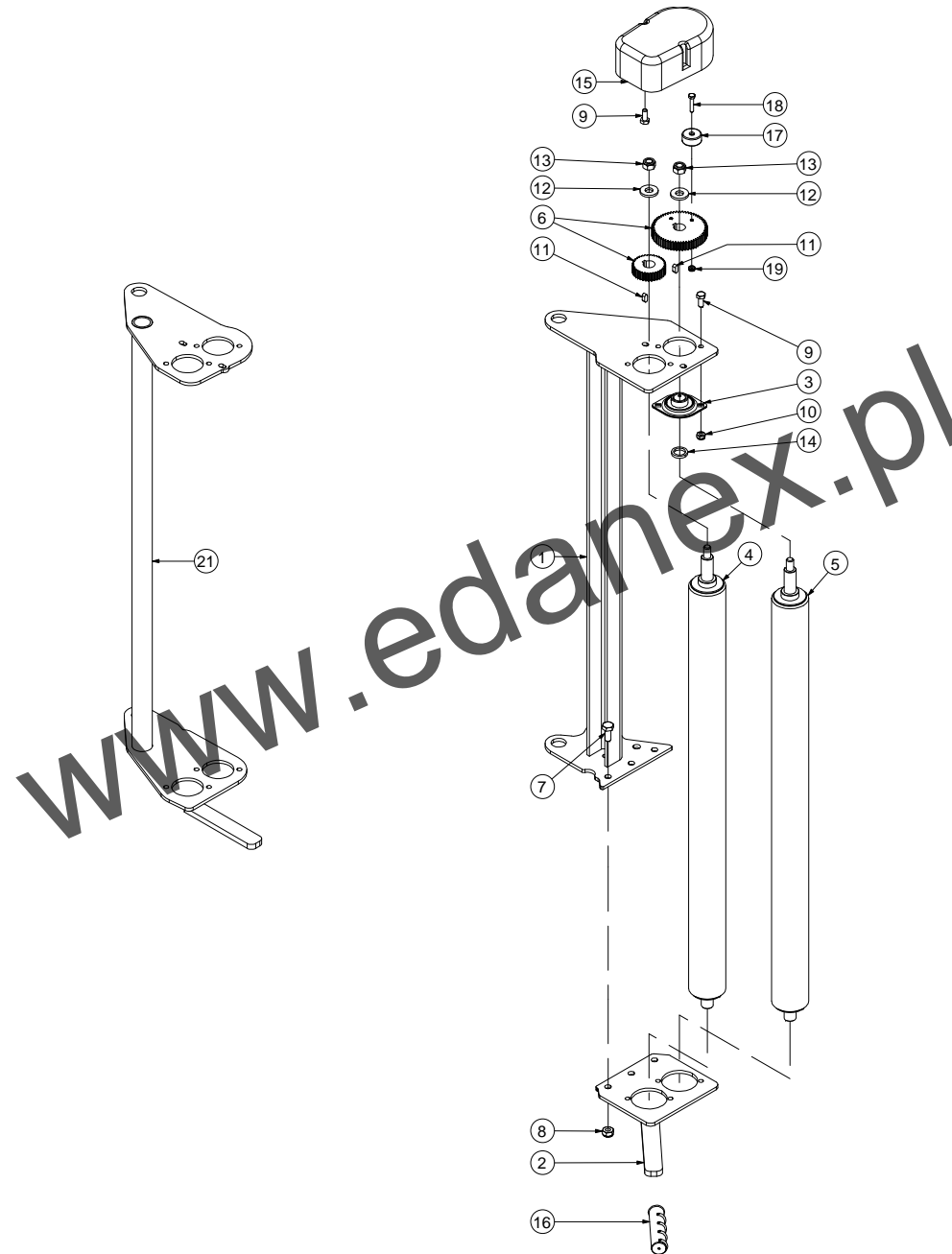


No.	Part No	Description	Qty
0	ADP00171	DISPENSER COMPLETE ASSY 991 TWIN	1
<i>INCLUDES ITEMS 1 THROUGH 46</i>			
1	ADP00005	DISPENSER POST SHAFT	2
2	ADP00006	PULL DOWN ARM LINKAGE	1
3	ADP00009	COIL ROLLER + BEARING DIS POST	4
4	ADP00155	TWIN DISPENSER POST WELD ASY.	1
5	ADP00168	DISPRNSER FRAME WELD ASSY	1
6	CBC00003		1
7	CBR00020	BEARING 6204 2RS	2
8	CFA00001	CIRCLIP 25MM EXTERNAL Z/P	4
9	CFA00004	R-CLIP 4MM	2
10	CFA00013	SPLIT PIN 5X50 Z/P	2
11	CFA00024	SETSCREW M10X25 Z/P	2
12	CFA00039	U BOLT M16X80X80 Z/P	2
13	CFA00050	GRUBSCREW M6X6	1
14	CFA00052	SETSCREW M8X20 Z/P	2
15	CFA00061	BOLT M16X170 Z/P	1
16	CFA00067	SPRING LATCH 5/8"	1
17	CFA00073	ROLL PIN 6X40	1
18	CFA00079	BOLT M12X45	1
19	CFA00098	SETSCREW M6X25 Z/P	2
20	CFA00124	NUT M12 NYLOC	1
21	CFA00128	NUT M16 NYLOC	6
22	CFA00131	NUT M6 NYLOC	2
23	CFA00132	NUT M8 NYLOC Z/P	3
24	CFA00140	WASHER FLAT 16MM Z/P	9
25	CFA00147	WASHER FLAT 8MM Z/P	3
26	CFA00206	CABLE ROLLER RELEASE DISP/POST	2
27	CFA00208	GRUBSCREW M6X6 Z/P	1
28	CFA00407	BOLT M8X25 Z/P	2
29	CFA00491	SETSCREW M8X30 Z/P	1
30	CMH00195	PIN 30X280 STEPPED Z/P	2
31	CMH00197	PIN 16X84 STEPPED Z/P	2
32	CMH00600	MACHINED TUBE FOR NET ROLLER	1
33	CMH00742	BUSH 8X20X13 ZINC PLATED	1
34	CMH01304	PIN 50X36 STEPPED M8 THREAD Z/P	2
35	CPL00127	C040X2.5X1200 991 PLASTIC ROLLER	1
36	CRA00591	RAM PULL DOWN ARM 991 TWIN	1
37	CSG00003	SPRING 5.89W/DX40OD6.125T/COIL	4
38	CSG00009	SPRING COMP 2.95X37X197X12	2
39	CSG00010	SPRING COMP 1.625X16X40X8	2

No.	Part No	Description	Qty
40	CSG00039	SPRING COMP 2.15X 21X 125X 14	1
41	CXT00104	TUBE 33.7X3X35	1
42	CXT00525	TUBE 33.7X3.2X20	2
43	CZC00112	3MM L DISPENSER SPACER	2
44	CZC03327	3MM L PLASTIC ROLLER BRKT 991T DIS	1
45	CZD00118	4MM L CUT& TIE SPACER	2
46	CZF05160	6MM L DISPENSER PART 991 TWIN	1

www.edanex.pl

**Dispenser rollers (575)**

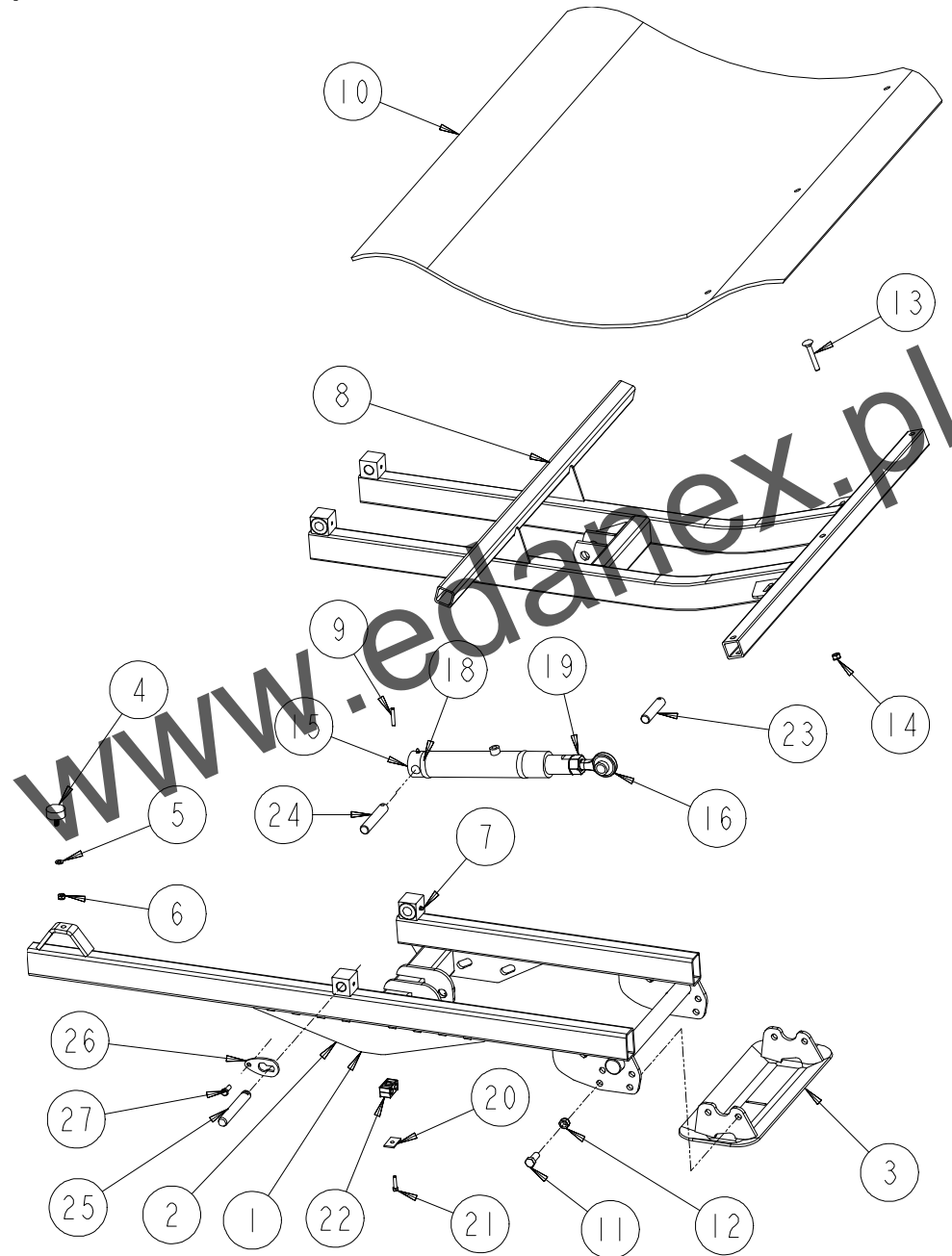




No.	Part No	Description	Qty
0	ADP00015	FILM DISPENSER ASSEMBLY 750MM	1
<i>INCLUDES ITEMS 1 THROUGH 19</i>			
1	ADP00010	DISPENSER FRAME WELD ASY.	1
2	ADP00004	DISPENSER BOTTOM PLATE	1
3	CBR00004	BEARING 20MM 2BOLT P/S FLANGE	4
4	CMH00034	ROLLER DISPENSER PRIMARY ALU	1
5	CMH00035	ROLLER DISPENSER SECONDARY ALU	1
6	ADP00018	KIT DISPENSER GEARS 70%	1
<i>STANDARD</i>			
6	ADP00019	KIT DISPENSER GEARS 55%	1
<i>HOT CLIMATES</i>			
6	ADP00085	KIT DISPENSER GEARS 32%	1
<i>ENDURO PLASTIC</i>			
7	CFA00024	SETSCREW M10X25 Z/P	3
8	CFA00123	NUT M10 NYLOC	3
9	CFA00052	SETSCREW M8X20 Z/P	10
10	CFA00132	NUT M8 NYLOC Z/P	8
11	CFA00153	KEY 6X6X15	2
12	CFA00139	WASHER FLAT 12MM H/D Z/P	2
13	CFA00124	NUT M12 NYLOC	2
14	CZD00114	4MM L DISPENSER SPACER	2
15	CGD00001	GUARD DISPENSER GEARS	1
16	CBC00012	CAP PLASTIC HANDGRIP 7/8"	1
17	CEL00017	MAGNET BLUE WHEEL	1
18	CFA00047	SETSCREW M6X30 Z/P	1
19	CFA00131	NUT M6 NYLOC	1
20	ADP00016	TWIN 2nd FILM DISPENSER ASSEMBLY 750MM	1
<i>INCLUDES ITEMS 2 THROUGH 19 &amp; 21</i>			
21	ADP00170	DISPENSER WELD ASSY 991 TWIN	1

No.	Part No	Description	Qty
-----	---------	-------------	-----

**Bale damper standard (241)**



No.	Part No	Description	Qty
1	ABD00003	BALE DAMPER STD FULL ASY	1
2	ABD00004	BALE DAMPER FRAME	1
3	ABD00001	BALE DAMPER SLIDE	1
4	CBE00002	BUFFER RUBBER 50X21 M10X28	1
5	CFA00201	WASHERFLATIOMMZ/P	1
6	CFA00123	NUT MI 0 NYLOC	1
7	CFA00118	GREASENIPPLEM8XI.25STRAIGHT	4
8	ABD00005	MAT FRAME STANDARD	1
9	CFA00010	ROLL PIN 8X50 ZIP	2
10	CBE00001	MAT STANDARD BALE DAMPER	1
11	CFA00151	SETSCREW MI6X4O ZIP	4
12	CFA00128	NUT M16 NYLOC	4
13	CFA00037	BOLTM12X8OCUPHEADZIP	3
14	CFA00124	NUT M12 NYLOC	3
15	CRA00038	RAM BALE DROPPER 50MM PLUNGER	1
16	CRA01038	RAM TOP - ADJUSTABLE	1
17	CFA00118	GREASE NIPPLE M8XI.25 STRAIGHT	1
18	CSE00038	SEAL KIT BALE DAMPER RAM	1
19	CRA00138	NUTRAMRODBALEDROPPER	1
20	CFA00183	HOSE CLAMP COVER PLATE 14MM	1
21	CFA00055	BOLTM8X35ZIP	1
22	CFA00182	HOSE CLAMP 16MM	1
23	CMH00184	PIN 25XIIO&8MM C.HOLE Z/P	1
24	CMH00066	PIN 25XI35&8MM C.HOLE	1
25	CMH00403	PIN25XI7OZIPMILLEDFORCAP	2
26	CZF00292	6MM L CAP LONG FOR 25MM RINS	2
27	CFA00230	SETSCREWMIOX3OZIP	2
28	CFA00123	NUT MI 0 NYLOC	2

No.	Part No	Description	Qty
-----	---------	-------------	-----

www.edanex.pl

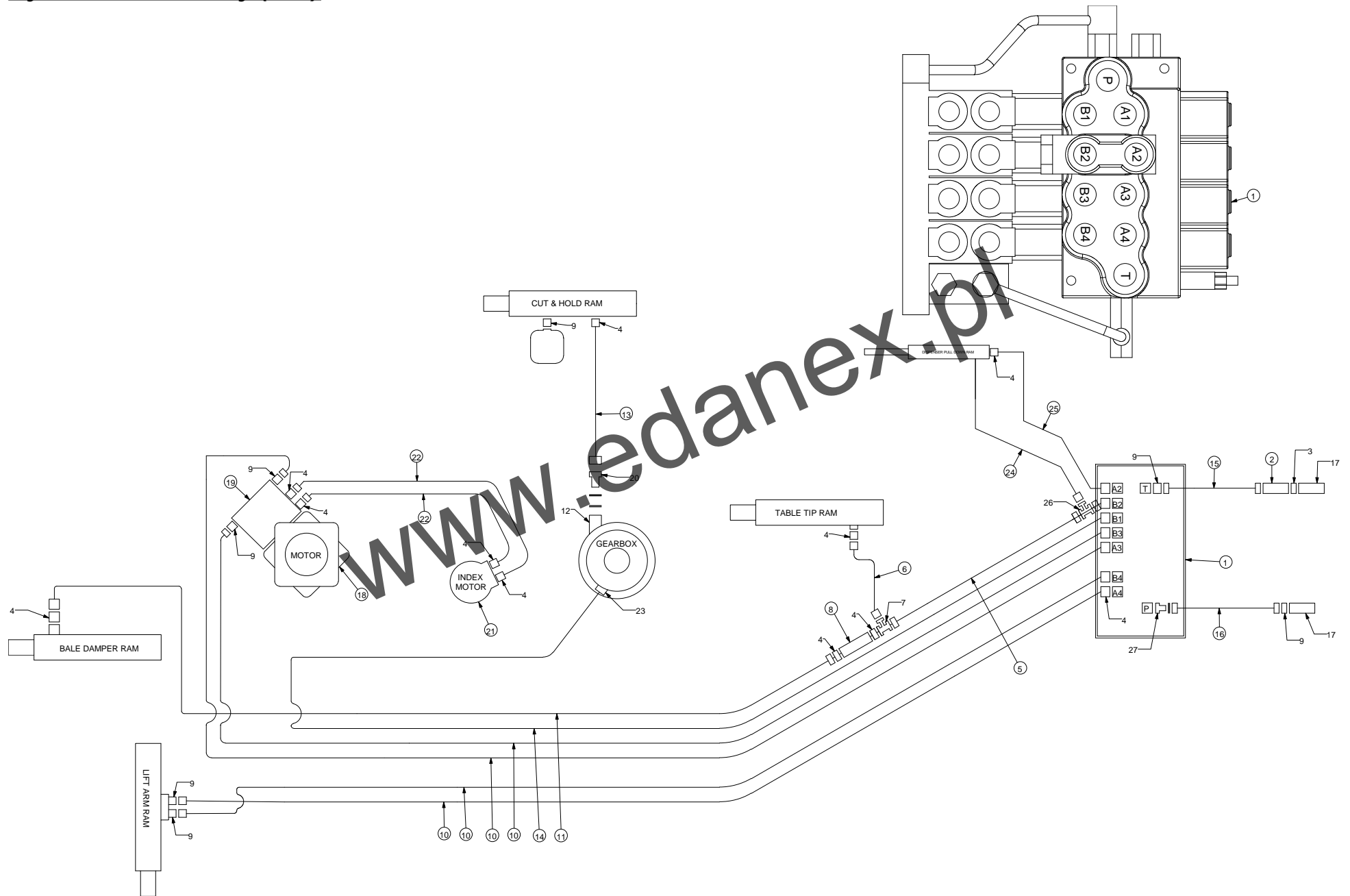


No.	Part No	Description	Qty
1	ABD00007	SIDE TIP MAT FRAME	1
2	CBE00002	BUFFER RUBBER 50X21 M10X28	3
3	ABD00013	SIDETIPPIPEASSY	1
4	ABD00015	SIDE TIP PIVOT PIN ASSEMBLY	1
5	CFA00024	SETSCREW M10X25 ZIP	1
6	CFA00137	WASHER SPRING 10MM H.D ZIP	1
7	ABD00008	SIDE TIP DAMPER FRAME	1
8	ABD00001	BALE DAMPER SLIDE	1
9	CFA00151	SETSCREW MI 6X40 Z/P	4
10	CFA00128	NUT MI6 NYLOC	4
11	CFA00123	NUT MIO NYLOC	3
12	CFA00118	GREASE NIPPLE M8XI.25 STRAIGHT	6
13	CMH00066	PIN 25X135&8MM C.HOLE	1
14	CMH00095	PIN 25XI06&8MM C.HOLE	1
15	ABD00021	SIDE TIP EXTENSION	1
16	CFA00135	WASHERFLATZIP	2
17	CFA00138	WASHERFLAT12MMZ/P	2
18	CRA00038	RAM BALE DROPPER 50MM PLUNGER	1
19	CRA01038	RAM TOP - ADJUSTABLE	1
20	CFA00118	GREASENIPPLEM8XI.25STRAIGHT	1
21	CSE00038	SEAL KIT BALE DAMPER RAM	1
22	CRA00138	NUT RAM ROD BALE DROPPER	1
23	ABD00009	SIDE TIP ARM ASY	1
24	N/A	USE ITEM 23	0
25	CMH00152	PIN 25X80&8MM C.HOLE	1
26	CMH00063	BUSH 25X90X39 STEPPED PLASTIC	1
27	CFA00010	ROLL PIN 8X50 Z/P	1
28	CFA00135	WASHERFLATZIP	2
29	CFA00194	LINCH PIN PIPE IOMMX5OMM	1
30	CMH00403	PIN25XI7OZIPMILLEDFORCAP	2
31	CZF00292	6MM L CAP LONG FOR 25MM PINS	2
32	CBE00009	MAT SIDE TIP BALE DAMPER	1
33	CFA00078	SETSCREW MI2X30 CUP SQ Z/P	2
34	CFA00124	NUT MI2 NYLOC	2
35	CSG00020	SPRING TOR 7.62X42X42X6	1

No.	Part No	Description	Qty
-----	---------	-------------	-----

www.edanex.pl

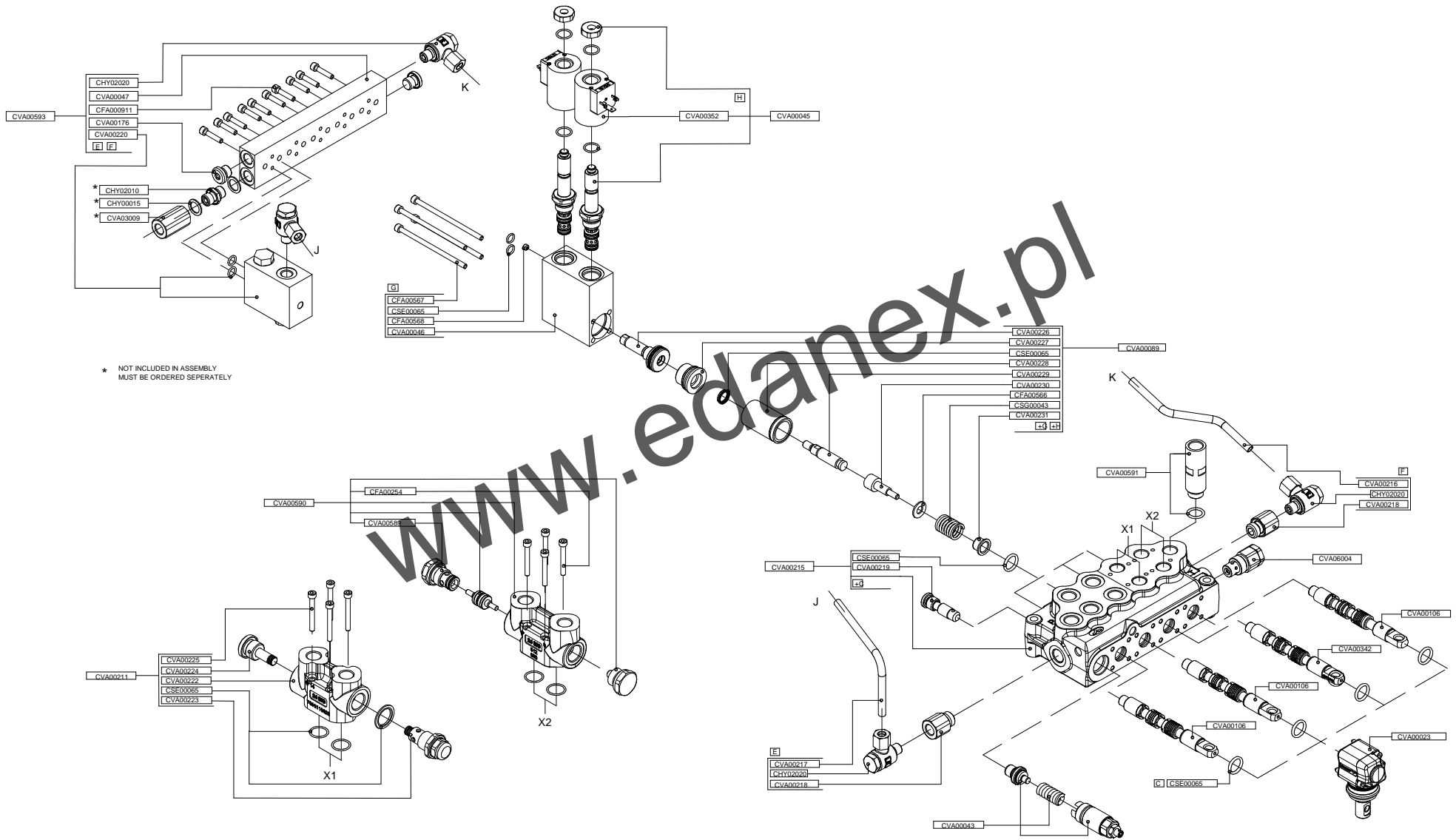
# Hydraulic assembly (576)



No.	Part No	Description	Qty
1	CVA00009	VALVE CTL 4 BANK ELECTRONIC	1
2	CVA02999	VALVE NON RET 1/2" 0.5BAR	1
3	CHY02013	ADAPTOR 1/2" BSP M/M	1
4	CHY02002	ADAPTOR 3/8" BSP M/M	16
5	CHY00084	HOSE - TABLE TIP FRONT	1
6	CHY00086	HOSE - TEE TO TABLE TIP	1
7	CHY02097	T PIECE 3/8" M-M-F	1
8	CVA03007	VALVE RESTRICTOR 3/8"	1
9	CHY02008	ADAPTOR 1/2" M 3/8" M	7
10	CHY00082	HOSE - LIFTARM MOTOR FEED/RETURN	4
11	CHY00085	HOSE - TEE TO MATFRAME	1
12	CHY02098	ADAPTOR 3/8" BSP M-F	1
13	CHY00087	GEARBOX TO CUT & HOLD	1
14	CHY00256	HOSE - VALVE TO GEARBOX CUT & HOLD	1
15	CHY00089	HOSE - HOSE 1/2"X2400 M 90	1
16	CHY00088	TRACTOR TO VALVE FEED	1
17	CHY02015	QR 1/2" MALE PARKER 7V14G4X4	2
18	CMT00002	MOTOR 250CC 4BOLT 11-1/4" TAPER	1
19	CVA00341	VALVE SLOW SPEED 991BE TWIN DISP	1
20	CHY00098	ADAPTOR 3/8" BANJO BOLT	2
21	CMT00050	MOTOR (INDEXING)	1
<i>UP TO SERIAL NO. 58613</i>			
21	CMT00068	MOTOR 390CC 25SHAFT 2BOLT	1
<i>FROM SERIAL NO. 58614</i>			
22	CHY00257	HA06 0520WJ-F0600N-F0600N-000	2
23	CHY02529	HYD ADAPTOR M/M 1/4" 1/8"	1
24	CHY00259	HOSE - PULL DOWN ARM TO VALVE	1
25	CHY00258	HOSE - PULL DOWN ARM TO TEE	1
26	CHY02474	T PIECE 3/8"-1/4"-3/8" M-M-F	1
27	CHY00098	ADAPTOR 3/8" BANJO BOLT	1
<i>UP TO SERIAL NO. 58919.</i>			
27	CHY02625	BANJO BOLT 3/8"-1/4" FEMALE	1
<i>FROM SERIAL NO. 58920.</i>			

No.	Part No	Description	Qty
-----	---------	-------------	-----

# Hydraulic control valve (715)

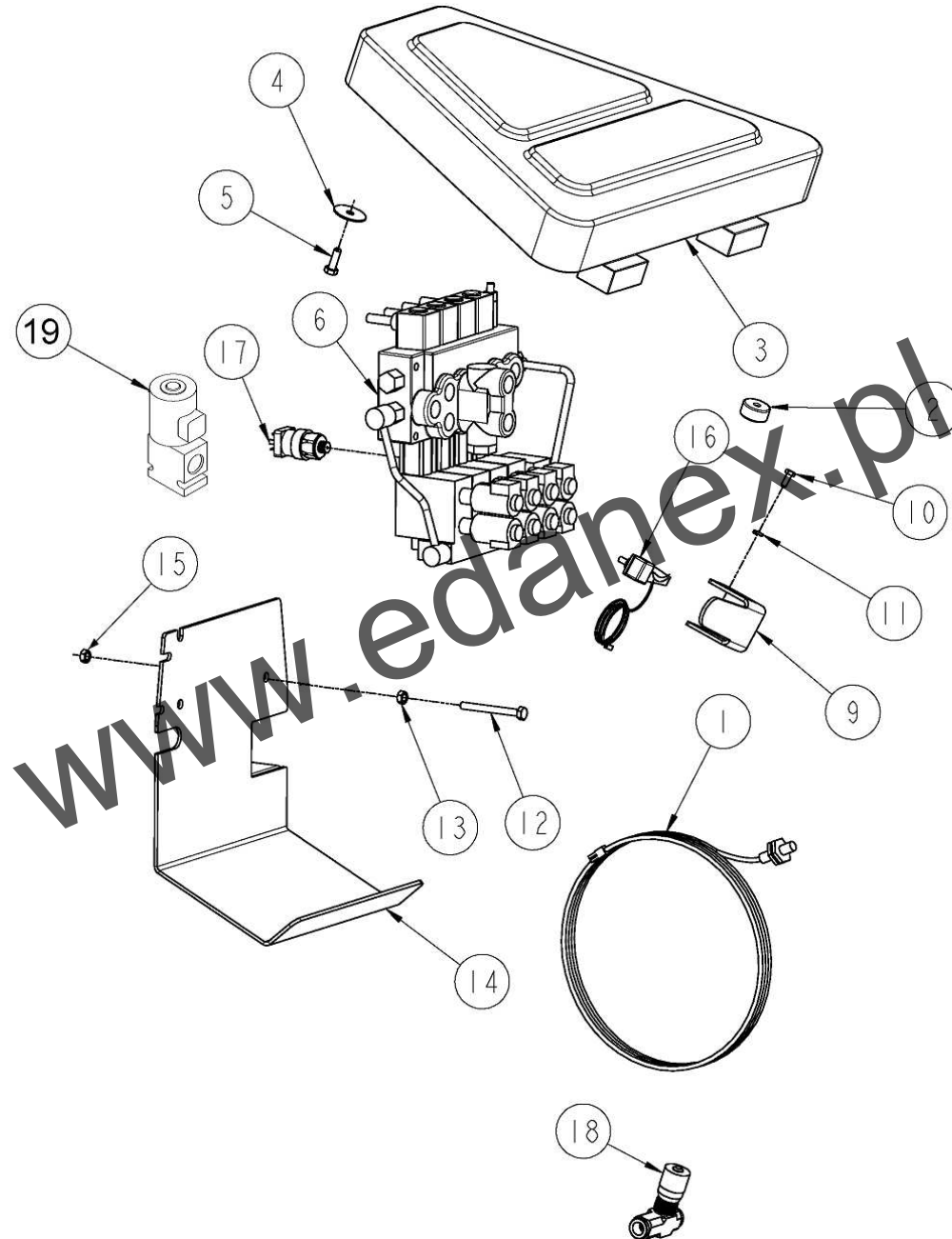




No.	Part No	Description	Qty
0	CVA00009	VALVE CTL 4 BANK ELECTRONIC 1	1
1	CVA00215	SD5 VALVE BLOCK	1
2	CVA00045	CTE+SOLENOID ELEC VALVE	8
2a	CVA00235	12VDC COIL SOLENOID	1
3	CVA00046	VALVE BLOCK SOLENOID ELEC	4
4	CVA00043	VALVE RELIEF FOR SD5	1
5	CVA00023	LEVER PIVOT BOX 5D5 M8	4
6	CVA00593	SERVO MANIFOLD ASY	1
7	CVA00342	SPOOL TIP 991BE TWIN	1
8	CVA00106	SPOOL SD5 DBL ACTING	3
9	CVA00047	ALU MANIFOLD ELEC CTL VALVE	1
10	CVA00216	T/KE-SD5IPSA-PIPE	1
11	CVA00217	P/KE-SD5IPSA-PIPE	1
12	CVA06004	PLUG OPEN CTR ELEC VALVE	1
12a	CVA06001	PLUG CLOSE CTR	1
<i>USE ONLY ON CLOSED CENTRE HYD SYSTEMS - NOT PART OF ASY - MUST ORDER SEPARATELY</i>			
13	CVA00591	ADAPTOR G 3/8 STEM	1
14	CHY02020	ADAPTOR 1/4" BANJO ASY	4
15	CVA00218	G3/8"- G1/4" ADAPTOR	2
16	CVA00219	VR SD5 KIT CHECK	1
17	CVA00220	PRESSURE CONTROL BLOCK	1
18	CVA00176	PLUG BSP 1/4"	3
19	CFA00911	M5X25 SOC CAP SCREW	10
20	CVA00222	P3 SD5 BSP 3/8 BODY	1
21	CVA00223	P(G4-200)/SD5-SD11 CARTRIDGE	1
22	CVA00224	P3T/SD5-SD11 REPLACING PLUG	1
23	CVA00225	M5X45-12.9 UNI-5931 SOC CAP SCREW	4
24	CVA00211	RELIEF VALVE BLOCK ASY	1
25	CVA00226	PISTON SD5 SERVO	4
26	CVA00227	SEAL GLAND SD5 SERVO	4
27	CSE00065	SEAL KIT 4 BANK ELEC	4
28	CVA00228	SPACER SD5 SERVO	4
29	CVA00229	ROD SD5 SERVO	4
30	CVA00230	CONNECTING ROD 5D5 SERVO	4
31	CFA00566	WASHER 5D5 SERVO	4
32	CSG00043	SPRING SD5 SERVO	4
33	CVA00231	CUP SD5 SERVO	4
34	CFA00567	M5X100 8.8 UNI 5931 SCREW	16
35	CFA00568	M6x4.5-Fc=I SCREW	4
36	CVA00089	ELECTRIC SERVO SD5 B	4
37	CVA00590	PO CHECK ASM VBP5	1

No.	Part No	Description	Qty
38	CFA00254	M5X40 SOC CAP SCREW	4
39	CVA00589	VBP5 CHECK VALVE	1
40	CVA03009	VALVE DUMP 60 BAR	1
<i>NOT PART OF ASSEMBLY - MUST ORDER SEPARATELY</i>			
41	CHY02010	ADAPTOR 1/4" BSP	1
<i>NOT PART OF ASSEMBLY - MUST ORDER SEPARATELY</i>			
42	CHY00015	WASHER DOWTY 1/4"	2
<i>NOT PART OF ASSEMBLY - MUST ORDER SEPARATELY</i>			

**Hydraulic components (579)**

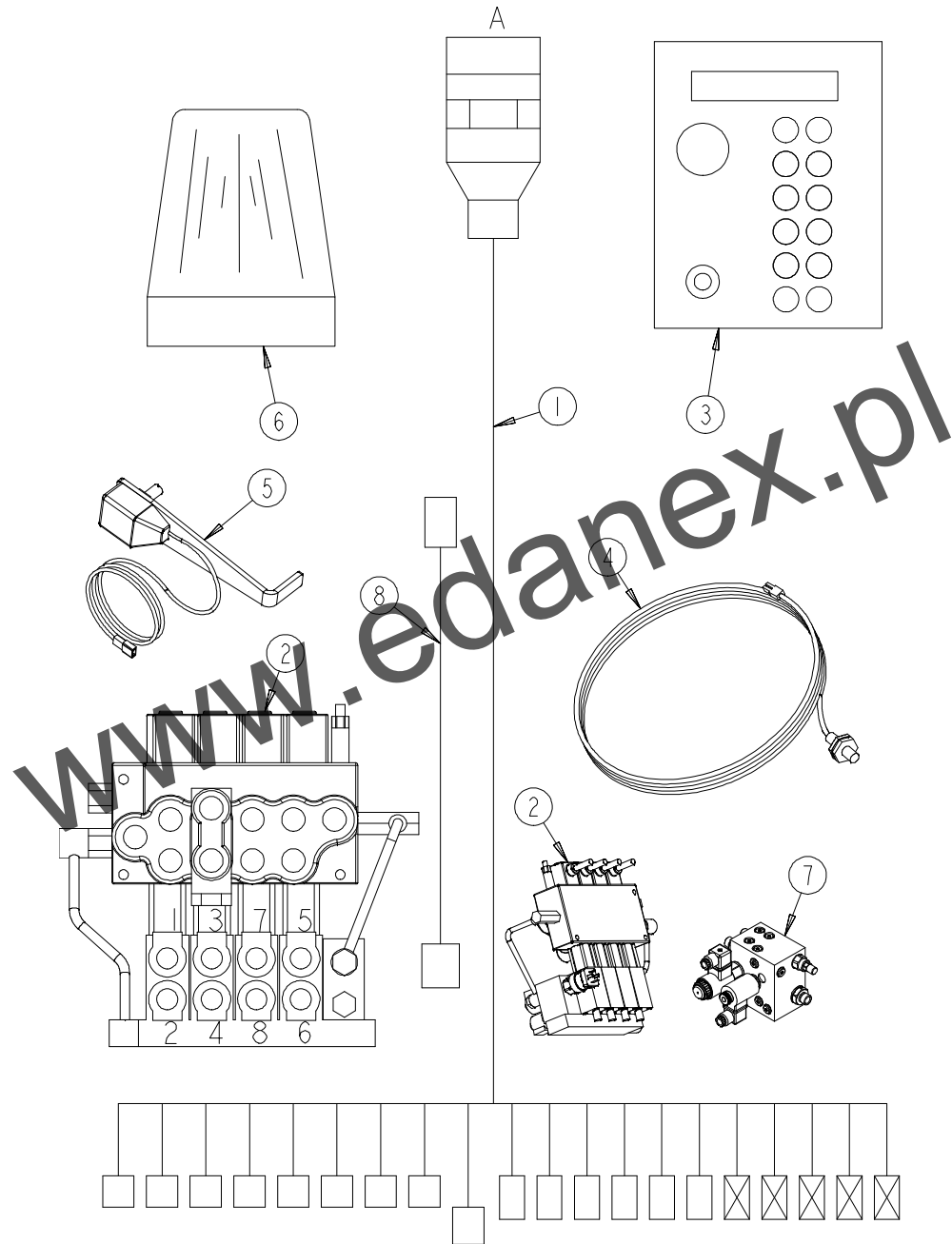


No.	Part No	Description	Qty
1	CEL00036	SENSORCABLE5M	1
2	CEL00017	MAGNETBLUEWHEEL	4
3	CPL00021	VALVE COVER 991 BE PLAS	1
4	CFA00149	WASHER MUDWING M8 38MM OD	1
5	CFA00407	BOLTM8X25ZIP	1
6	CVA00009	VALVE CTL 4 BANK ELECTRONIC	1
9	CZD02137	4mm L LIFTARM SENSOR BRACKET	1
10	CFA00454	SETSCREW M6 X 1 6 ZIP	4
11	CFA00396	WASHERSPRINGM6Z/P	4
12	CFA00057	SETSCREWM8X8OZIP	3
13	CFA00133	NUTM8Z/P	3
14	ACH00012	GUARD VALVE PROTECTION ELEC	1
15	CFA001 32	NUT M8 NYLOC Z/P	3
16	CEL00164	POTENTIOMETER 991 LIFTARM	1
17	CEL00008	SWITCH PRESSURE 2000PS	1
18	CVA03007	VALVE RESTRICTOR 3/8 □	1
19	CVA00579	POPET VALVE COMPLETE	1

No.	Part No	Description	Qty
-----	---------	-------------	-----

www.edanex.pl

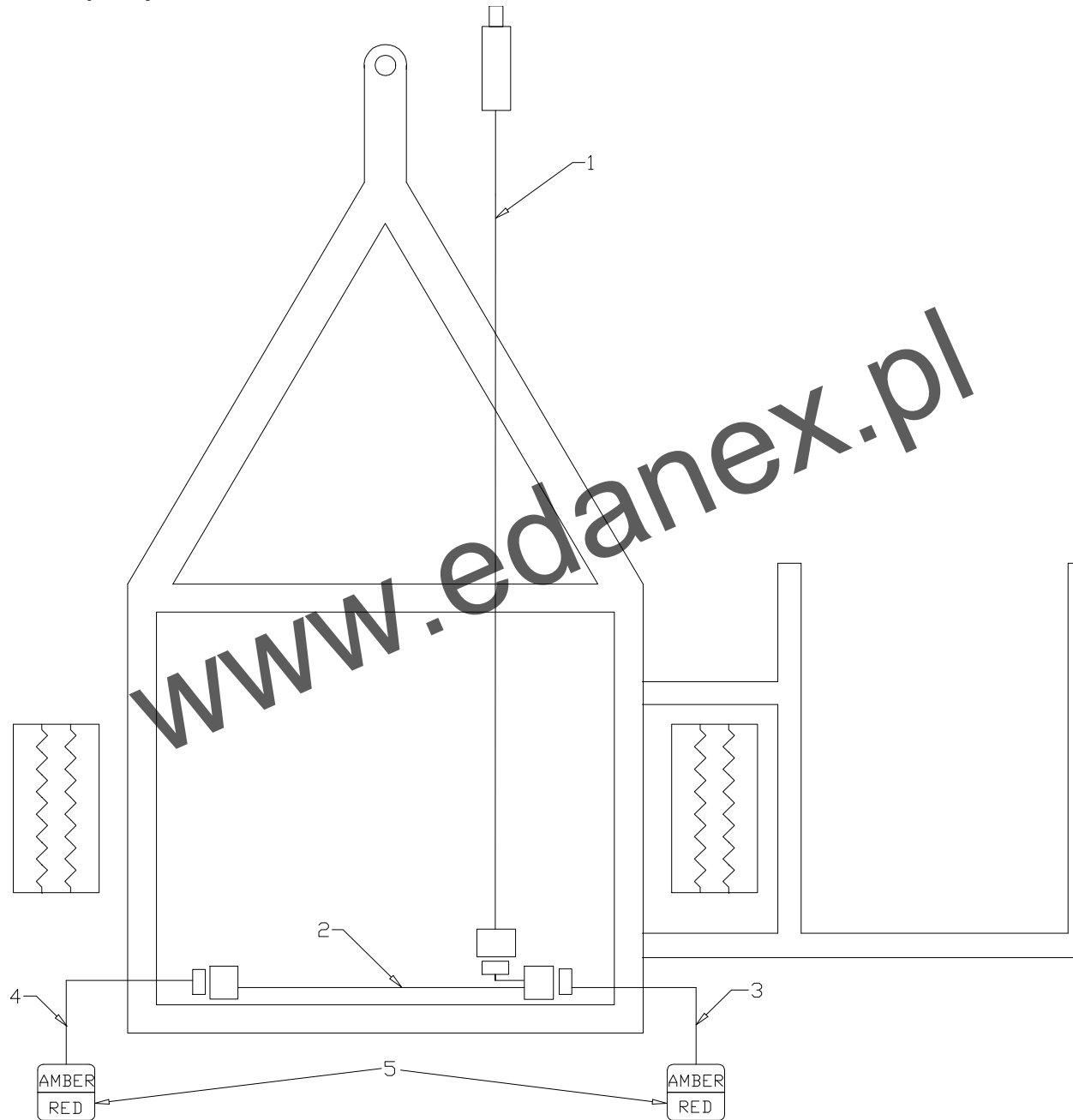
**Electrical assembly (581)**



No.	Part No	Description	Qty
1	CEL00087	LOOM AUTO ELECTRONIC 37 PIN	1
2	CVA00009	VALVE CTL 4 BANK ELECTRONIC	1
3	CEL00071	CTLR AUTO EXPERT TRAILED	1
4	CEL00036	SENSOR CABLE 5M	3
5	CEL00164	POTENTIOMETER 991 LIFTARM	1
6	CEL00292	BEACON XENON AMBER	1
7	CVA00341	VALVE SLOW SPEED 991BE TWIN DISP	1
8	CEL00113	LOOM EXT SOLENOID 3M	2

No.	Part No	Description	Qty
-----	---------	-------------	-----

www.edanex.pl



No.	Part No	Description	Qty
	CEL00024	LIGHTING KIT 99ITRAILED	1
1	CEL00069	LOOM LIGHTING KIT TRAILED	1
2	CEL00121	LOOM LIGHTS JOINER 991	1
3	CEL00067	LIGHT 991 TRAILED LIFTARM	1
4	CEL00068	LIGHT 991 TRAILED CHASSIS	1
5	CEL00120	LIGHTING REAR LENS TRAILED	2

No.	Part No	Description	Qty
-----	---------	-------------	-----

www.edanex.pl

Remote control option (577)

REMOTECONTROL -RADIOCONTROL TYPE





No.	Part No	Description	Qty
1	KST00053	KIT RADIO REMOTE & BEACON 991BE	1
2	CZC04362	BRACKET REMOTE TRANSMITTER.	1
3	CEL00665	RECEIVER	1
4	CEL00664	HAND PIECE	1
5	CEL00292	BEACON XENON AMBER	1
6	CEL00293	EXTENSION BEACON 2.8M	1
7	CEL00220	WARNING BUZZER	1
8	ADP00160	BRACKET BEACON XENON	1

No.	Part No	Description	Qty
-----	---------	-------------	-----

www.edanex.pl