

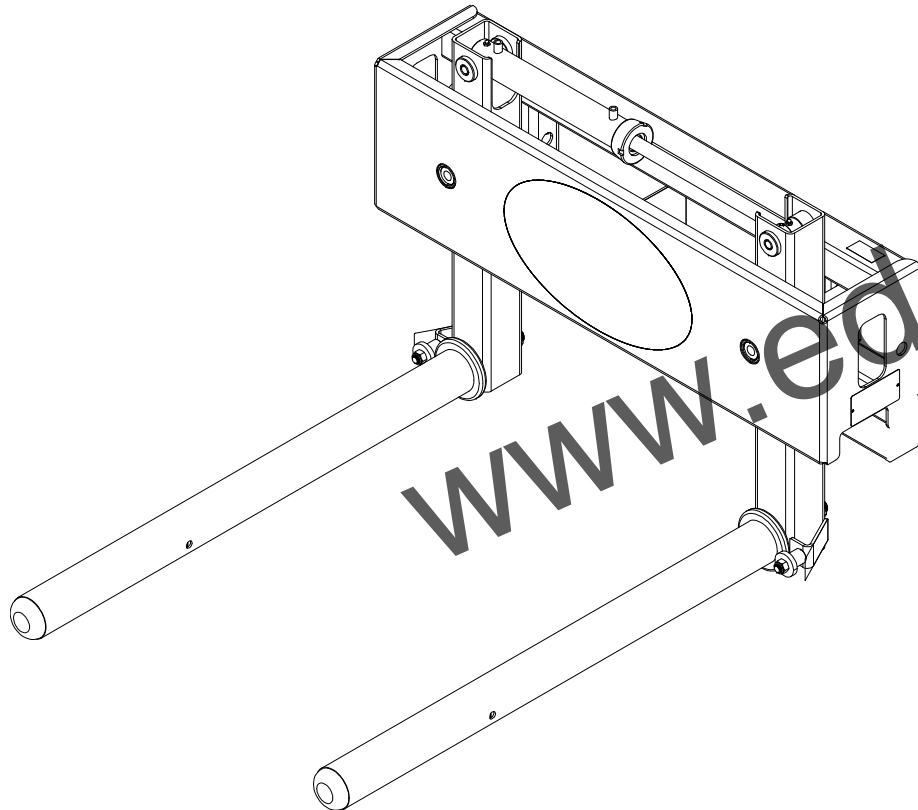
McHale *ENGINEERING*



QUALITY

I.S. EN ISO 9001:2008

NSAI Certified



691BH

Spare Parts Book

www.edanex.pl

McHale Engineering,
Castlebar Rd, Ballinrobe,
Co. Mayo, Ireland.
Tel: +353 94 9520300
Fax: +353 94 9520356
Email: sales@mchale.net
Website: www.mchale.net

www.edanex.pl

This page is intentionally left blank

Introduction

The **McHale 691BH** which you have purchased has been developed through years of constant research and development. Given proper care and attention the **691BH** will give years of reliable and dependable performance. However it is important that the operators manual is read and fully understood to achieve this, **before** the machine is operated. As part of this philosophy it is vital to use only **genuine McHale** replacement parts, as these are manufactured to the same high standard as the original machine. These may be obtained through your **McHale** dealer.

If any part of this manual is not fully understood, please contact your **McHale** dealer who will be able to answer any questions or queries that you might have. It is important to quote the machine serial number when requiring spare parts or technical assistance. Space is provided below to record the machine details:

Serial number:	
Year of manufacture:	
Date of delivery:	

If you require further copies of this spare parts manual please quote part number CLT00350

Note: Parts described as left and right are done so according to the direction that the machine normally travels in.

Note: Due to a policy of continuous product development and improvement *McHale Engineering* reserve the right to alter machine specifications without prior notice.

Contents

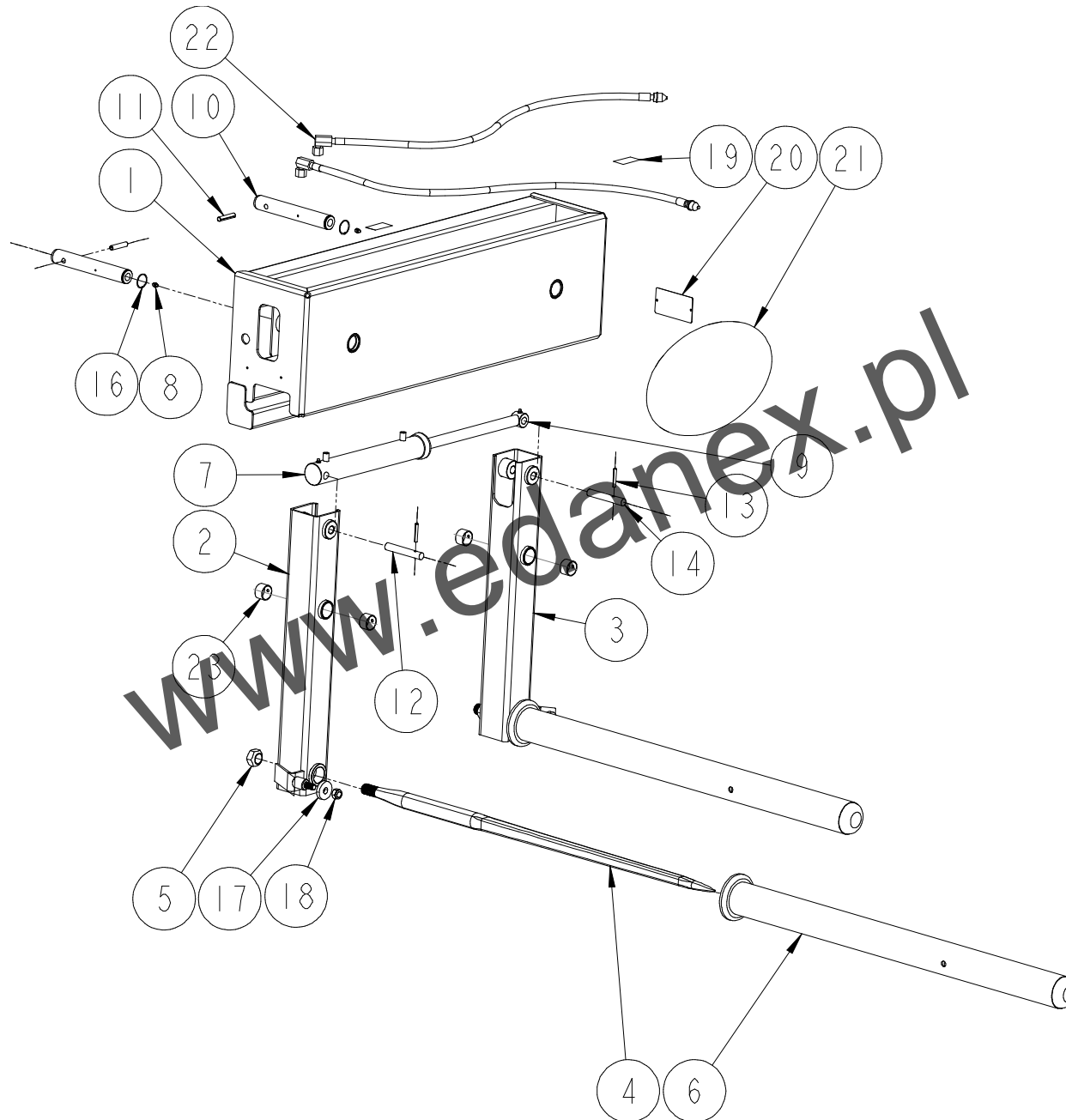
Section	Document No	Section	Document No
691BH Chassis (485)	SPD00485		

www.edanex.pl

www.edanex.pl

This page is intentionally left blank

Chassis (485)



No.	Part No	Description	Qty
1	ABH00001	BH FRAME	1
2	ABH00002	BH ARM RH	1
<i>INCLUDES 2x ITEM 23</i>			
3	ABH00003	BH ARM LH	1
<i>INCLUDES 2x ITEM 23</i>			
4	CTN00002	TINE 48" STN FORK SHW CON2	2
5	CFA00211	NUT TINE M28 STN FORK SHW	2
6	ABH00004	BALE HANDLER TINE ROLLER	2
7	CRA00026	RAM BH RD	1
7a	CSE00026	SEAL KIT RAM BH	1
8	CFA00111	GREASE NIPPLE MIOXI.5 STRAIGHT	2
9	CRA10026	RAM ROD ROUND BH	1
10	CMH00143	PIN 38X257&MIO THREAD	2
11	CFA00110	ROLLPINI2X60 MIKALOR ONLY	2
12	CMH00155	PIN I9XI22&8MM C.HOLE 2I	1
13	CFA00010	ROLL PIN 8X50 Z/P	2
14	CMH00190	PIN 19X122&8MM C.HOLE 35	1
15	CFA00111	GREASE NIPPLE MIOXI.5 STRAIGHT	2
16	CFA00112	SNAP RING I 1/2"	2
17	CZH00128	WASHER IOMM L BALEHANDLER	2
18	CFA00128	NUT M16 NYLOC	2
19	CST00019	DECAL CRUSHED HAND MCH-005	2
20	CST00037	SERIAL NUMBER BH RD	1
21	CST00091	DECAL MCHALE SQ BH	1
22	CHY00019	HYDAULIC HOSE KIT	1
23	CBR00015	BEARING GLACIER 1½ " x1" OX	4
KIT	ABH00005	KIT FRAME REPAIR LEG PIN & BUSH	1
<i>REPAIR-KIT INCLUDES ITEMS 8, 10, 11, 16, 23 + MAIN WELD-IN PIVOT-BUSHES FOR ITEMS 1, 2 & 3</i>			

No.	Part No	Description	Qty
-----	---------	-------------	-----

www.edanex.pl